



**9000AC & 9000AF**

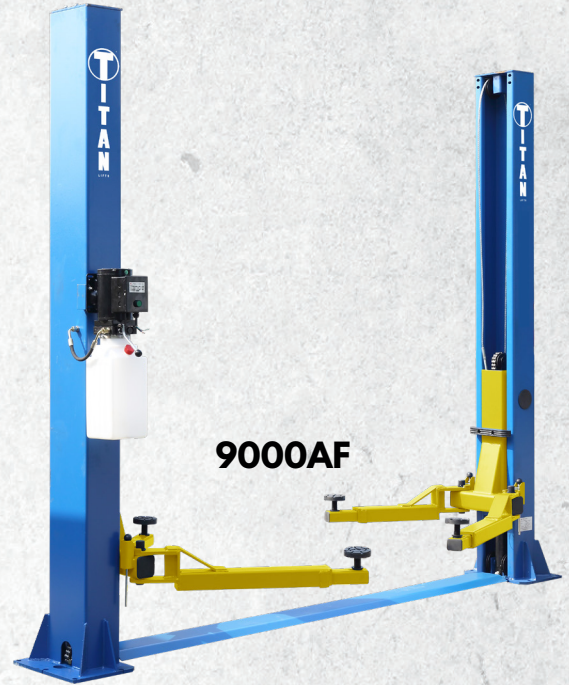
**9,000 LB.  
CAPACITY**

## FEATURES

- Commercial Grade
- Asymmetric Arm Design
- Free Mounting Hardware
- Symmetric Column Design
- Dual Point Safety Release
- Powder-Coated Finish
- Low Profile Automatic Arm Restraints
- Dual Cylinders w/Low Friction Chain Rollers
- Threaded Lifting Pads and Stackable Height Adapters
- 1 Year Electric/Hydraulic Warranty
- 5 Year Structural Warranty

## AC SPECIFICATIONS

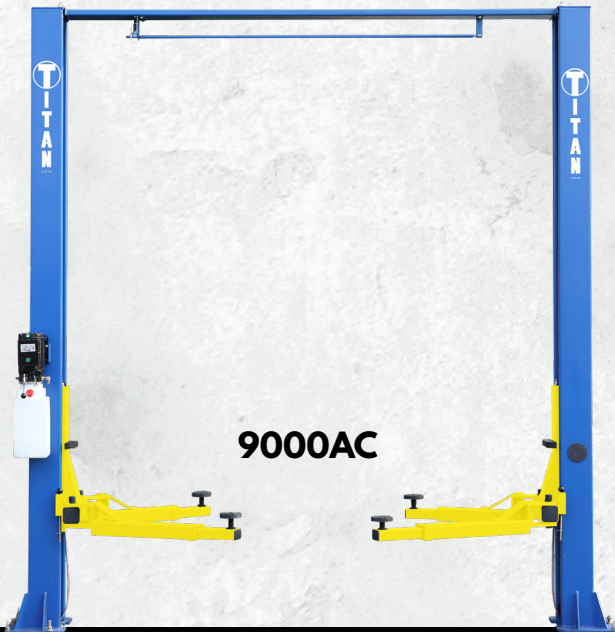
Power Unit: 220V  
 Amp Draw: 15-26 amp  
 Lifting Speed: 45 sec  
 Width: 137.8"  
 Height: 142.95"  
 Width Between Posts: 113.62"  
 Drive Thru Clearance: 103.98"  
 Lifting Height: 4.65" - 72.84"



**9000AF**

## AF SPECIFICATIONS

Power Unit: 220V  
 Amp Draw: 15-26 amp  
 Lifting Speed: 45 sec  
 Width: 134-5/8"  
 Height: 112"  
 Width Between Posts: 110-3/8"  
 Drive Thru Clearance: 100-5/8"  
 Lifting Height: 4-5/8" - 72-3/4"



**9000AC**

**TITANLIFTS.COM**  
 888-908-4826