



INSTALLATION, OPERATION, & MAINTENANCE MANUAL



MODEL:

**SJ-35
3,500LB SLIDING BRIDGE JACK**

⚠ FOLLOW THIS MANUAL CAREFULLY TO ENSURE THE MACHINE WILL FUNCTION CORRECTLY AND PROVIDE MANY YEARS OF DEPENDABLE SERVICE. FAILURE TO FOLLOW THESE INSTRUCTIONS AND SAFETY WARNINGS MAY RESULT IN PERSONAL INJURY OR PROPERTY DAMAGE. USE OF SAFETY JACK STANDS ARE RECOMMENDED - SOLD SEPARATELY. KEEP THIS MANUAL IN A SAFE DRY PLACE FOR FUTURE REFERENCE.



TITAN MARKETING, LLC

PO Box 7069 Greenwood, IN 46142
1.888.908-4826 FAX (317) 215.2770
www.titanlifts.com

To Our Valued Customers:

Thank you for purchasing a Titan Lifts® product. We hope this high quality equipment provides you with years of dependable service.

It is unfortunate that rare situations may occur with the products you purchase from Titan Lifts®. We value your business as well as the trust you have and need to maintain your relationship with us. Titan Lifts® carries liability coverage that may protect our customers if a situation does occur. However, as in all accidents there must be proof of liability for a claim to be made. Our insurance company requires the following procedures be observed in order to consider a claim:

- A. The claimant must contact the Titan Lifts® distributor immediately with the facts of the situation.
- B. If any equipment is damaged, including vehicles or shop equipment, Titan Lifts® must be given the opportunity to send an impartial representative to the site for proper assessment of the situation.
- C. The Vehicle cannot be moved until either an impartial representative has reviewed the accident or clear and precise pictures are taken that reflect all the pertinent information for an impartial representative to be able to access the information from a distance. Titan Lifts® or its representatives must approve the pictures before anything can be moved.
- D. If any potential liability is determined on behalf of Titan Lifts®, two estimates must be submitted for damages to be reimbursed.

It is imperative that the claimant complies with these procedures, because without proper assessment of the situation a claim will be denied.

ARBITRATION NOTICE

The installation or use of this equipment shall constitute an acknowledgement that the user agrees to resolve any and all disputes or claims of any kind whatsoever, which relate in any way to the equipment, by way of binding arbitration, not litigation. No suit or legal action may be filed in any state or federal court. Any arbitration shall be governed by the Federal Arbitration Act, and administered by the American Mediation Association, Indianapolis Indiana. The maximum amount that an arbitrator may award and all damages shall not exceed the retail value of this equipment.

WARRANTY NOTICE

This equipment must be assembled and used in the manner according to the documentation provided to be covered by warranty.


Damaged or missing components must be reported within 72 hours of receipt to your freight carrier and to the distributor. Claims must be filed to cover cost.

If you have any questions or if we can be of any further assistance, please don't hesitate to contact a Titan Lifts® representative at 1-888-908-4826. Thank you for the opportunity to continue to serve your lift equipment needs.

CONTENTS

INSTRUCTIONS	1
UNPACKING AND SET-UP	1
OPERATION & MAINTENANCE.....	1
SAFETY PRECAUTIONS	1
PARTS DIAGRAM	2
PARTS LIST	3

INSTRUCTIONS


 **WARNING:** READ ENTIRE MANUAL AND COMPLY WITH ALL SAFETY AND SERVICE PRECAUTIONS. DEATH, PERSONAL INJURY AND / OR PROPERTY DAMAGE MAY OCCUR IF INSTRUCTIONS ARE NOT FOLLOWED CAREFULLY.

UNPACKING AND SET-UP

1. Carefully unpack the lift making sure that all of the parts have been included.
2. Make sure to use the lift on a clean, smooth solid surface.
3. Place the lift saddles firmly positioned on the frame, solid surface, or manufacturers recommended lifting points prior to lifting.

OPERATION & MAINTENANCE


1. All moving parts have been lubricated at the factory and should be re-lubricated before the first use and at least once every six months to prevent damage.
2. Do not use this product if worn or damaged. Examine lift for structural cracks, bends, or other signs of damage prior to each use to ensure safe proper working condition.
3. Keep the lift clean, dry, and well maintained to extend longevity of the product.
4. When not in use, the lift must be stored in the lowest position, in a dry location.
5. Use this as a secondary lift with a balanced load that is firmly positioned and secured at all times.

 **IMPORTANT:** THIS LIFT IS DESIGNED TO BE USED IN CONJUNCTION WITH A 4-POST AUTOMOTIVE LIFT. IT IS INTENDED FOR TEMPORARILY LIFTING AND LOWERING A VEHICLE. IT IS NOT FOR STORAGE OR FOR TRANSPORTING LOADS. **DO NOT** LEAVE A VEHICLE ON THE LIFT FOR AN EXTENDED PERIOD OF TIME. DAMAGE TO THE JACK OR OTHER PROPERTY MAY RESULT.

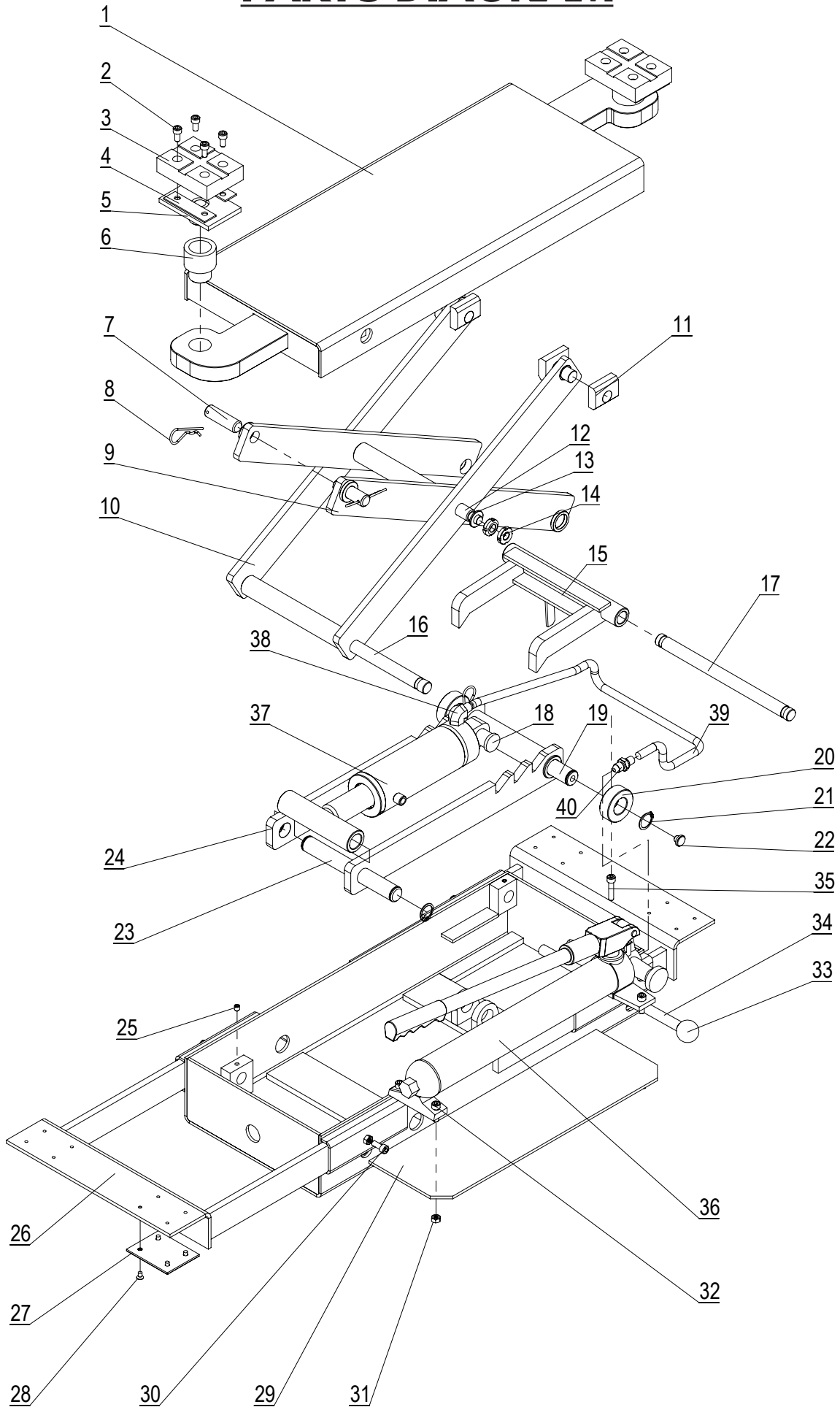
SAFETY PRECAUTIONS

1. Load should not exceed rated capacity for this lift – 3,500lb
2. Only trained people should operate the lift.
3. Indoor use recommended.
4. Do not move the lift while loaded.
5. Keep hands, tools, and other extremities from any moving parts.
6. Maintain a safe working environment. The work area should be clean, dry, clutter free and sufficiently lit.
7. Wear proper safety attire. Do not wear loose fitting clothing while operating lift, long hair and sleeves should be secured.
8. Keep children and bystanders away from work area. Do not let children operate or play on lift.
9. Do not use if under the influence of drugs or alcohol. Operator must be alert at all times when using heavy lift equipment.
10. Never operate the lift with someone on it.
11. Use this lift only for the work it is intended. Do not use this product for an application for which it was not designated. Misuse can lead to personal injury and/or property damage.
Set the safety bar (27) in the appropriate position to prevent lift from lowering. Lower the lift against the safety bar prior to performing work.
12. Place safety jack stands (not included) under the vehicle to prevent the vehicle from falling in case the jack should lower unexpectedly.

 **WARNING:** NEVER GO UNDER A RAISED VEHICLE UNLESS THERE ARE SAFETY JACK STANDS IN PLACE.

 **WARNING:** VEHICLE WHEELS MUST BE CHOCKED & PARKING BRAKE SET PRIOR TO USING THIS LIFT.

PARTS DIAGRAM



PARTS LIST

PART #	CODE	DESCRIPTION	QTY
1	TT-4111-02-00	UPPER PANEL	1
2	GB70.1-2000 M8×12	INNER SOCKET HEAD CAP SCREW	8
3	QYS-300-10-03-02	STOP SLIDER	2
4	QYS-300-10-03-01	MOLD INSERT	4
5	QYS-300-10-02	SUPPORT PLATE	2
6	TPF4-400-03	SHORT ADAPTER	2
6.1	TPF4-400-03	LONG ADAPTER	2
7	TT-4111-00-01	PANEL SHAFT	4
8	DPF4-3.2-700-03	BAYONET LOCK	3
9	TT-4111-05-00	INNER KNIFE ARM	1
10	TT-4111-04-00	OUTTER KNIFE ARM	1
11	TT-4111-00-02	SLIDING BLOCK	4
12	TT-4111-00-03	MEDIAL AXIS	1
13	GB97.2-1985 D14	FLAT WASHER	2
14	GB812-1988 M14X1.5-N	ROUND NUT	4
15	TT-4111-07-00	SAFETY TEETH	1
16	TT-4111-00-04	SHAFT	1
17	TT-4111-00-10	SAFETY SHAFT	1
18	TT-4111-00-06	CYLINDER SHAFT	1
19	TT-4111-00-07	SAFETY SHAFT	1
20	TT-4111-00-09	ROLLER	2
21	GB894.1-1986 D25	EXTERNAL CIRCLIP	4
22	TT-4111-00-08	RETAINING RING	2
23	TT-4111-00-05	SHAFT	1
24	TT-4111-03-00	SAFETY RACK	1
25	GB78-2000 M8X10	HEXAGON SOCKET SET SCREW WITH CONE POINT	4
26	TT-4111-06-00	DRAWER	2
27	TT-4111-00-12	NYLON BLOCK	4
28	GB819-2000 M6X10	CROSS RECESSED COUNTERSUNK HEAD SCREW	16
29	TT-4111-01-00	BOTTOM FRAME	1
30	GB70.1-2000 M8X20	HEX CYLINDER SCREW	4
31	GB/6170-2000 M8	HEX NUT	4
32	GB70.1-2000 M8X25	HEX NUT	4
33		BAKELITE BALL	1
34	TT-4111-00-11	MANUAL LEVER	1
35	GB70.1-2000 M8X35	HEX CYLINDER SCREW	1
36	TT-4111-MP	HYDRAULIC MANUAL PUMP	1
37	TT-4111-CY	CYLINDER ASSEMBLY	1
38	TT-4122-800-04	RIGHT ANGLE INSIDE AND OUTSIDE FITTING	1
39	TT-4111-00-13	HYDRAULIC HOSE	1
40	QYS-500-08	RIGHT-ANGLE CONNECTOR	1

WARRANTY REGISTRATION

In order to utilize the warranty on this Titan Lifts product, you must register your product with us. The simplest way to do this is to visit [TITANLIFTS.COM/WARRANTIES](https://www.titanlifts.com/warranties) and submit your information online. If you prefer to send your information through the mail, please fill out the form below and send this page to us at :

**Titan Lifts
PO Box 7069
Greenwood, IN 46142**

EQUIPMENT MODEL: _____ SERIAL NUMBER: _____
TYPE OF POWER UNIT: _____ SERIAL NUMBER: _____
DATE OF PURCHASE: _____
PLACE PURCHASED: _____
NAME: _____
STREET: _____
CITY, STATE, ZIP: _____
PHONE: _____
EMAIL: _____

OPT OUT OF PROMOTIONS



In order to receive your warranty, return this card or visit [TITANLIFTS.COM/WARRANTIES](https://www.titanlifts.com/warranties) within 30 days.



LIMITED WARRANTY

The **Titan 2 Post lifts, 4 Post lifts and Bridge Jacks** are backed by a standard **1-year** replacement parts warranty and a **5-year** structural warranty from the date of purchase, to the original purchaser only. The **1-year** replacement parts warranty covers power units, hydraulic cylinders, and all other assembly components such as, but not limited to: turn plates, slip plates, cables, chains, valves, switches etc. This does not cover normal wear items such as, but not limited to: rubber lifting pads and nylon slide blocks. Titan Elite model lifts have been discontinued but still qualify under the same terms as shown above.

Titan SL-6600 Scissor Lifts and PREMIER Series 2 Post Lifts are backed by a **2-year** replacement parts warranty and a **5-year** structural warranty from the date of purchase, to the original purchaser only. The **2-year** replacement parts warranty covers power units, hydraulic cylinders, and all other assembly components such as, but not limited to: valves, switches, capacitors etc. This does not cover normal wear items such as, but not limited to: rubber lifting pads, nylon slide blocks and rubber arm pads.

Titan MRL-6000 Scissor lifts are backed by a standard **1-year** replacement parts warranty and a **5-year** structural warranty from the date of purchase, to the original purchaser only. The **1-year** replacement parts warranty covers power units, hydraulic cylinders, and all other assembly components such as, but not limited to: valves, switches, capacitors etc. This does not cover normal wear items such as but not limited to rubber lifting pads.

Titan ROT-4500 Rotisseries are backed by a standard **1-year** replacement parts warranty from the date of purchase, to the original purchaser only. The **1-year** replacement parts warranty covers components such as, but not limited to: hydraulic cylinders, caster assemblies, bearings etc. This does not cover normal wear items such as, but not limited to, mounting adapters.

Titan Standard Duty and Heavy Duty motorcycle lifts are backed by a standard **1-year** replacement parts warranty from the date of purchase, to the original purchaser only. The **1-year** replacement parts warranty covers power units, hydraulic cylinders, pneumatic cylinders, and all other assembly components such as, but not limited to: cables, caster wheels, valves, switches, wheel vises etc. This does not cover normal wear items such as, but not limited to: rubber wheel vise pads.

Titan Light Duty motorcycle lifts are warranted for replacement parts only to the original purchaser for a period of **90 days** from the date of purchase. This **90 day** replacement parts warranty covers items such as, but not limited to: hydraulic cylinder, casters, pedal assemblies, wheel vises etc. This does not cover normal wear items such as, but not limited to: rubber wheel vise pads.

Titan Bulldog Moto Cradle Wheel Chock is warranted for replacement parts, only to the original purchaser, for a period of **2-years** from the date of purchase.

XL Tool by Titan Wheel Service Machines and Helper Arm Assemblies are backed by a standard **1-year** replacement parts warranty from the date of purchase, to the original purchaser only. The **1-year** replacement parts warranty covers internal boards, motors, pneumatic cylinders, and all other assembly components such as, but not limited to: cabinet, switches, valves, fittings etc. This does not cover normal wear items such as but not limited to: rubber pads, jaw protectors, air hoses, quick nut assemblies.

Titan shop equipment products and accessories are warranted for replacement parts only to the original purchaser for a period of **90 days** from the date of purchase. This **90 day** replacement parts warranty covers products such as but not limited to: EZ -Mover Jacks, Mini Jacks, tie down products, wheel service accessories, Bulldog Moto Cradle Wheel Chock accessories, dollies, stands, Multi-purpose Jacks, etc.

Titan TJ1T, FJ2T, and FJ3T are warranted for replacement parts only to the original purchaser for a period of **1 year** from the date of purchase.

For **all** warranty considerations, Titan Marketing, LLC will supply replacement parts only during the warranty period. The original purchaser is responsible for all shipping, handling, and any labor charges incurred. Hydraulic/Pneumatic cylinders may qualify for exchange under warranty if reported within the first 30 days from date of sale. After the first 30 days from date of sale, a seal kit and installation instructions will be sent for cylinder repairs. All defective parts must be returned to Titan for inspection and examination. Any parts that are found to be defective will be replaced or repaired to proper working order. Other items not listed above may be considered general wear parts and therefore, will not be covered under warranty. These warranties **do not** extend to **defects** caused by ordinary wear, abuse, misuse, shipping damage, improper installation, voltage or lack of required maintenance. Titan Marketing, LLC is **not** to be held responsible for any **failure** that results from an accident, purchaser/operator abuse, neglect, or failure to operate products in accordance with instructions provided in the owner's manual(s) supplied. Damage caused by rain, excessive humidity, corrosive environments or other contaminants are not covered under warranty. **THESE WARRANTIES DO NOT EXTEND TO ANY COSMETIC DEFECT NOT INTERFERING WITH EQUIPMENT FUNCTIONALITY OR ANY INCIDENTAL, INDIRECT, OR CONSEQUENTIAL LOSS, DAMAGE, OR EXPENSE THAT MAY RESULT FROM ANY DEFECT, FAILURE OR MALFUNCTION OF A TITAN MARKETING LLC PRODUCT OR THE BREACH OR DELAY IN PERFORMANCE OF THE WARRANTY.**

P.O. Box 7069 • Greenwood, IN 46142 • Ph. 888-908-4826 • Fx. 317-215-2770 • www.titanlifts.com

 **WARNING** 

The warnings, precautions and instructions in this manual cannot cover all possible conditions and situations that may occur. The operator must understand that the operator must supply common sense and examine caution factors when using this product to determine safety in all circumstances being used.



TITAN MARKETING, LLC

PO Box 7069 Greenwood, IN 46142
1.888.908-4826 FAX (317) 215.2770
www.titanlifts.com

**Patent No.: US 8,104,588 B2
CA 2,729,670**

4/16/18