



INSTALLATION, OPERATION & MAINTENANCE MANUAL



MODEL:

EZM-1500

1,500 LB CAPACITY MECHANICAL VEHICLE POSITIONING JACKS

⚠ FOLLOW THIS MANUAL CAREFULLY TO ENSURE THE EQUIPMENT WILL FUNCTION CORRECTLY AND PROVIDE MANY YEARS OF DEPENDABLE SERVICE. FAILURE TO FOLLOW THESE INSTRUCTIONS AND SAFETY WARNINGS MAY RESULT IN PERSONAL INJURY OR PROPERTY DAMAGE. KEEP THIS MANUAL IN A SAFE DRY PLACE FOR FUTURE REFERENCE.



TITAN MARKETING, LLC

PO Box 7069 Greenwood, IN 46142
1.888.908-4826 FAX (317) 215.2770
www.titanlifts.com

To Our Valued Customers:

Thank you for purchasing a Titan Lifts® product. We hope this high quality equipment provides you with years of dependable service.

It is unfortunate that rare situations may occur with the products you purchase from Titan Lifts®. We value your business as well as the trust you have and need to maintain your relationship with us. Titan Lifts® carries liability coverage that may protect our customers if a situation does occur. However, as in all accidents there must be proof of liability for a claim to be made. Our insurance company requires the following procedures be observed in order to consider a claim:

- A. The claimant must contact the Titan Lifts® distributor immediately with the facts of the situation.
- B. If any equipment is damaged, including vehicles or shop equipment, Titan Lifts® must be given the opportunity to send an impartial representative to the site for proper assessment of the situation.
- C. The Vehicle cannot be moved until either an impartial representative has reviewed the accident or clear and precise pictures are taken that reflect all the pertinent information for an impartial representative to be able to access the information from a distance. Titan Lifts® or its representatives must approve the pictures before anything can be moved.
- D. If any potential liability is determined on behalf of Titan Lifts®, two estimates must be submitted for damages to be reimbursed.

It is imperative that the claimant complies with these procedures, because without proper assessment of the situation a claim will be denied.

ARBITRATION NOTICE

The installation or use of this equipment shall constitute an acknowledgement that the user agrees to resolve any and all disputes or claims of any kind whatsoever, which relate in any way to the equipment, by way of binding arbitration, not litigation. No suit or legal action may be filed in any state or federal court. Any arbitration shall be governed by the Federal Arbitration Act, and administered by the American Mediation Association, Indianapolis Indiana. The maximum amount that an arbitrator may award and all damages shall not exceed the retail value of this equipment.


WARRANTY NOTICE

This equipment must be assembled and used in the manner according to the documentation provided to be covered by warranty.

Damaged or missing components must be reported within 72 hours of receipt to your freight carrier and to the distributor. Claims must be filed to cover cost.

If you have any questions or if we can be of any further assistance, please don't hesitate to contact a Titan Lifts® representative at 1-888-908-4826. Thank you for the opportunity to continue to serve your lift equipment needs.

INSTRUCTIONS

 **WARNING:** READ ENTIRE MANUAL AND COMPLY WITH ALL SAFETY AND SERVICE PRECAUTIONS. DEATH, PERSONAL INJURY AND / OR PROPERTY DAMAGE MAY OCCUR IF INSTRUCTIONS ARE NOT FOLLOWED CAREFULLY.

ASSEMBLY AND OPERATION REFER TO PARTS LIST

1. Carefully unpack the positioning jacks making sure that all of the parts and pieces have been included.
2. Find both of the rod assemblies (2) for each positioning jack. Be prepared to attach one to the ratchet assembly (6) and the other to the receiver assembly (29).
3. Insert the rod assembly (2) into the roller (5).
4. Press the rod assembly (2) into the ratchet assembly (6). Use the washer (28), lock washer (27) and bolt (26) to secure everything in place. Repeat this with the other rod assembly (2) and the receiver assembly (29).
5. Install caster with lock (11) to ratchet assembly (6) and receiver assembly (29) using nut (1).
6. Install caster (3) on both rod assemblies (2) using nut (1).

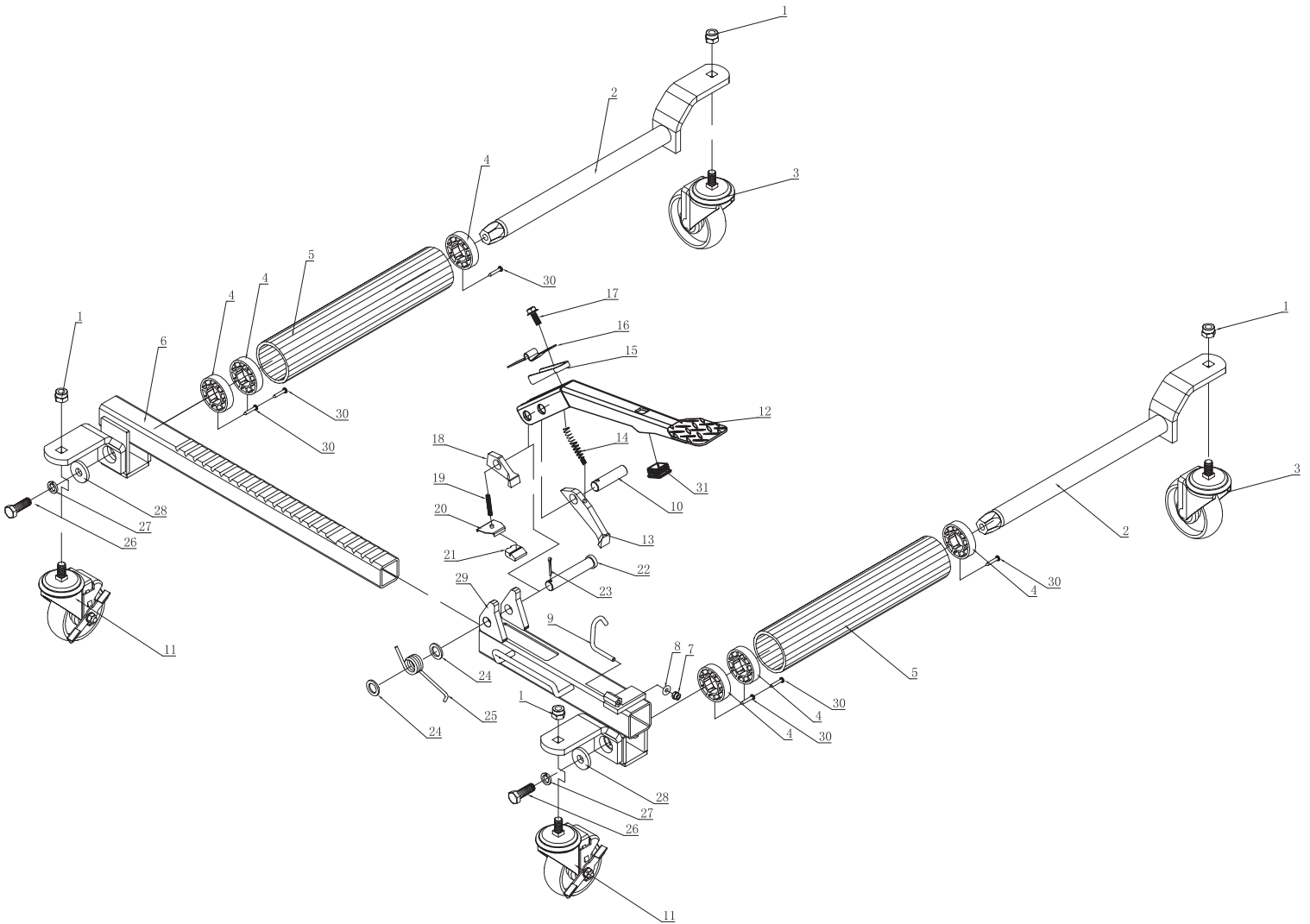
 **WARNING:** BEFORE OPERATING THE POSITIONING JACK, MAKE SURE THAT ALL THE HARDWARE IS SECURE AND THAT EACH UNIT HAS BEEN TESTED PROPERLY.

1. Make sure that the vehicle being lifted is located on a solid flat surface.
2. Slide the positioning jack around the tire so that the rollers (5) are perpendicular to the tire. Make sure that each tire has a positioning jack around it before raising.
3. To raise each tire, pump each foot pedal (12) so that the rollers (5) move together and lift the tire off the ground.
4. **IMPORTANT:** Once raised to the desired height, press the foot pedal (12) down and swing the pedal latch (9) up to secure the foot pedal (12) in place.
5. Once all four tires are resting on the positioning jacks, the vehicle can be pushed into the desired location.
6. To lower the vehicle, flip lever (15) down and pump foot pedal (12) until the weight of the vehicle begins to spread the rollers (5) apart allowing the tire to rest on the ground.
7. Remove the positioning jacks from each tire and secure the foot pedal (12) with the pedal latch (9).

SAFETY PRECAUTIONS

1. Load should not exceed rated capacity for positioning jacks - 1500lbs per jack
2. A vehicle's engine must be turned off and the parking brake must be set before lifting
3. Do not allow people in the vehicle when it is being lifted or moved.
4. Never work underneath the vehicle while it is resting on the positioning jacks.
5. Only trained people should operate the positioning jacks.
6. Indoor use recommended.
7. Keep hands, tools and other extremities away from moving parts.
8. Check for damaged or worn parts that may affect the operation of the jack and replace immediately before use.
9. Maintain a safe working environment. The work area should be clean, dry, clutter free and sufficiently lit.
10. Wear proper safety attire. Do not wear loose fitting clothing while operating lift. Long hair and sleeves should be secured.
11. Keep children and bystanders away from work area. Do not let children operate or play with the equipment.
12. Do not use if under the influence of drugs or alcohol. Operator must be alert at all times when using heavy lift equipment.
13. Use these jacks only for the work they are intended. Do not use this product for an application for which it was not designed. Misuse can lead to personal injury and/or property damage.
Have your positioning jacks serviced by a qualified repair person using only identical Titan Lifts® replacement parts and attachments. This will ensure that the safety of the jacks is maintained.

PARTS DIAGRAM



NO.	DESCRIPTION	QTY	NO.	DESCRIPTION	QTY
1	Nut	4	17	Bolt	1
2	Rod Assembly	2	18	Back Pawl	1
3	Caster	2	19	Spring	1
4	Roller Bearing	6	20	Plate	1
5	Roller	2	21	Retainer	1
6	Ratchet Assembly	1	22	Pin	1
7	Lock Nut	1	23	R-pin	1
8	O-ring	1	24	Washer	2
9	Pedal Latch	1	25	Spring	1
10	Pin	1	26	Bolt	2
11	Caster with lock	2	27	Lock washer	2
12	Foot Pedal	1	28	Washer	2
13	Front Pawl	1	29	Receiver Assembly	1
14	Spring	1	30	Bolt	6
15	Lever	1	31	Square Plug	1
16	Spring Pad	1			



The **Titan 2 Post lifts and 4 Post lifts** are backed by a standard **1 year** replacement parts warranty and a **5 year** structural warranty from the date of purchase, to the original purchaser only. The **1 year** replacement parts warranty covers power units, hydraulic cylinders, and all other assembly components such as, but not limited to: turn plates, slip plates, cables, chains, valves, switches etc. This does not cover normal wear items such as but not limited to rubber lifting pads and nylon slide blocks. Titan **HD2P-9000ACE-D** and **HD2P-9000AFE 2 Post lifts** are backed by a **2 year** replacement parts warranty and a **5 year** structural warranty from the date of purchase, to the original purchaser only. The **2 year** replacement parts warranty covers power units, hydraulic cylinders, and all other assembly components such as, but not limited to: turn plates, slip plates, cables, chains, valves, switches etc. This does not cover normal wear items such as but not limited to rubber lifting pads and nylon slide blocks.

Titan Mid Rise Scissor lifts are backed by a standard **1 year** replacement parts warranty and a **5 year** structural warranty from the date of purchase, to the original purchaser only. The **1 year** replacement parts warranty covers power units, hydraulic cylinders, and all other assembly components such as, but not limited to: turn plates, slip plates, cables, chains, valves, switches etc. This does not cover normal wear items such as but not limited to rubber lifting pads and nylon slide blocks.

Titan Standard Duty and Heavy Duty motorcycle lifts are backed by a standard **1 year** replacement parts warranty from the date of purchase, to the original purchaser only. The **1 year** replacement parts warranty covers power units, hydraulic cylinders, pneumatic cylinders, and all other assembly components such as, but not limited to: cables, caster wheels, valves, switches, wheel vises etc. This does not cover normal wear items such as but not limited to rubber wheel vise pads.

Titan Bulldog Moto Cradle Wheel Chock is warranted for replacement parts, only to the original purchaser, for a period of **2 years** from the date of purchase.

Titan shop equipment products and accessories are warranted for replacement parts only to the original purchaser for a period of **90 days** from the date of purchase. This **90 day** replacement parts warranty covers products such as but not limited to: EZ mover jacks, Mini Jacks, tie down products, shop and Bulldog Moto Cradle Wheel Chock accessories, dollies, stands, Light Duty Motorcycle Lifts, etc.

For **all** warranty considerations, Titan Marketing, LLC will supply replacement parts only during the warranty period. The original purchaser is responsible for all shipping, handling, and any labor charges incurred. All defective parts must be returned to Titan for inspection and examination. Any parts that are found to be defective will be replaced or repaired to proper working order. Other items not listed above may be considered general wear parts and therefore, will not be covered under warranty. These warranties **do not** extend to **defects** caused by ordinary wear, abuse, misuse, shipping damage, improper installation, voltage or lack of required maintenance. Titan Marketing, LLC is **not** to be held responsible for any **failure** that results from an accident, purchaser/operator abuse, neglect, or failure to operate products in accordance with instructions provided in the owner's manual(s) supplied. Damage caused by rain, excessive humidity, corrosive environments or other contaminants are not covered under warranty. **THESE WARRANTIES DO NOT EXTEND TO ANY COSMETIC DEFECT NOT INTERFERING WITH EQUIPMENT FUNCTIONALITY OR ANY INCIDENTAL, INDIRECT, OR CONSEQUENTIAL LOSS, DAMAGE, OR EXPENSE THAT MAY RESULT FROM ANY DEFECT, FAILURE OR MALFUNCTION OF A TITAN MARKETING LLC PRODUCT OR THE BREACH OR DELAY IN PERFORMANCE OF THE WARRANTY.**

WARRANTY REGISTRATION

In order to utilize the warranty on this Titan Lifts product, you must register your product with us. The simplest way to do this is to visit [TITANLIFTS.COM/WARRANTIES](https://www.titanlifts.com/warranties) and submit your information online. If you prefer to send your information through the mail, please fill out the form below and send this page to us at :

**Titan Lifts
PO Box 7069
Greenwood, IN 46142**

EQUIPMENT MODEL: _____ SERIAL NUMBER: _____
TYPE OF POWER UNIT: _____ SERIAL NUMBER: _____
DATE OF PURCHASE: _____
PLACE PURCHASED: _____
NAME: _____
STREET: _____
CITY, STATE, ZIP: _____
PHONE: _____
EMAIL: _____

OPT OUT OF PROMOTIONS



In order to receive your warranty, return this card or visit [TITANLIFTS.COM/WARRANTIES](https://www.titanlifts.com/warranties) within 30 days.

 **WARNING** 

The warnings, precautions and instructions in this manual cannot cover all possible conditions and situations that may occur. The operator must understand that the operator must supply common sense and examine caution factors when using this product to determine safety in all circumstances being used.



TITAN MARKETING, LLC

PO Box 7069 Greenwood, IN 46142
1.888.908-4826 FAX (317) 215.2770
www.titanlifts.com

**Patent No.: US 8,104,588 B2
CA 2,729,670**