



Scan this code to get the most updated manual.

# INSTALLATION, OPERATION & MAINTENANCE MANUAL



## MODELS:

**SDPL-9KMS-XLT 4-POST LIFT**

**⚠️ FOLLOW THIS MANUAL CAREFULLY TO ENSURE THE EQUIPMENT WILL FUNCTION CORRECTLY AND PROVIDE MANY YEARS OF DEPENDABLE SERVICE. FAILURE TO FOLLOW THESE INSTRUCTIONS AND SAFETY WARNINGS MAY RESULT IN PERSONAL INJURY OR PROPERTY DAMAGE. KEEP THIS MANUAL IN A SAFE DRY PLACE FOR FUTURE REFERENCE.**



**Products May Be  
Upgraded Without Notice  
Please Visit**

**WWW.TITANLIFTS.COM**

**For The Latest Version Of  
This Manual**

# CONTENTS

<b>1-SAFETY</b> .....	<b>2</b>
1.1 INTRODUCTION .....	2
1.2 SAFETY INSTRUCTIONS FOR COMMISSIONING .....	2
1.3 SAFETY INSTRUCTIONS FOR OPERATION .....	2
1.4 SAFETY INSTRUCTIONS FOR MAINTENANCE .....	4
1.5 RISKS .....	4
<b>2-UNPACKING &amp; SET-UP</b> .....	<b>5</b>
2.1 DELIVERY AND CHECK OF PACKAGES .....	5
2.2 LIFTING AND HANDLING .....	5
<b>3-SPECIFICATIONS</b> .....	<b>6</b>
3.1 PARTS CHECK .....	9
<b>4-FLOOR REQUIREMENTS</b> .....	<b>10</b>
4.1 SELECTING THE SITE AREA .....	10
4.2 FLOOR REQUIREMENTS .....	10
4.3 ANCHORING TIP SHEET .....	11
<b>5-INSTALLATION INSTRUCTIONS</b> .....	<b>12</b>
5.1 COLUMNS AND CROSSBARS .....	12
5.2 RUNWAY INSTALLATION .....	14
5.3 CABLE INSTALLATION .....	15
5.4 HYDRAULIC ASSEMBLY .....	16
5.5 FINAL ADJUSTMENTS .....	17
<b>6-OPERATION INSTRUCTIONS</b> .....	<b>18</b>
6.1 DEFECTS / MALFUNCTIONS .....	18
6.2 CONTROLS .....	18
6.2.1 UP CONTROL .....	18
6.2.2 SAFETY LOCK CONTROL .....	18
6.2.3 LOWERING CONTROL .....	18
6.3.1 VEHICLE LOADING .....	19
6.3.2 RAISING THE LIFT .....	19
6.3.3 LOWERING THE LIFT .....	19
<b>OPTIONAL CASTER KIT</b> .....	<b>20</b>
<b>7-MAINTENANCE</b> .....	<b>20</b>
7.1 MAINTENANCE SCHEDULE .....	20
7.1.1 DAILY .....	21
7.1.2 WEEKLY .....	21
7.1.3 YEARLY .....	21
7.1.4 SPECIAL MAINTENANCE TASKS .....	21
7.2 MAINTENANCE BY OPERATOR .....	22
7.2.1 HYRDAULIC SYSTEM .....	22
7.2.2 GREASING POINTS .....	22
7.2.3 OPERATION AND WEAR CHECKS .....	22
7.2.4 LIFT STABILITY .....	22
7.3 CLEANING .....	23
<b>8-TROUBLESHOOTING</b> .....	<b>23</b>
<b>9-DIAGRAMS/PARTS</b> .....	<b>25</b>



PO Box 7069 Greenwood, IN 46142  
1.888.908-4826 FAX (317) 215.2770  
www.titanlifts.com

To Our Valued Customers:

Thank you for purchasing a Titan Lifts® product. We hope this high quality equipment provides you with years of dependable service.

It is unfortunate that rare situations may occur with the products you purchase from Titan Lifts®. We value your business as well as the trust you have and need to maintain your relationship with us. Titan Lifts® carries liability coverage that may protect our customers if a situation does occur. However, as in all accidents there must be proof of liability for a claim to be made. Our insurance company requires the following procedures be observed in order to consider a claim:

- A. The claimant must contact the Titan Lifts® distributor immediately with the facts of the situation.
- B. If any equipment is damaged, including vehicles or shop equipment, Titan Lifts® must be given the opportunity to send an impartial representative to the site for proper assessment of the situation.
- C. The Vehicle cannot be moved until either an impartial representative has reviewed the accident or clear and precise pictures are taken that reflect all the pertinent information for an impartial representative to be able to access the information from a distance. Titan Lifts® or its representatives must approve the pictures before anything can be moved.
- D. If any potential liability is determined on behalf of Titan Lifts®, two estimates must be submitted for damages to be reimbursed.

It is imperative that the claimant complies with these procedures, because without proper assessment of the situation a claim will be denied.

#### ARBITRATION NOTICE

The installation or use of this equipment shall constitute an acknowledgement that the user agrees to resolve any and all disputes or claims of any kind whatsoever, which relate in any way to the equipment, by way of binding arbitration, not litigation. No suit or legal action may be filed in any state or federal court. Any arbitration shall be governed by the Federal Arbitration Act, and administered by the American Mediation Association, Indianapolis Indiana. The maximum amount that an arbitrator may award and all damages shall not exceed the retail value of this equipment.

#### WARRANTY NOTICE

This equipment must be installed by a "Professional Installer" assembled and used in the manner according to the documentation provided to be covered by warranty.


Damaged or missing components must be reported within 72 hours of receipt to your freight carrier and to the distributor. Claims must be filed to cover cost.

If you have any questions or if we can be of any further assistance, please don't hesitate to contact a Titan Lifts® representative at 1-888-908-4826. Thank you for the opportunity to continue to serve your lift equipment needs.

# INSTRUCTIONS

## 1-SAFETY

### 1.1 INTRODUCTION

 **WARNING:** READ ENTIRE MANUAL AND COMPLY WITH ALL SAFETY AND SERVICE PRECAUTIONS. DEATH, PERSONAL INJURY AND / OR PROPERTY DAMAGE MAY OCCUR IF INSTRUCTIONS ARE NOT FOLLOWED CAREFULLY.

Personal injury and property damage incurred due to non-compliance with these safety instructions are not covered by the product liability regulations.

### SYMBOLS

 **FAILURE TO COMPLY WITH INSTRUCTIONS COULD RESULT IN PERSONAL INJURY.**

 **FAILURE TO COMPLY WITH INSTRUCTIONS COULD RESULT IN PROPERTY DAMAGE.**

 **IMPORTANT INFORMATION**


### 1.2 SAFETY INSTRUCTIONS FOR COMMISSIONING


- The lift may be installed and commissioned by authorized service personnel only.
- The standard lift version may not be installed and commissioned in the vicinity of explosives or flammable liquids, outdoors or in moist rooms (e.g. car wash).


### 1.3 SAFETY INSTRUCTIONS FOR OPERATION

- Read this entire manual.
- Load should not exceed rated capacity for this lift – 8,000 lb
- Only trained authorized personnel over the age of 18 years should operate the lift.
- Indoor use recommended.
- Never use the lift to raise one end or one side of vehicle.

- Maintain a safe working environment. The work area should be clean, dry, clutter free, and sufficiently lit.
- Vehicle doors should be closed during the raising and lowering cycles.
- Closely watch the vehicle and lift during the raising and lowering cycles.
- Do not operate the lift in explosive atmospheres, such as in the presence of flammable liquids, gases, or dust. Power equipment can create sparks which may ignite flammables.
- Keep hands, tools, and other extremities from under carriage and moving parts.
- Never operate this lift with someone on it.
- Do not allow anyone on the lift or inside a raised vehicle.
- Keep children and bystanders away from work area. Do not let children operate or play on lift.
- Wear proper safety attire. Do not wear loose fitting clothing while operating lift. Long hair, jewelry and sleeves should be secured.
- Do not operate this lift if under the influence of drugs, alcohol, or medication. Operator must be alert at all times when using heavy lift equipment.
- Comply with all applicable accident prevention regulations.
- After positioning the vehicle, apply the parking brake.
- Use caution when removing or installing heavy vehicle components which may result in center-of-gravity displacement.
- Use this lift only for the work it is intended. Do not use this product for an application for which it was not designed. Misuse can lead to personal injury and/or property damage.

 **WARNING:** Use this lift only in well ventilated areas. Carbon monoxide exhausted from running vehicle engines is a colorless, odorless fume that, if inhaled, can cause serious personal injury or death.

 **WARNING:** People with pacemakers should consult their physician(s) before using this product. Operation of electrical equipment in close proximity to a heart pacemaker could cause interference or failure of the pacemaker.

 **WARNING:** This product contains or produces a chemical known to the State of California to cause cancer and birth defects (or other reproductive harm). (California Health & Safety Code 25249.5 et seq.)

## 1.4 SAFETY INSTRUCTIONS FOR MAINTENANCE

- Maintenance or repair work should be done by authorized service personnel only.
- Work on the electrical equipment should be done by certified licensed electricians only.
- Ensure that ecologically harmful substances are disposed of in accordance with the appropriate regulations.
- To prevent the risk of damage, do not use high pressure / steam jet cleaners or caustic cleaning agents.
- Do not replace or override the safety devices.

## 1.5 RISKS



**WARNING:** Risks the personnel could encounter, due to an improper use of the lift, are described in this section.

### CRUSHING RISK

During lowering of runways and vehicles, personnel must not be within the area covered by the lowering trajectory. The operator must be sure no one is in danger before operating the lift. Stay clear of the lift when lowering or raising vehicles. Keep hands and feet away from moving parts and especially points that could pinch. Keep your feet clear of the lift when raising and lowering vehicles.

### BUMPING RISK

When the lift is stopped at relatively low working height, the risk of bumping against projecting parts increases. Always be aware of your surroundings and avoid bumping your head or body on the lift or the vehicle.

### TILTING RISK

Use caution when lowering the lift and make sure the tracks stay level with the safety locks.

# 2-UNPACKING & SET-UP

Only skilled personnel who are familiar with the lift and this manual shall be allowed to carry out, lifting, handling, transport and unpacking operations.

## 2.1 DELIVERY AND CHECK OF PACKAGES

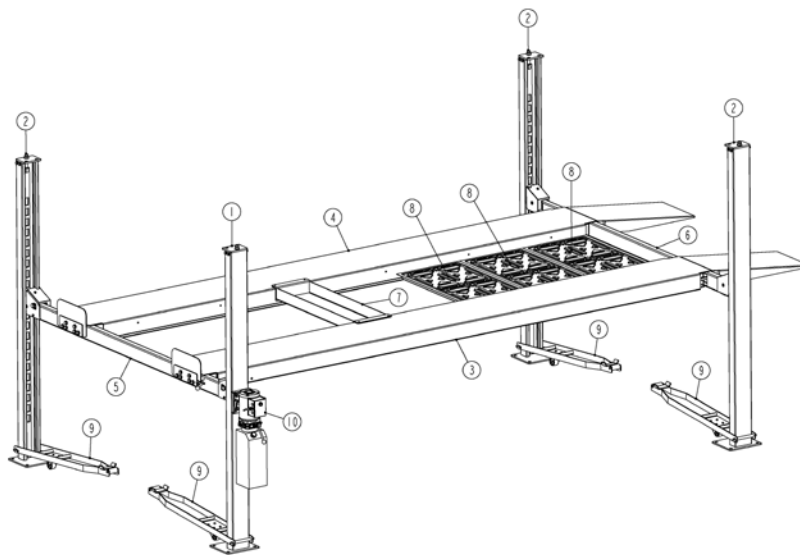
When the lift is delivered, carefully unpack the lift making sure all the parts have been included. Check for possible damages due to transport and storage; verify that what is specified in the confirmation of order is included. In case of damage in transit, the customer must immediately inform the carrier of the problem.

Remove the lift and all parts from delivery pallet and place on a clean, solid, flat surface. Packages must be opened paying attention not to cause damage to people (keep a safe distance when opening straps) and parts of the lift (be careful the objects do not drop from the package when opening.)

## 2.2 LIFTING AND HANDLING

When loading/unloading or transporting the equipment to the site, be sure to use suitable loading (e.g. cranes, trucks) and hoisting means. Be sure to hoist and transport the components securely so that they cannot drop, taking into consideration the package's size, weight, center of gravity, and its fragile parts.

 **LIFT AND HANDLE ONLY ONE PACKAGE AT A TIME**



- |                       |                          |
|-----------------------|--------------------------|
| 1. Power side post    | 6. Crossbeam B           |
| 2. The secondary post | 7. Tool tray             |
| 3. Master platform    | 8. Oil dip tray          |
| 4. Slave platform     | 9. Mobile kit (Optional) |
| 5. Crossbeam A        | 10. Power unit           |



# 3-SPECIFICATIONS

\*Due to minor variances in the manufacturing process, dimensions in this manual may vary slightly from the finished product.

Specifications	SDPL-9KMS-XLT
Center Of Baseplates - Width	112-3/16"
Outside Of Baseplates - Width	121-1/2"
Outside Of Columns - Width	118-3/4"
Inside of Columns - Width	112"
Overall Width w/Motor	133-7/8"
Drive-Thru	99-1/2"
Between Runways	43-1/2"
Out To Out - Runways	83-1/4"
Length of Runway	189-9/16"
Width of Runway	19-7/8"
Total Length of Ramp	36-5/8"
Baseplate Dimensions	11-13/16" x 10-1/4"
Column Dimensions	3-1/4" x 6-1/4"
Center Of Baseplates - Length	187-5/8
Outside Of Baseplates - Length	199-1/2"
Outside Of Columns - Length	193-7/8"
Inside Of Columns - Length	180-1/2"
Overall Length w/Ramps	231"
Lifting Height	5-1/2" - 87-3/16"
Overall Height	97-5/16"
Lifting Capacity	9,000 lb
Shipping Weight	2,002 lb



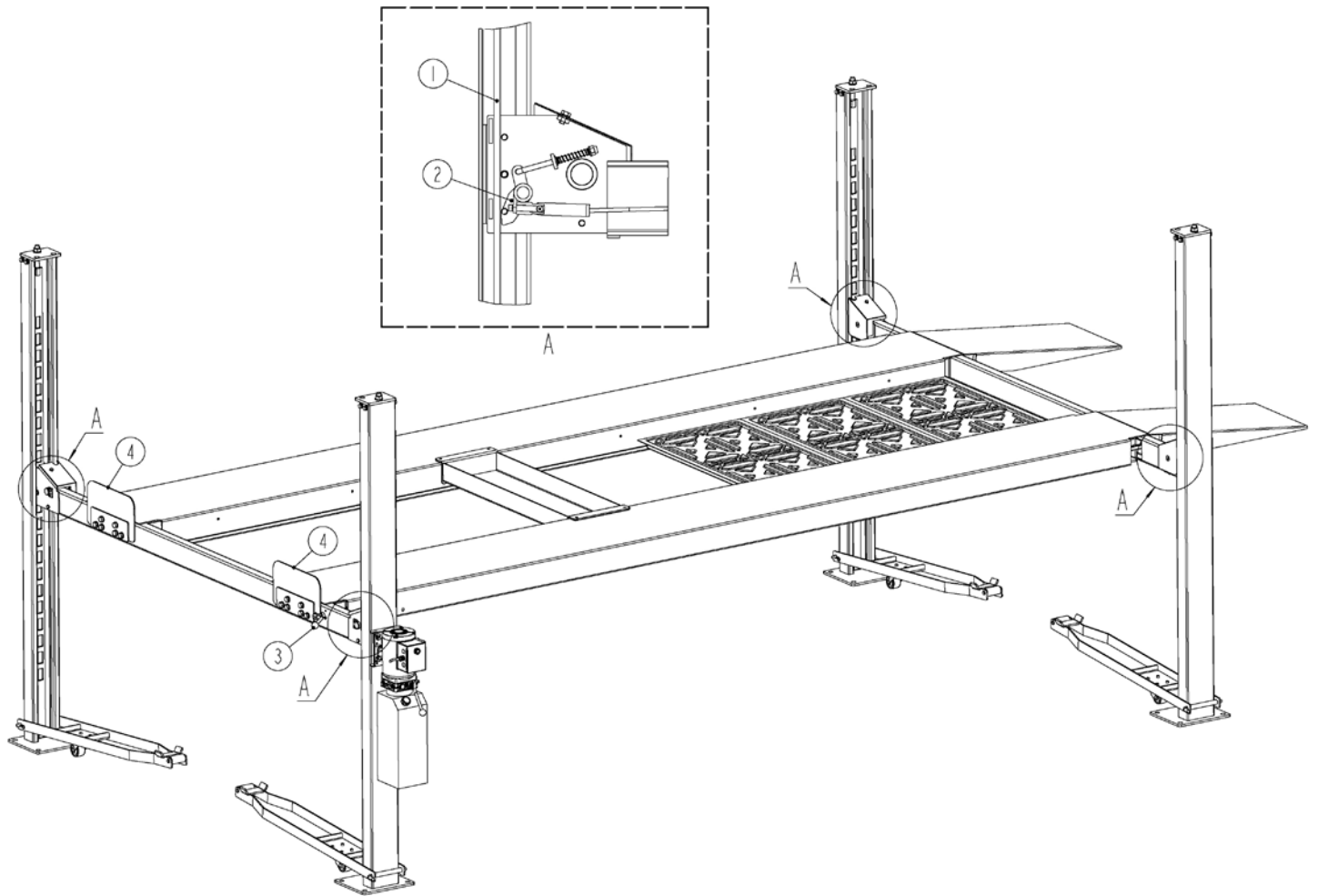
**IMPORTANT: THE PROPERTIES INDICATED APPLY TO LIFTS RUNNING AT OPERATING TEMPERATURE.**



**IMPORTANT: COMPONENTS AND SPECIFICATIONS ARE SUBJECT TO CHANGE WITHOUT NOTICE.**



# SAFETY DEVICES OVERVIEW



No.	Name	Function
1-2	Mechanical locking device	Catch the carriages in case of hydraulic failure
3	Manual unlocking device	Manually release mechanical locking device.
4	Front wheel stop	Stop wheels from rolling off.

### 3.1 PARTS CHECK

Number	Code	Descriptions	Qty
1		Master platform assembly (with cylinder )	1
2		Slave platform assembly	1
3		Power side post assembly	1
4		Post assembly	3
5		Power side crossbeam assembly	1
6		Secondary crossbeam assembly	1
7	611901936	Aluminum Ramp	2
8	612032074	Ratchet for the locking device	4
9	410321483B	Transfer bar for the unlocking device	2
	410912360	Transfer bar for the unlocking device	1
	410321493	Connection tube	2
10	615068741	Tool tray assembly	1
11	420320110	Oil-dip tray	3
12	622034440	Power unit	1
13	410912350	Crossbeam cover A	2
14	410912349	Crossbeam cover B	2
15	614901740	Top plate assembly of the post	4
	201102026		16
	204101007		16
	204201006		16
16	410912358	Wheel stop plate	4
17	410912355	Connecting plate for the ramp or wheel stop	4
18	201201007	Expansion bolt M18x160	16
19	624008230	Oil hose L=1460	1
20	612901720	Handle assembly for unlocking	1
21	201102013	Hex head full threaded bolt M8x30	4
22	204201004	Spring washer D8	4
23	204101005	Flat washer D8	4
24	420040010	Anti-vibration washer	4
25	203101005	Hex nut M8	4
26	202110005	Hex socket button head screw M8x20	8
27	201102011	Hex head full threaded bolt M8x15	4
28	204101005	Flat washer D8	4
29	201102069	Hex head half threaded bolt M16x110	8
30	201102040	Hex head full threaded bolt M16x30	16
31	204101009	Flat washer D16	24
32	410321681	Thick washer 64P-A7-B17	24
33		User's Manual	1

# 4-FLOOR REQUIREMENTS


**NOTE:** This lifts does not require bolting to the floor (BUT) if you choose the option to anchor the lift to the floor, please follow the below instructions in this manual.

## 4.1 SELECTING THE SITE AREA

1. Make sure that adequate space and height is available.
2. Check for ceiling clearance (lifting height plus vehicle height).
3. Check for clearance in front and rear of vehicle on lift.
4. Check for overhead garage door clearance.

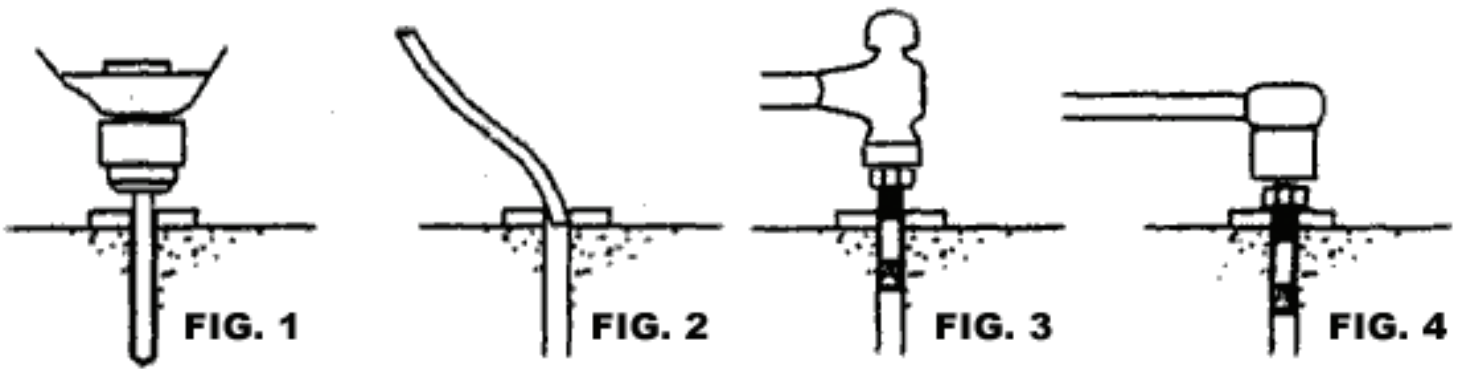
## 4.2 FLOOR REQUIREMENTS

Do not use the lift on any asphalt surface. Make sure the lift is used on a dry, oil/grease free, flat level CONCRETE surface capable of supporting the weight of the lift, the vehicle being lifted, and any additional tools and equipment. The concrete floor surface should have a minimum thickness of 4". The concrete must have a minimum strength of 3,000 PSI, and should be aged at least 30 days prior to use. Do not use the lift on concrete expansion seams or on cracked, defective concrete.

 **WARNING: SPECIFICATIONS OF CONCRETE MUST BE ADHERED TO. FAILURE TO DO SO COULD CAUSE LIFT FAILURE RESULTING IN PERSONAL INJURY OR DEATH. THE FLOOR SHOULD BE A REINFORCED CONCRETE SLAB NOT LESS THAN 4" THICK WITH THE COMPRESSIVE STRENGTH OF THE CONCRETE NO LESS THAN 3,000 PSI.**

 **DANGER: FOR CORRECT INSTALLATION OF THE LIFT, THE FLOOR MUST BE FLAT AND LEVEL. CHECK WITH STRAIGHT EDGE AND LEVEL. IF A FLOOR IS OF QUESTIONABLE SLOPE, CONSIDER A SURVEY OF THE SITE AND/OR THE POSSIBILITY OF POURING A NEW LEVEL CONCRETE SLAB.**

 **IMPORTANT: NEW CONCRETE MUST BE ADEQUATELY CURED AT LEAST 30 DAYS MINIMUM. NO LIABILITY FOR ANY DAMAGES WILL BE ACCEPTED SHOULD YOU INSTALL THE LIFT ON AN UNSUITABLE FLOOR.**



## 4.3 ANCHORING TIP SHEET

1. Use a concrete hammer drill with a carbide tip, solid drill bit the same diameter as the anchor, 3/4". (.775 to .787 inches diameter). **Do not use excessively worn bits or bits which have been incorrectly sharpened.**
2. Keep the drill perpendicular to the concrete while drilling.
3. Let the drill do the work. Do not apply excessive pressure. Lift the drill up and down occasionally to remove residue to reduce binding.
4. Drill the hole for anchor bolt completely through the concrete. If an error is made during the installation of these anchors, this will allow for the anchor bolt to be driven down into the ground, so that a new anchor may be installed in place (fig.1).
5. **Be sure to clean all dust from hole.** (fig. 2).
6. Place a flat washer and hex nut over threaded end of anchor, leaving approximately 1/4 inch of thread exposed above the nut (fig. 3). Carefully tap anchor into the concrete until nut and flat washer are against base plate. Be sure to only tap the top of the anchor and not the nut. This could cause damage to the threads of the anchor.
7. Tighten the nut (fig. 4) to **85 ft-lbs** of torque.



**DO NOT USE AN IMPACT WRENCH TO TIGHTEN ANCHORS!**

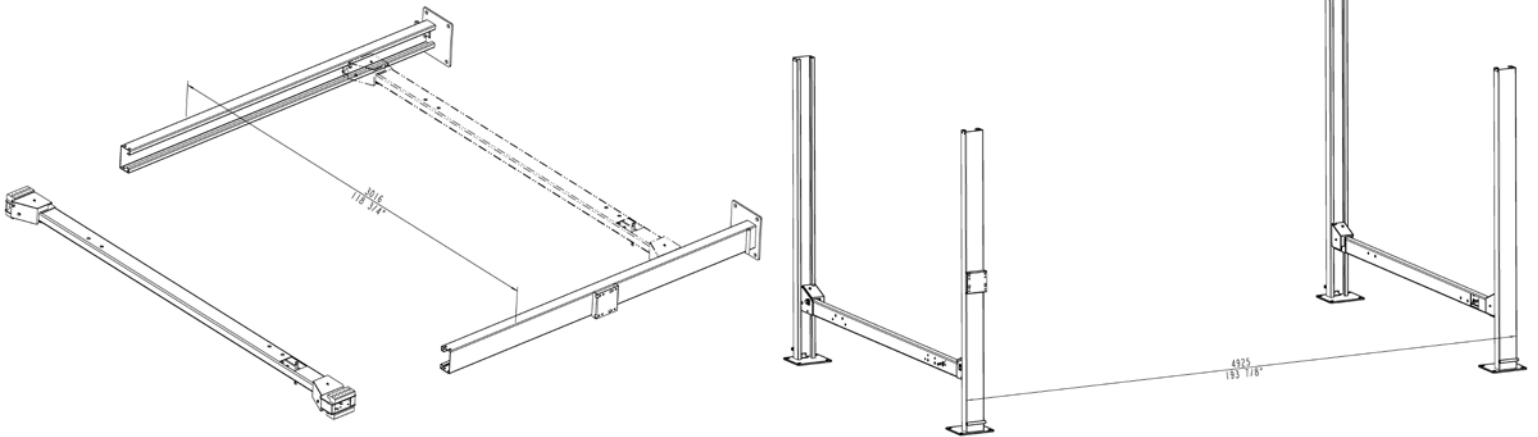
# 5-INSTALLATION INSTRUCTIONS



**IMPORTANT: BEFORE ATTEMPTING TO ASSEMBLE THIS LIFT TO MAKE SURE THAT THERE IS ENOUGH ROOM FOR ALL COMPONENTS. KEEP THE FLOOR AREA CLEAR OF THE LIFT COMPONENTS UNTIL THEY ARE READY TO BE INSTALLED.**

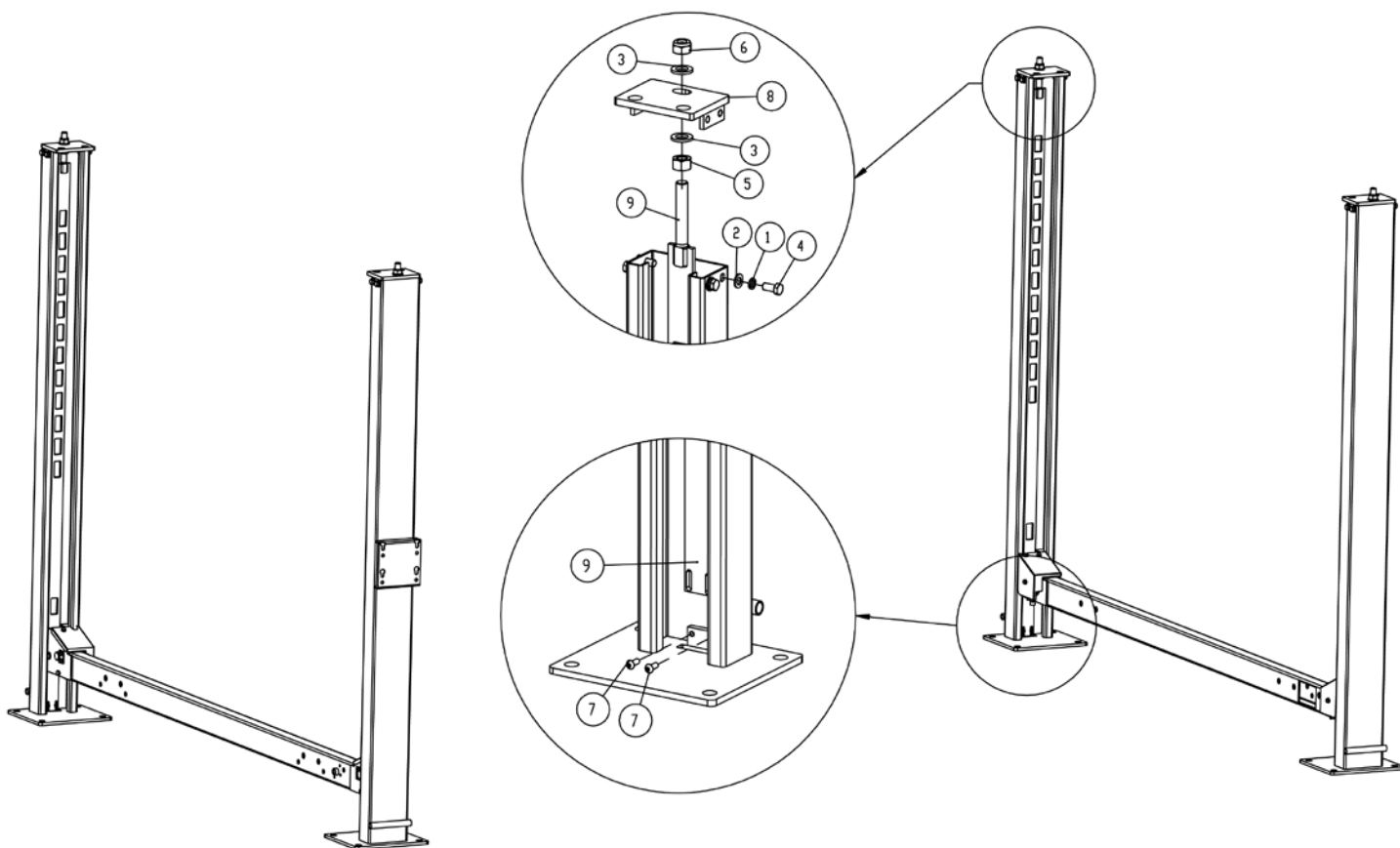
## **5.1 COLUMNS AND CROSSBARS**

- 1) Locate the four columns and two crossbars.
- 2) Determine where the power unit will be located. (front driver or rear passenger side)  
Place the column with the motor bracket in that location. The directions in this guide assume that the power unit will be placed in the front driver side position.
- 3) Lay columns down on their side and place the crossbeam into the columns. See figure below. Place the crossbeam all the way to the bottom. You will need to do this for both crossbeams. NOTE: Be sure to orient the cross bar to where the cable pulleys are facing inside the lift.



- 4) With the columns still on their sides, slide the safety lock ladders into each column and through the slot on each end of the crossbeam.

- 5) Once all lock ladders are in place, remove the upper locking hex nut. Leave the regular hex nut and flat washer on the ladder stud. Install the top caps onto the lock ladder stud and into each column. Place another washer and locking hex nut onto the lock ladder top cap. Before tightening make sure the lock ladders are raised fully with bottom two bolts installed loose. Once raised fully, snug the two bolts at the bottom of the lock ladders and tighten the nut on top of the cap. Be sure not to twist the lock ladders as you are tightening.



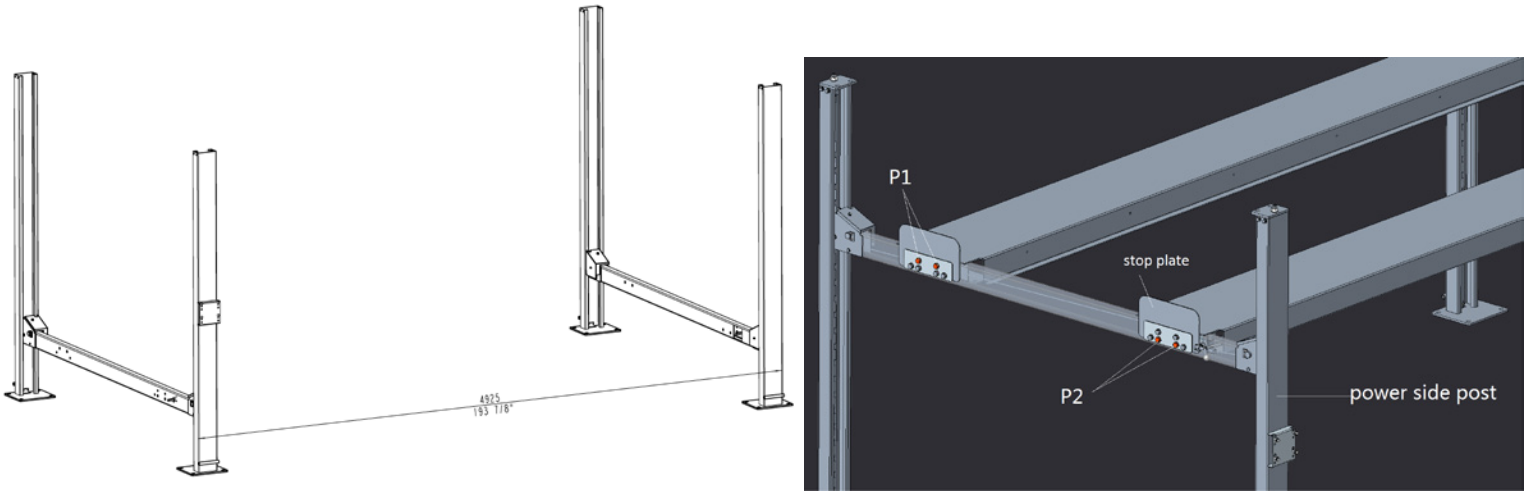
(1)  $\varnothing 12$  spring washer; (2)  $\varnothing 12$  flat washer; (3)  $\varnothing 20$  flat washer; (4) M12x25 hex head full swivel screw; (5) M20 hex nut; (6) M20 hex locking nut; (7) M8x20 hex socket button head screw; (8) Top plate; (9) safety ratchet

- 6) Using the supplied hardware hex bolt, locking washer, and washer secure the TOP CAPS onto the columns.
- 7) Stand the columns up right and raise both crossbeams to the same lock height so that you can comfortably work under the runways after they are installed.



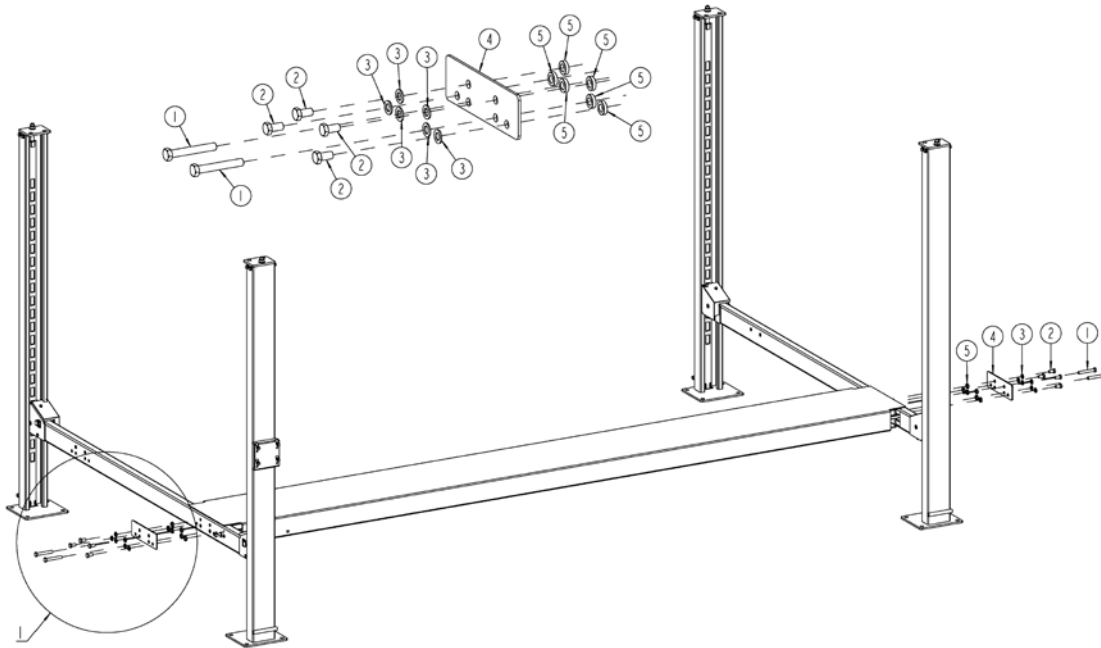
## 5.2 RUNWAY INSTALLATION

- 1) Before installing runways, make sure that your column and Crossbeam assemblies are standing vertically and set in the proper locations. Also, remember that the ledge running down the side of the runways will always be oriented to the inside of the lift and the CYLINDER-SIDE RUNWAY goes on the power-unit side of the lift.

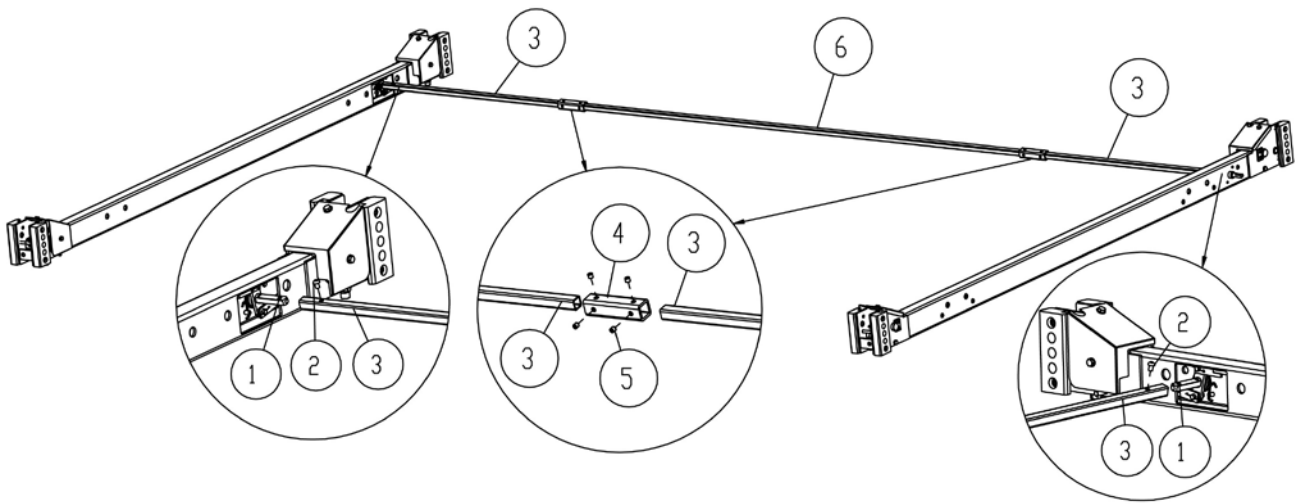


- 2) Place the ends of the cylinder runway onto the crossbeams and line up the 3/4" holes in the Crossbeam with the holes in the runway. Using the supplied hardware and installation plate to attach the runways to the crossbeams.

**Repeat this step for the offside runway.**



(1) M16x110 hex head half swivel bolt; (2) M16x30 hex head full swivel screw; (3)  $\phi$ 16 flat washer; (4) connecting plate; (5) Thicker washer

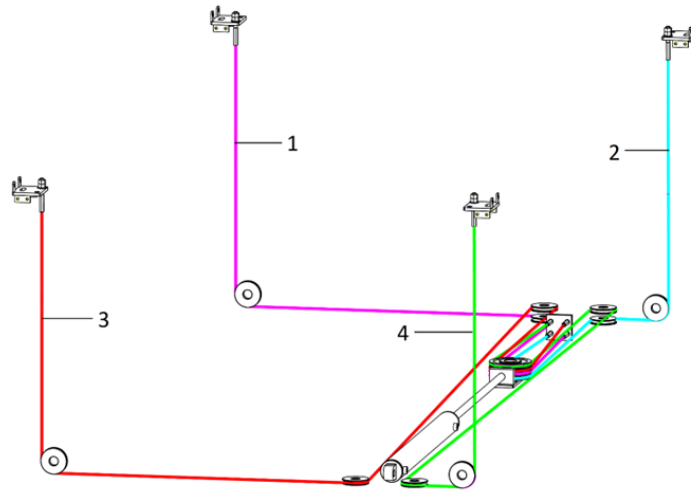


(1) Main swing shaft; (2) M8x12 hex socket button head screw; (3) Transfer bar; (4) Connection tube;  
 (5) M8x10 Hex socket flat head locking screw; (6) Transfer bar;

### 5.3 CABLE INSTALLATION

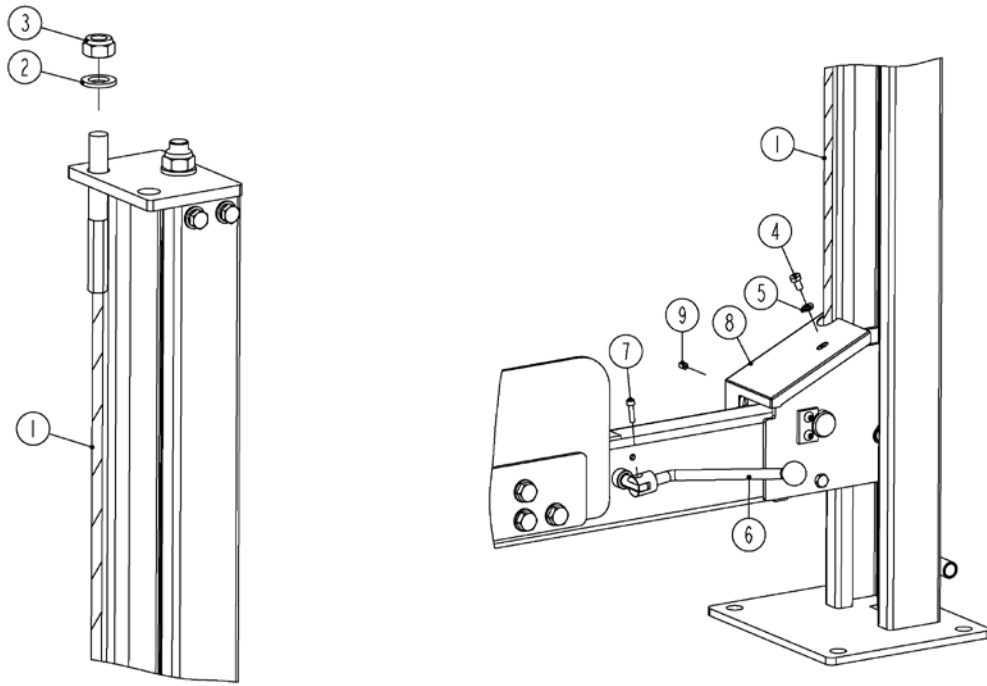
The cables for this lift are pre-installed and located in the CYLINDER SIDE runway.

Route the cables per the diagram below. Be sure that all cables are straight and not intertwined. All cables must be on the pulleys correctly to avoid any cable damage.



1. After installing the cables, be sure to inspect that all six cable retention bolts under the runway are installed. These bolts are in place to keep the cables on the pulleys in the event of cable slack.
2. Locate the 4 cable retention bolts on the crossbeams. Each cable retention bolt is located on each end of the cross bar under the pulleys. These will keep the cables routed securely around the pulleys even if the cables become slacked at any time.

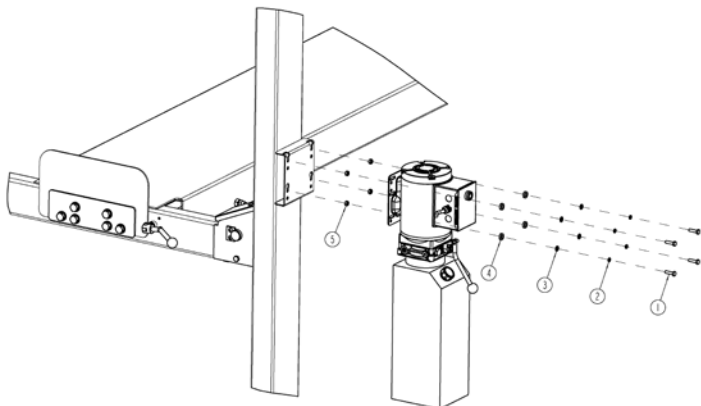
**i IMPORTANT:** Make sure that the SPINDLE RETENTION PLATES are properly installed so that the pins that go through the pulleys cannot fall out. There are 8 in total.



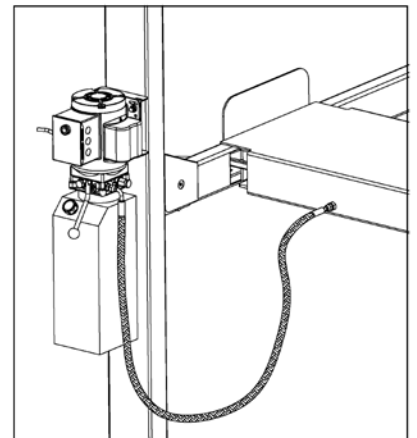
(1) Steel rope ; (2)  $\phi 20$  flat washer; (3) M20 hex locking nut; (4) M8x15 hex head full swivel screw; (5)  $\phi 8$  flat washer; (6) Release handle assembly; (7) M6x25 hex socket button head screw; (8) Protective cover;

## 5.4 HYDRAULIC ASSEMBLY

1. Secure unit to column bracket using provided bolts, washers, lock nuts and nuts.
2. Remove the fitting with the plastic cap from the port on the power unit and connect the hydraulic supply hose to the power unit. (Teflon not required).
3. On the end of the cylinder hose, located under the runway. Remove the backing nut from the bulkhead fitting, insert fitting through the hole in the side of the runway and secure with backing nut.
4. Attach the straight end of the power unit hose to the bulkhead fitting. NOTE: It may be necessary to remove the hydraulic hose and re-install it to remove any twists in the hose.
5. Attach the 90-degree fitting to the power unit.
6. Fill the oil tank reservoir with hydraulic oil, approximately 1 - 2" below the fill cap. Fill the oil tank with a premium quality ISO-32 or AW-32 hydraulic oil. Ensure all hydraulic fittings are tight and not leaking.



1.Hex head full threaded bolt M8x30  
 2.Spring washer D8  
 3.Flat washer D8  
 4.Anti-vibrating pad  
 5.Hex nut M8



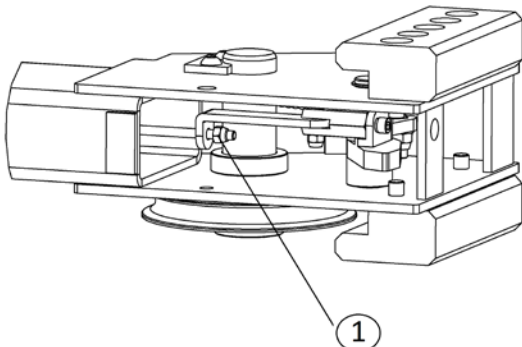
## 5.5 FINAL ADJUSTMENTS

**i** **IMPORTANT: PRIOR TO PROCEEDING WITH THE FINAL ADJUSTMENTS PROCESS, PLEASE READ OPERATION INSTRUCTIONS IN SECTION 6.**

- 1) Plug the hydraulic unit into a standard 110V-120V/60Hz AC outlet. Check to make sure that the cables are properly installed on their pulleys.
- 2) Press the power unit control button to raise the lift all the way to the top. Disengage the locks and lower the lift all the way down, holding the release lever for an additional 10-20 seconds to ensure that all air gets purged from the system. You will see the air purging back into the tank as the lift reaches the bottom.
- 3) Raise the lift and lower it onto one of the lock positions at a comfortable working height. Then you will need to use a level to check the platform by placing it on each runway and on each crossbeam. You will need to raise the lock ladders until the platform is level in all directions. This can be done by tightening the top nut on each lock ladder until the bubble is in the center of the vial. Once the adjustments have been made, tighten the lower nut of the lock ladder, up against the bottom of the top caps.
- 4) It is now time to adjust the lifting cables. Raise the lift until all (4) locks are no longer resting on the SAFETY LOCK LADDER. Using the same method as in step 3, tighten the cables until the platform is level. You can also check this by comparing the height from the top of the crossbeam to the top of the lock ladder opening. This will ensure that all (4) of the locks engage the lock ladders simultaneously.

**NOTE: Steps 2, 3, and 4 are to be performed with no weight on the lift.**

- 5) With the lift in the lowered position, install the APPROACH RAMPS on the side of the lift that the vehicle will be loaded from. On the opposite end, install the TIRE STOP PLATES. Carefully drive the vehicle onto the runways of the lift (it may not hurt to have a second person there to help guide you onto the lift). Once the vehicle is in place, chock the wheels using the methods you feel necessary, then remove the APPROACH RAMPS and install the other pair of TIRE STOP PLATES.
- 6) You are now ready to raise the vehicle. You may notice that the locks may slightly be "off" which is perfectly normal because for a short period of time, the cables will stretch as the lift gets used. You will need to adjust the cables accordingly so that all (4) locks continue to engage simultaneously.



# 6-OPERATION INSTRUCTIONS



**IMPORTANT: ALWAYS CHOCK WHEELS AND SET PARKING BRAKE BEFORE LIFTING VEHICLE!**



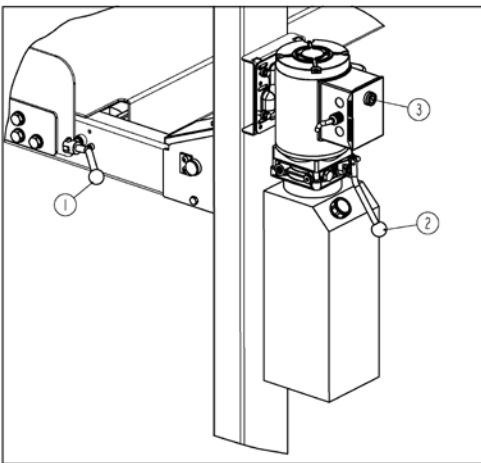
**WARNING: LIFT OPERATION BY TRAINED AUTHORIZED PERSONNEL OVER 18 YEARS ONLY. APPLY THE PARKING BRAKE AFTER POSITIONING THE VEHICLE ON THE LIFT. DO NOT ALLOW ANYONE TO STAY IN LIFT AREA DURING RAISING AND LOWERING CYCLES. CLOSELY WATCH THE VEHICLE AND THE LIFT DURING RAISING AND LOWERING CYCLES. OBSERVE THE RATED LOAD CAPACITY AND LOAD DISTRIBUTION. DO NOT ALLOW ANYONE TO CLIMB ON LIFT OR STAY INSIDE VEHICLE. MAKE SURE THE VEHICLE DOORS ARE CLOSED DURING RAISING AND LOWERING CYCLES.**

## 6.1 DEFECTS / MALFUNCTIONS



**WARNING: IN CASE OF DEFECTS OR MALFUNCTIONS SUCH AS JERKY LIFT MOVEMENT OR DEFORMATION OF THE SUPERSTRUCTURE, SUPPORT OR LOWER THE LIFT IMMEDIATELY. CONTACT QUALIFIED SERVICE PERSONNEL.**

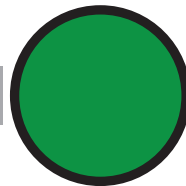
## 6.2 CONTROLS



Pos.	Component description	Function
1	Release handle	Release the mechanical locking unit.
2	Lowering handle	Control descending movement. Engage the mechanical locking unit.
3	Up button	Control the rising movement

### 6.2.1 UP CONTROL

UP



Once the up button is pressed, the lift moves up until the button is released or the limit stop is reached.

### 6.2.2 SAFETY LOCK CONTROL

1. Press and hold the lowering handle until the safety lock blocks are engaged to level safety stops on the columns.

### 6.2.3 LOWERING CONTROL

1. Press the up button enough to make the safety lock blocks disengage the safety stops on the columns. Pull and hold the safety lock release handle, and then press the lowering handle until the lift is completely lowered.

### 6.3.1 VEHICLE LOADING

1. Make sure front tire stop plates are in place and, position vehicle on lift runways by having another person guide you onto the runways.
2. Check for proper weight distribution (center of gravity should be evenly distributed between columns).
3. Set vehicle parking brake and chock tires to prevent vehicle movement.
4. Use caution before lifting pickup trucks, suv's and other vehicles. The individual axle weight capacity should not exceed 1/2 of lift capacity.
5. Make sure vehicle is neither front nor rear heavy.
6. Make sure to install all front and rear tire stop plates prior to raising the lift with a vehicle.

### 6.3.2 RAISING THE LIFT

1. Push the up button to raise lift until platform runways clear the floor.
2. Stop and check for vehicle movement and vehicle weight distribution. If secure raise to desired height.
3. Always lower the lift to the nearest lock position by pressing the lowering handle to relieve the hydraulic pressure and let the safety lock blocks set in a locked position.
4. Never work under a lift that is not in a level safety locked position.

### 6.3.3 LOWERING THE LIFT

1. Clear all obstacles from under lift and vehicle, and ensure only lift operator is in the lift area.
2. Stay clear of lift and raise the lift off the safety locks.
3. Pull safety lock release handle and press the lowering handle to begin descent.
4. Ensure lift is fully lowered, and remove tire stop plates prior to unloading the vehicle.
5. Make sure to install the ramps.
6. Having another person guide you, carefully unload the lift by driving off of the lift runways.



**WARNING: PAY ATTENTION TO THE LOWERING SPEED OF ALL FOUR CORNERS. MAKE SURE THEY ARE MOVING DOWN AT THE SAME SPEED. STOP LOWERING THE LIFT BY RELEASING THE LOWERING LEVER ON THE POWER UNIT AND MOVING THE LOCK LEVER TO THE LOCK POSITION IF ANY CORNER STOPS MOVING OR IS SLOWER IN DESCENT. ALWAYS LOCK THE LIFT BEFORE GOING UNDER THE VEHICLE. NEVER ALLOW ANYONE TO GO UNDER THE LIFT WHEN RAISING OR LOWERING.**



**IMPORTANT: IT IS NORMAL FOR AN EMPTY LIFT TO LOWER SLOWLY - IT MAY BE NECESSARY TO ADD WEIGHT.**



**WARNING: THE OPERATOR MUST BE TRAINED AND AUTHORIZED TO OPERATE THE LIFT.**

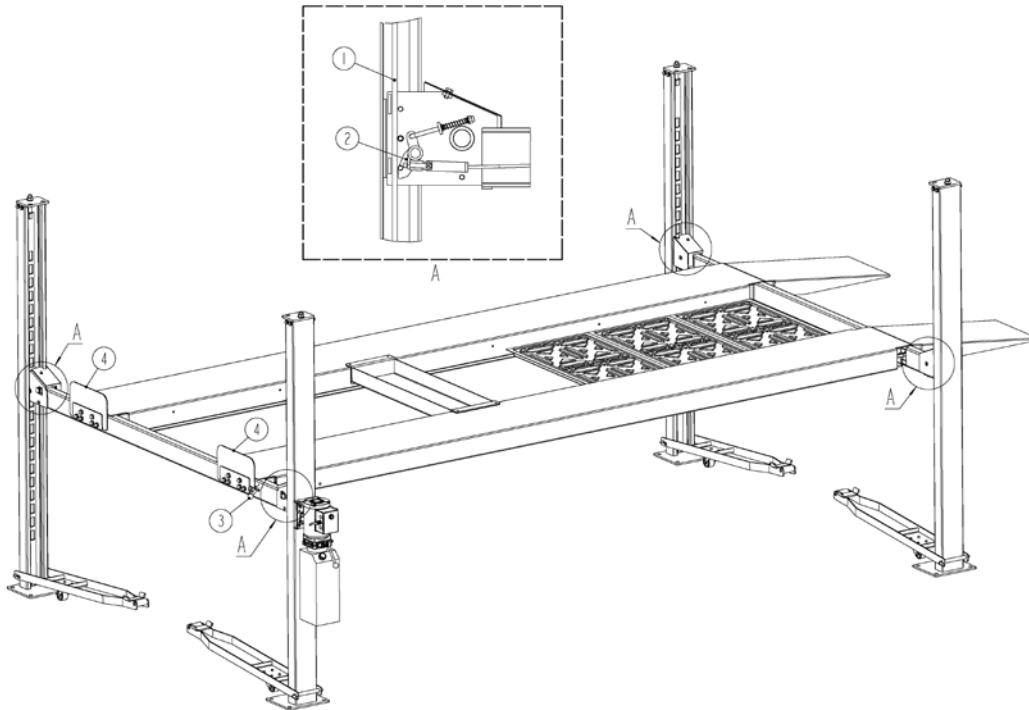
**⚠ WARNING: DO NOT GO UNDER VEHICLE UNDER ANY CIRCUMSTANCES WHILE VEHICLE IS BEING LIFTED OR LOWERED.**

## **OPTIONAL CASTER KIT**

**i IMPORTANT: HITCH PIN AND HAIRPIN CLIP TO ATTACH CASTERS TO LIFT IN THE FOLLOWING STEPS.**

1. Raise lift 2' - 3' high.
2. Place caster assemblies under crossbeams as shown. Secure with Hitchpin and Hairpin Clip.
3. Lower the lift and the columns will automatically raise off the floor.

**NOTE: After using the caster kit, always check to ensure that all cables are still routed properly and aligned on the pulleys.**



## **7-MAINTENANCE**

**⚠ WARNING: DISCONNECT THE POWER BEFORE SERVICING THE LIFT.**

**i IMPORTANT: THE MAINTENANCE INTERVALS INDICATED BELOW APPLY TO AVERAGE WORKSHOP USE. THE LIFT SHOULD BE INSPECTED MORE FREQUENTLY FOR SEVERE USE APPLICATIONS.**

### **7.1 MAINTENANCE SCHEDULE**

It is important to keep the lift clean, dry, and well maintained by establishing a periodic preventive maintenance program to ensure trouble-free operation and long service life.



### **7.1.1 DAILY**

1. Check safety lock audibly and visually while in operation.
2. Check safety latches for free movement and full engagement with the safety stops on the column.
3. Check hydraulic connections, and hoses for leakage.
4. Check that all cables are routed properly.
5. Check cables for damage, bends, cracks and any loose cable fittings.
6. Check for frayed cables in both raised and lowered position.
7. Check snap rings at all rollers and sheaves.
8. Check bolts, nuts, and screws and tighten if needed.
9. Check wiring & switches for damage.
10. Check floor for stress cracks near columns.
11. Check lubrication on cable sheaves and shafts.

### **7.1.2 WEEKLY**

1. IF LIFT IS ANCHORED TO FLOOR - Check anchor bolts torque to 85 ft-lbs for the ¾" anchor bolts. Do not use an impact wrench to tighten anchor bolts.
2. Check floor for stress cracks near column.
3. Check hydraulic oil level.
4. Check and tighten bolts, nuts, and screws.
5. Check all cable sheaves/assembly for free movement or excessive wear on cable sheave shaft.
6. Check for any locks and tighten as necessary.

### **7.1.3 YEARLY**

1. Lubricate the cables sheave shaft by using grease gun at least once a year after the lift is in service.
2. Check for excessive wear of cable. Replace them if necessary.
3. Change the hydraulic fluid - good maintenance procedure makes it mandatory to keep hydraulic fluid clean. Operating temperature, type of service, contamination levels, filtration, and chemical composition of fluid should be considered. If operating in dusty environment shorter interval may be required.

### **7.1.4 SPECIAL MAINTENANCE TASKS**

**NOTE:** The following items should only be performed by a trained maintenance expert:

1. Replacement of hydraulic hoses.
2. Replacement of cables and sheaves.
3. Replacement or rebuilding air and hydraulic cylinders as required.
4. Replacement or rebuilding pumps / motors as required.
5. Checking of hydraulic cylinder rod and rod end (threads) for deformation or damage.



## **7.2 MAINTENANCE BY OPERATOR**

1. All moving parts have been lubricated at the factory and should be re-lubricated before the first use and at least once every six months to prevent damage.

### **7.2.1 HYRDAULIC SYSTEM**

1. Check the fluid level with the lift fully lowered and add fluid as required. Use premium quality ISO-32 or AW-32 hydraulic oil.
2. Visually check all hydraulic hoses and connections for tightness before each use to ensure proper working condition.
3. Lightly oil the cylinder rod at least once every six months or when it becomes dry.

### **7.2.2 GREASING POINTS**

#### **Slide Tracks:**

The slide tracks should be greased every six months (or more frequently in case of noise generation).

Lightly grease the slide tracks over their whole length using a brush.

### **7.2.3 OPERATION AND WEAR CHECKS**

Examine lift for structural cracks, bends, or other signs of damage prior to each use. Do not use this product if worn or damaged.

### **7.2.4 LIFT STABILITY**

1. Every six months check the nuts of all bolts for tightness.
2. Retighten them as required.

## 7.3 CLEANING



**DANGER: DO NOT USE HIGH PRESSURE / STEAM JET CLEANERS OR CAUSTIC CLEANING AGENTS.**

**RISK OF DAMAGE!**

- **PERIODICALLY WASH OFF AGGRESSIVE SUBSTANCES AND TREAT THE LIFT WITH OIL OR WAX SPRAY.**
- **REPAIR THE DAMAGE TO THE PAINTWORK IMMEDIATELY TO PREVENT CORROSION.**

## 8-TROUBLESHOOTING

### **MOTOR DOES NOT OPERATE**

Failure of the motor to operate is normally caused by one of the following:

1. Breaker or fuse blown.
2. Faulty wiring connections; call electrician.
3. Defective up button; call electrician for service.

### **MOTOR FUNCTIONS BUT LIFT WILL NOT RISE**

If the motor is functioning, but the lift will not rise do the following in the order given:

1. A piece of debris is under check valve. Push handle down and push the up button at the same time. Hold for 10-15 seconds. This should flush the system.
2. Check the clearance between the plunger valve of the lowering handle. There should be 1/16" clearance.
3. Remove the check valve cover and clean ball and seat.



**WARNING:** Failure to properly relieve pressure in the following step can cause injury to personnel. This lift uses ISO Grade 32 or other premium quality grade non-detergent hydraulic oil at a high hydraulic pressure. Be familiar with its toxicological properties, precautionary measures to take, and first aid measures as stated in the Safety Summary before performing any maintenance with the hydraulic system.

4. Oil level too low. Oil level should be just under the vent cap port when the lift is down. Relieve all hydraulic pressure and add oil as required.

## **OIL BLOWS OUT BREATHER OF POWER UNIT**

**If oil blows out of the breather of the power unit, take the following actions:**

1. Oil reservoir overfilled. Relieve all pressure and siphon out hydraulic fluid until at a proper level.
2. Lift lowered too quickly while under a heavy load. Lower the lift slowly under heavy loads.

## **MOTOR HUMS AND WILL NOT RUN**

**If the motor hums but fails to run, take the following actions:**

1. Lift overloaded. Remove excessive weight from lift.



**WARNING:** The voltages used in the lift can cause death or injury to personnel. In the following steps, make sure that a qualified electrician is used to perform maintenance.

2. Faulty wiring                    **Call electrician**
3. Bad capacitor                   **Call electrician**
4. Low voltage                     **Call electrician**

## **LIFT JERKS GOING UP AND DOWN**

1. If the lift jerks while going up and down, it is usually a sign of air in the hydraulic system. Raise lift all the way to top and return to floor. Repeat 4-6 times. Do not let this overheat power unit.

## **OIL LEAKS**

**Oil leaks at the power unit and cylinders are normally caused by the following:**

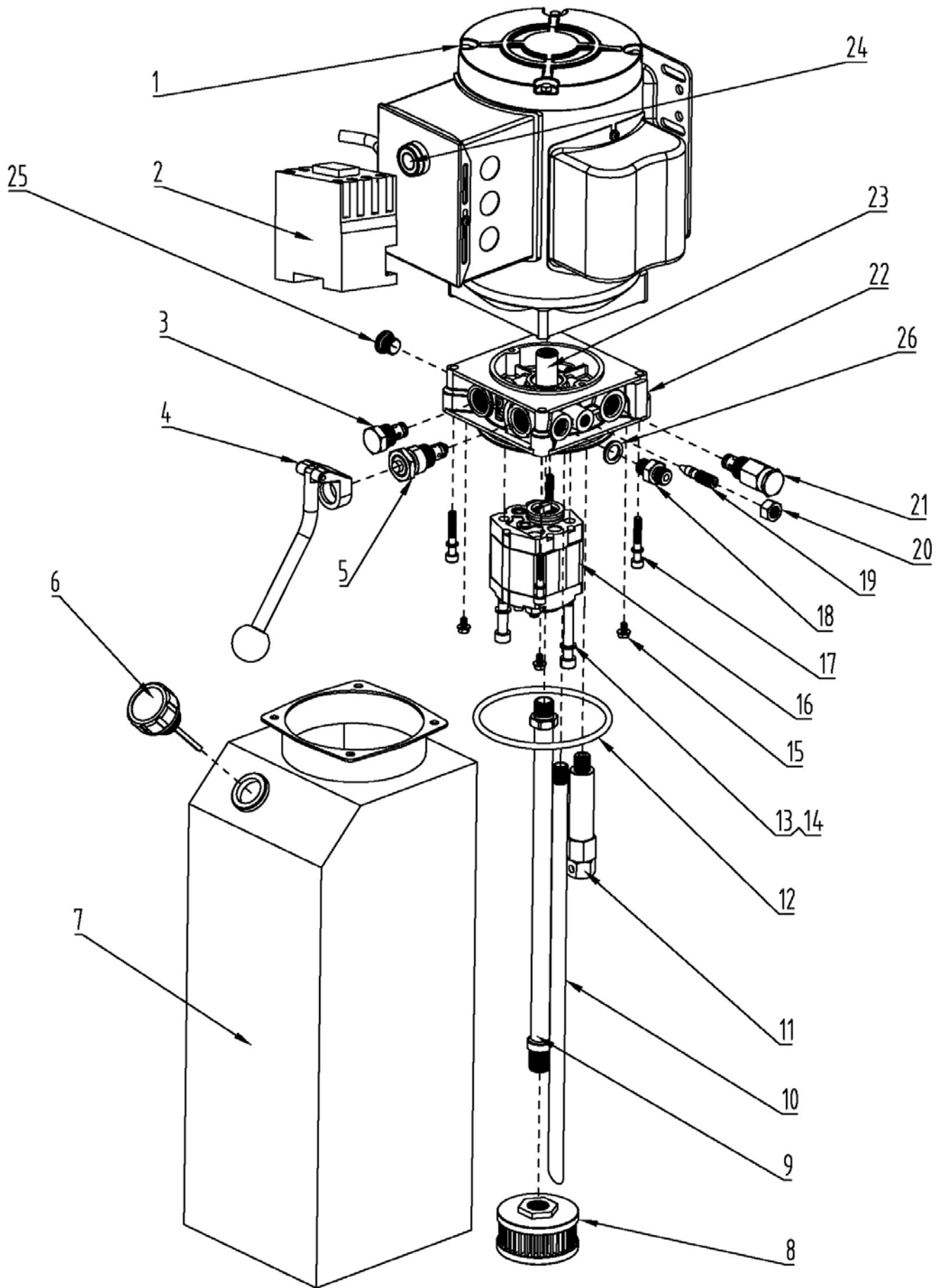
1. Power unit: if the power unit leaks hydraulic oil around the tank-mounting flange check the oil level in the tank. The level should be two inches below the flange of the tank. A screwdriver can be used as a "dipstick".
2. Cylinder - Piston Rod: the rod seal of the cylinder is out. Rebuild or replace the cylinder.
3. Cylinder - Vent: the piston seal of the cylinder is out. Rebuild or replace the cylinder.

## **LIFT MAKES EXCESSIVE NOISE / VIBRATES**

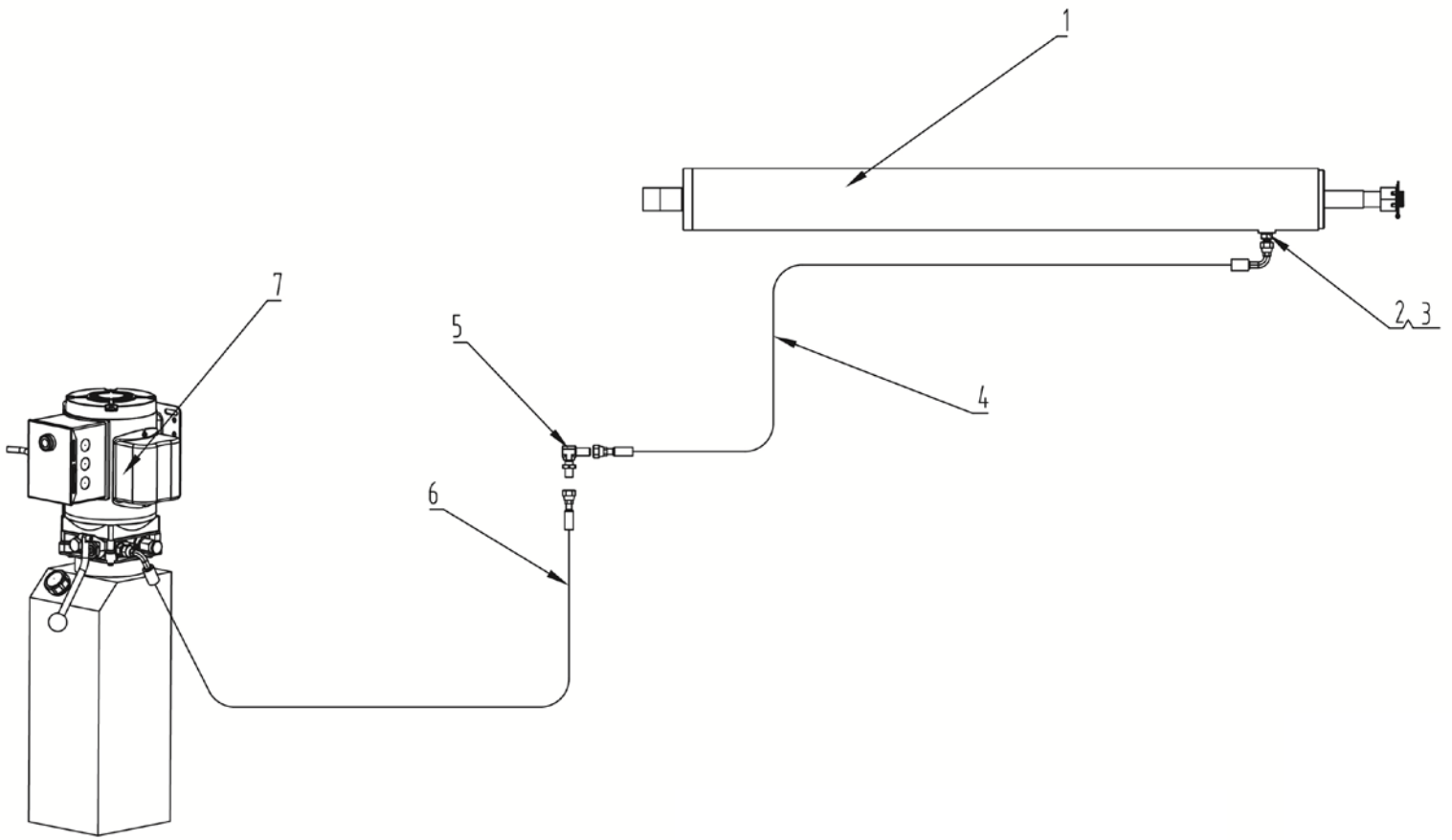
**Excessive noise from the lift is normally caused by the following:**

1. Cross beam ends are rubbing the columns. Readjustment needed.
2. Cylinder too tight, load lift half capacity and cycle up and down a few times to break in. Lift cylinder should quiet down with use. If not contact your Titan Lift Distributor to purchase an Oil Additive.
3. May have excessive wear on cable sheaves or shafts. Replace them.

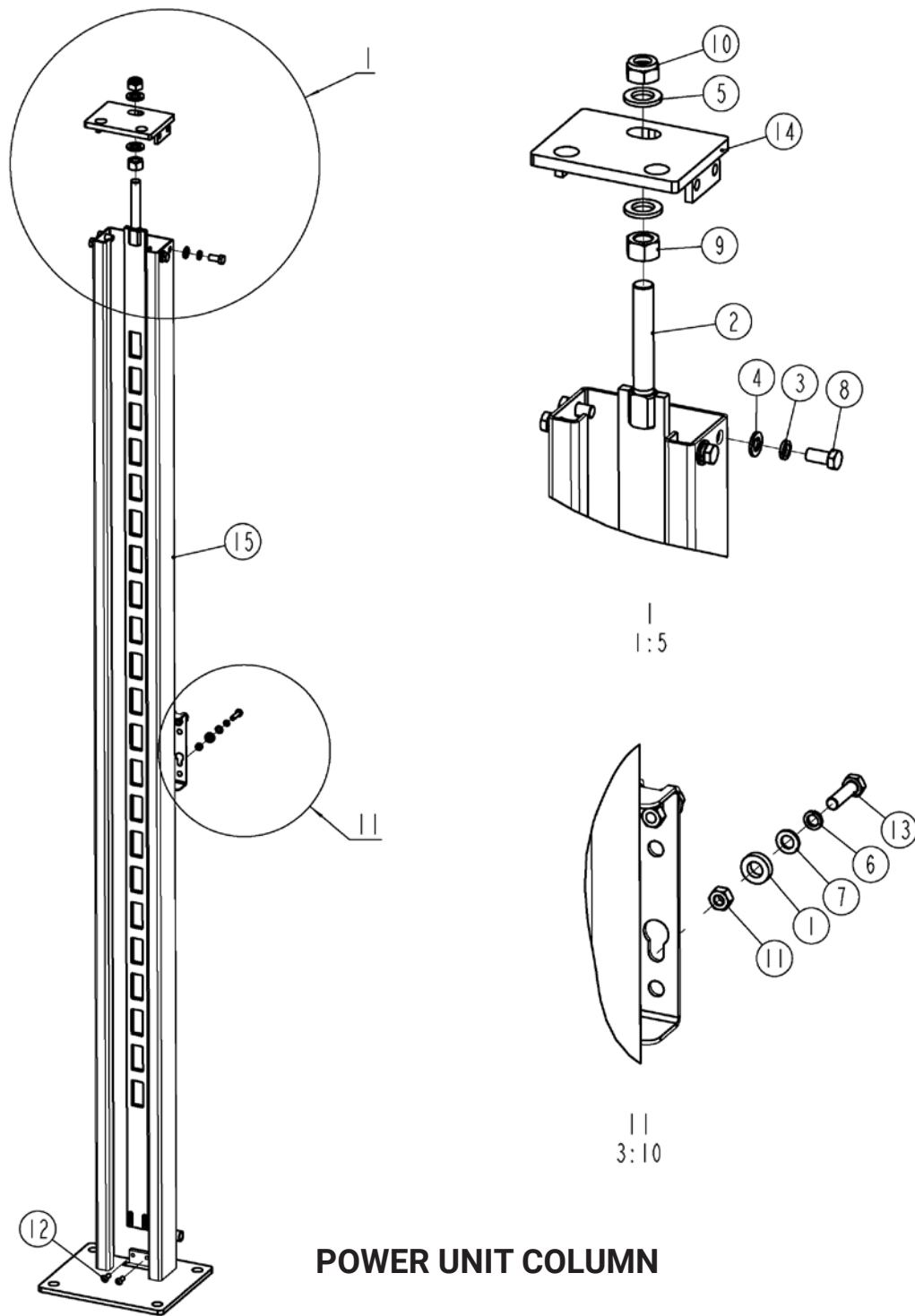
# 9-DIAGRAMS/PARTS



No.	Code	Description	QTY
1	320204285	Motor - Motor105V~120V/220~240V-1.1KW -1PH-60/50HZ-2P	1
2	320902008	AC contactor - TMC-18-120V	1
3	330302008	Single way valve - YBZ-E2D3I1/1-03	1
4	330303015	Manual unloading valve - YBZ-E2D3I1/1-02-B	1
5	330303016	Manual unloading valve spool - YBZ-E2D3I1/1-02-C	1
6	330502015	Breather - YBZ-BT-G3/4-C	1
7	330405069	Oil tank - 10L	1
8	330403003	Oil sucking filter - YBZ-E2D3I1/1-10	1
9	330401013	Oil sucking tube - YBZ-SJYG350	1
10	330402006	Oil sucking tube - YBZ-E2D3I1/1-09	1
11	330301003	Cushion valve - HCF-Z1/4	1
12	207101098	O-ring - 109*5.3	1
13	202109038	Bolt - M8X75-GB70_1	2
14	204201004	Spring washer - D8-GB93	2
15	201103017	Hex flange bolt - M5x8-GB5789	4
16	330201914	Gear pump - CBKA-F0.8F	1
17	202109096	Hex socket cylinder head screw - M6X40-GB70_1	4
18	330600001	Connector - GJT-G1/4-9/16-18UNF	1
19	330305015	Throttle valve - YBZ-E2D3I1/1-11A	1
20	203102003	Nut - M10x1-GB6172_1	1
21	330304014	Overflow valve - LHRV-08-42	1
22	330105027	Hydraulic block - YLBZ-T1KK-3	1
23	330404013	Coupling - YBZ-E2.1Y1W14/1-01(54mm)	1
24	320402011	Button - YW1B-M1E10 (UL)	1
25	210101019	Fitting - 9/16-18UNF	1
26	207101087	Type O Seal ring - 71*3.55	1



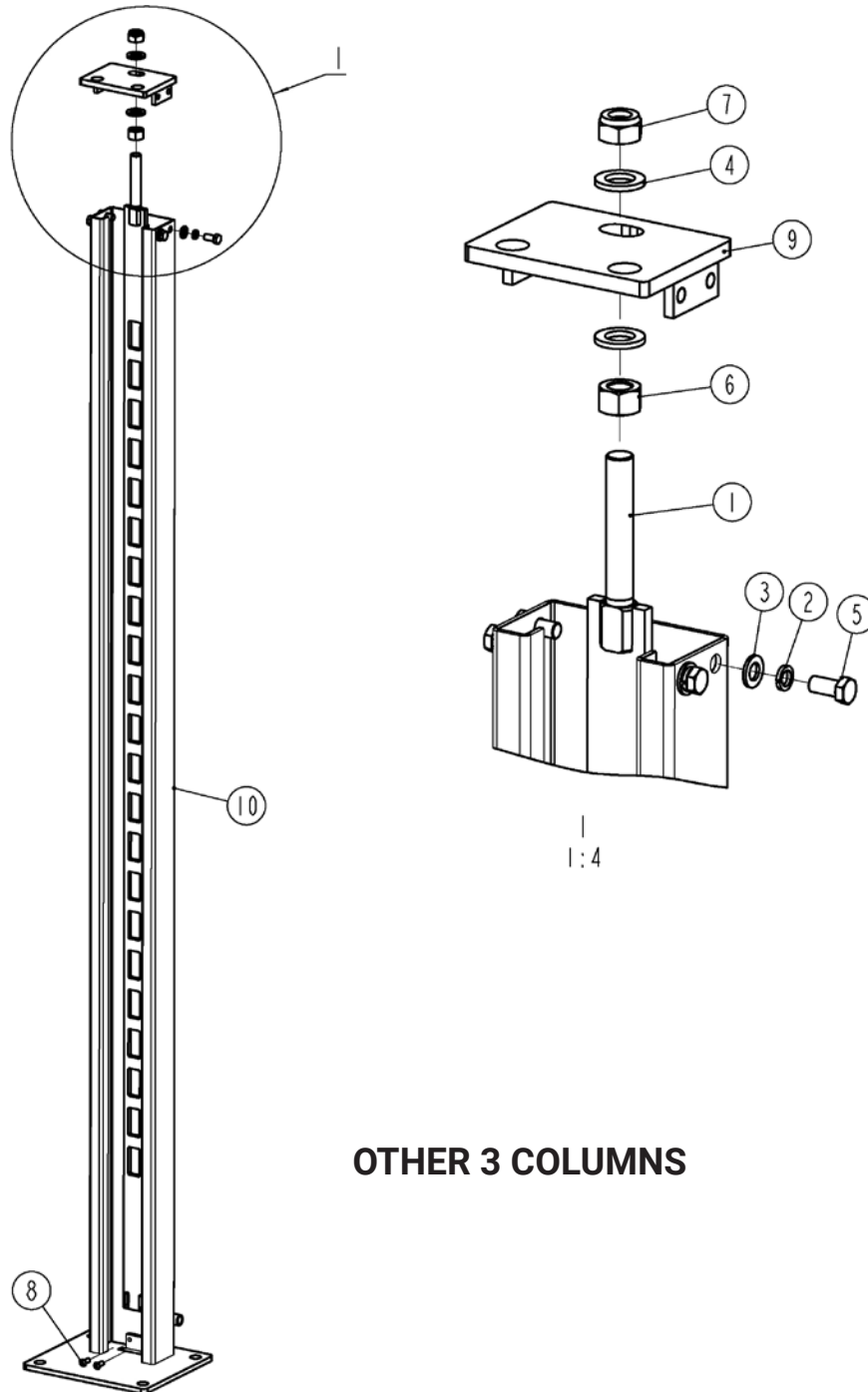
No.	Code	Description	QTY
1	625000041	Oil cylinder - YG95-108-930-1300	1
2	330305009	Relief valve for cylinder - BDPF-G14-G14-I60	1
3	207103025	Composite washer - 13.7*20.00*1.50	1
4	624008254	Oil hose - L=990	1
5	615022014	Right angle connector - 612E-A8	1
6	624008230	Oil hose - L=1460	1
7	622034439	Power unit - 1.1KW	1



**POWER UNIT COLUMN**

No.	Code	Description	QTY
1	420040010	Anti-vibrating pad - 6254E-A23	4
2	612032074	Ratchet for the locking device - 6445P-A1-B4	1
3	204201006	Spring washer - D12-GB93	4
4	204101007	Flat washer - D12-GB95	4
5	204101011	Flat washer - D20-GB95	2
6	204201004	Spring washer - D8-GB93	4
7	204101005	Flat washer - D8-GB95	4

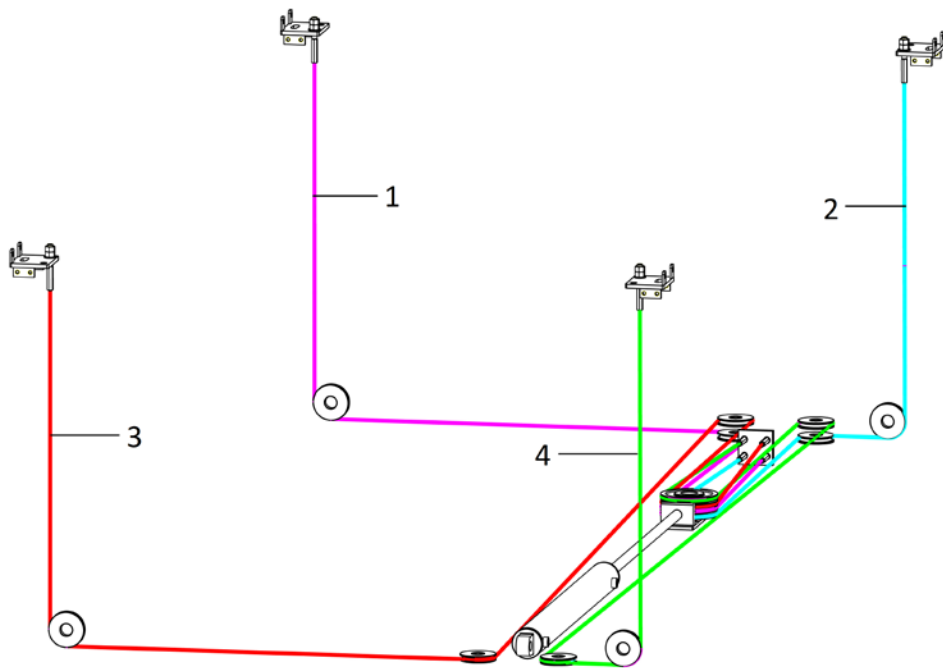
No.	Code	Description	QTY
8	201102026	Hex head full swivel bolt - M12X25-GB5783	4
9	203101012	Hex nut - M20-GB6170	1
10	203103012	Hex locking nut - M20-GB889_1	1
11	203101005	Hex nut - M8-GB6170	4
12	202110005	Hex socket button head screw - M8X20-GB70_2	2
13	201102013	Hex head full swivel bolt - M8X30-GB5783	4
14	614901740	Top plate of the post (welded piece) - P8-A1-B2	1
15	614901930	Power side post (welded piece) - P9-A1-B1	1



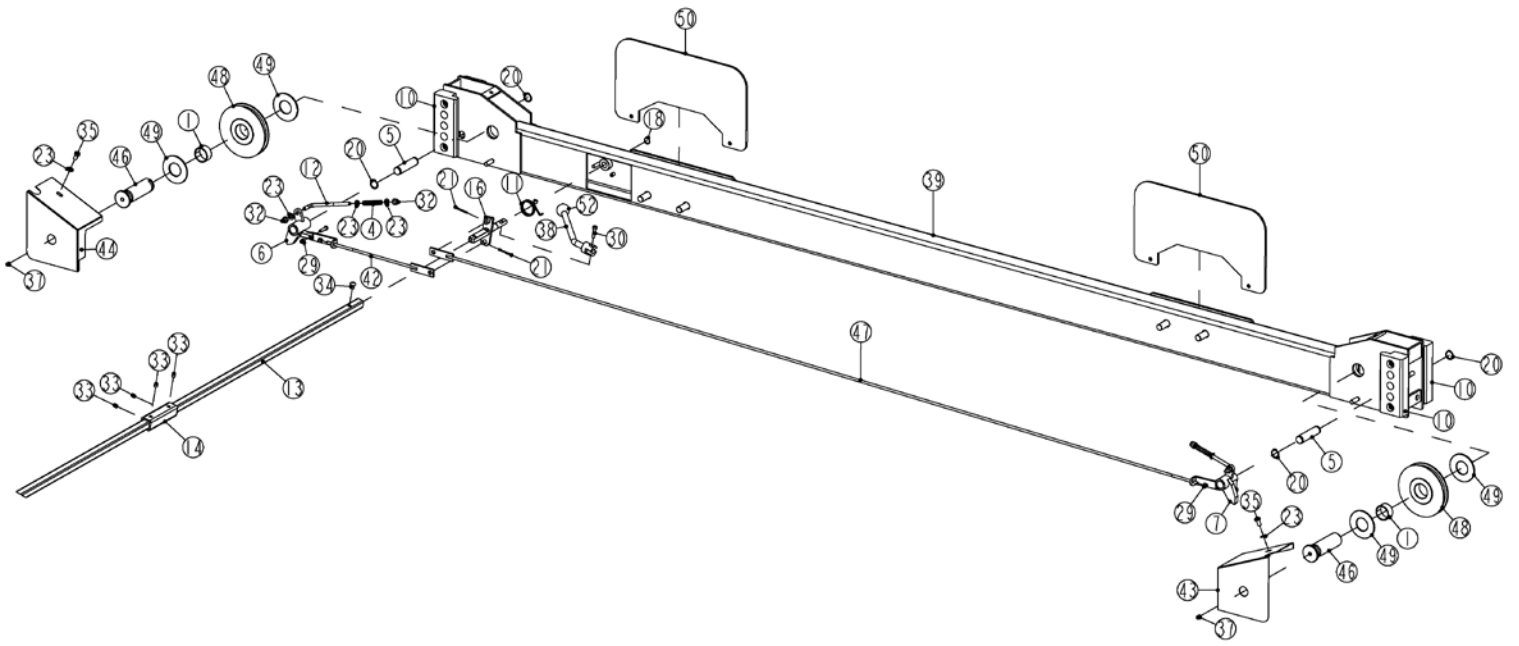
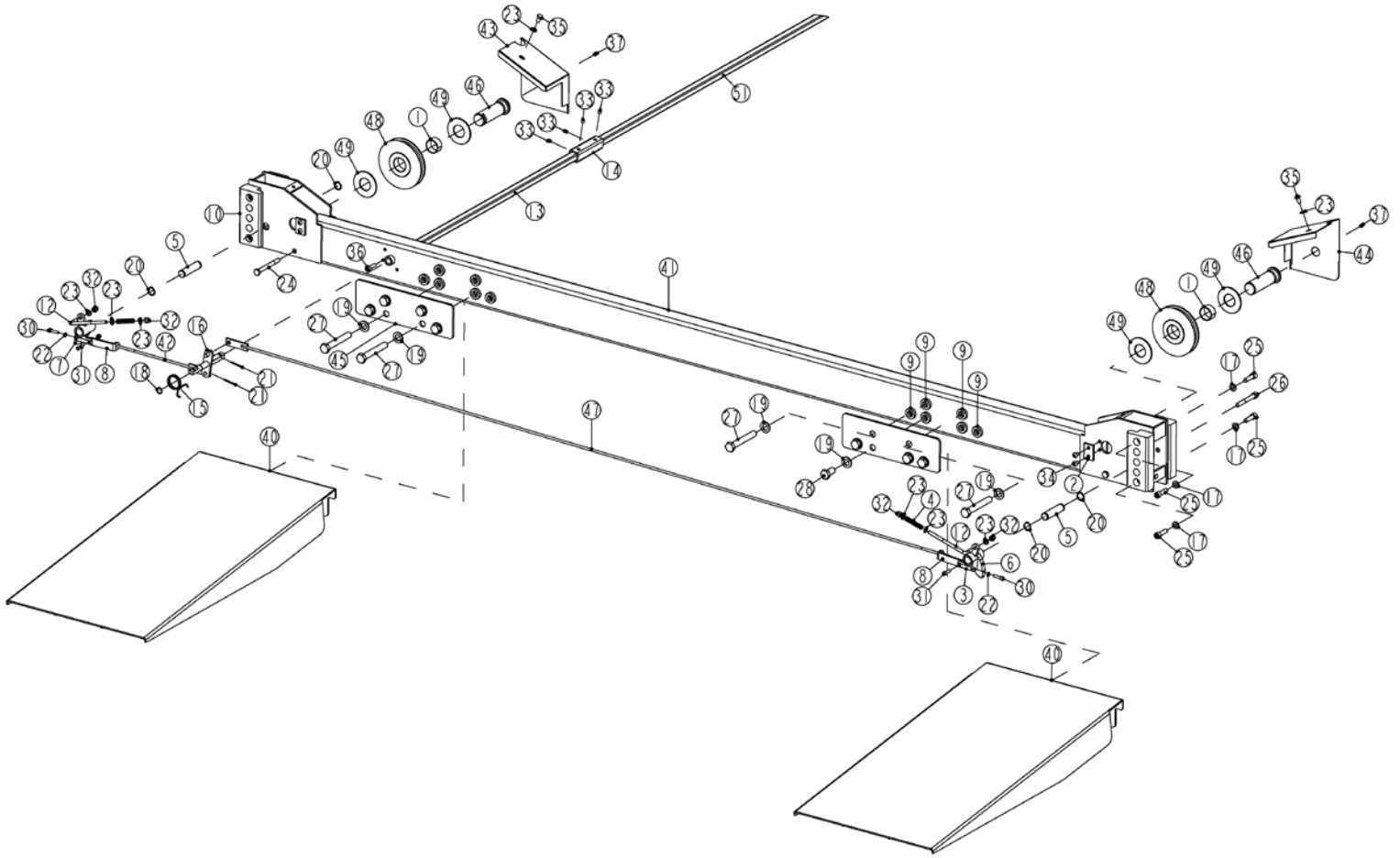
**OTHER 3 COLUMNS**



No.	Code	Description	QTY
1	612032074	Ratchet for the locking device - 6445P-A1-B4	1
2	204201006	Spring washer - D12-GB93	4
3	204101007	Flat washer - D12-GB95	4
4	204101011	Flat washer - D20-GB95	2
5	201102026	Hex head full swivel bolt - M12X25-GB5783	4
6	203101012	Hex nut - M20-GB6170	1
7	203103012	Hex locking nut - M20-GB889_1	1
8	202110005	Hex socket button head screw - M8X20-GB70_2	2
9	614901740	Top plate of the post (welded piece) - P8-A1-B2	1
10	614901931	The secondary post - P9-A2-B1	1

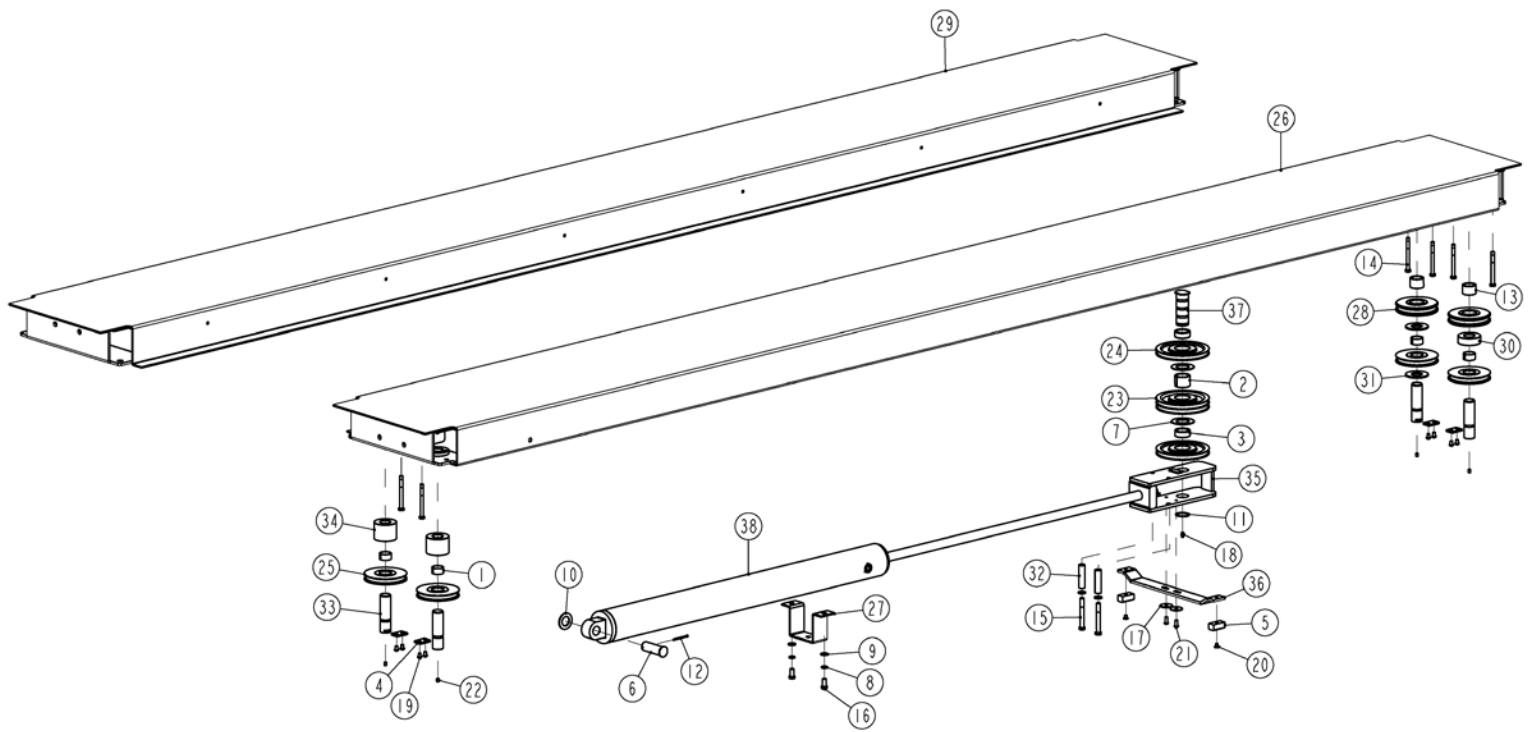


No.	Code	Description	QTY
1	615032087	Steel cable - L=7805	1
2	615032086	Steel cable - L=6215	1
3	615032089	Steel cable - L=12525	1
4	615032088	Steel cable - L=10930	1



<b>No.</b>	<b>Code</b>	<b>Description</b>	<b>QTY</b>
1	205101101	Bearing - 3520-SF-1X	4
2	410270101B	Shaft retaining block - 6435B-A3-B13	4
3	410270601	Adjustable post - 6435B-A3-B33	4
4	410300011	Spring washer - 6435M-A3-B32	4
5	410321611	Safety shaft - 64P-A7-B11	4
6	410321631	Safety block B1 - 64P-A7-B12	2
7	410321641	Safety block B2 - 64P-A7-B13	2
8	410321651	Adjustable plate B - 64P-A7-B14	4
9	410321681	Thicker washer - 64P-A7-B17	24
10	420321010B	Sliding block - 64P-A7-B18	8
11	410321691	Torsional spring - 64P-A7-B19	1
12	410321701	Adjustable rod A - 64P-A7-B20	4
13	410321483B	Linkage rod - 64P-A7-B21	2
14	410321493	Connecting Bushing - 64P-A7-B22	2
15	410321521	Torsional spring - 64P-A7-B25	1
16	612032042	Main swing rod assembly - 64P-A7-B3	2
17	204101006	Flat washer C - D10-GB95	16
18	204301004	Circlip - D15-GB894_1	2
19	204101009	Flat washer C - D16-GB95	24
20	204301007	Circlip - D20-GB894_2	8
21	206201001	Cotter pin - D2_5X30-GB91	4
22	204201003	Spring washer - D6-GB93	4
23	204101005	Flat washer C - D8-GB95	16
24	201101002	Hex bolt - M10X100-GB5780	4
25	202109044	Hex socket cylinder head screw - M10X35-GB70_1	16
26	202109075	Hex socket cylinder head screw - M10X80-GB70_1	4
27	201102069	Hex head half swivel bolt - M16X110-GB5782	8
28	201102040	Hex head full swivel bolt - M16X30-GB5783	16
29	203103005	Hex locking nut - M6-GB889_1	8
30	202109022	Hex socket cylinder head screw - M6X25-GB70_1	5
31	202110013	Hex socket button head screw - M6X25-GB70_2	4

<b>No.</b>	<b>Code</b>	<b>Description</b>	<b>QTY</b>
32	203103006	Hex locking nut - M8-GB889_1	8
33	202205006	Set-screw - M8X10-GB77	8
34	202110004	Hex socket button head screw - M8X12-GB70_2	10
35	201102011	Hex head full swivel bolt - M8X15-GB5783	4
36	202109031	Hex socket cylinder head screw - M8X30-GB70_1	2
37	208106002	Lubricating nipple - M8YP-JB9740_4	4
38	612901720	Release handle assembly - P8-A3-B15	1
39	614901934	Crossbeam A - P9-A3-B1	1
40	611901936	Aluminum ramp - P9-A3-B11	2
41	614901935	Crossbeam B - P9-A3-B2	1
42	612901896	Release plate A - P9-A3-B21	2
43	410912349	Crossbeam cover B - P9-A3-B22	2
44	410912350	Crossbeam cover A - P9-A3-B23	2
45	410912355	Installation plate for the ramp - P9-A3-B24	4
46	410912342	Pulley shaft A - P9-A3-B3	4
47	612901897	Release plate B - P9-A3-B4	2
48	410912343	Pulley A - P9-A3-B5	4
49	410912344	Large washer $\Phi$ 35 - P9-A3-B6	8
50	410912358	Front wheel-stop - P9-A3-B7	4
51	410912360	Transfer bar for the unlocking device - P9-A3-B8	1
52	208105003B	Handle ball - SBQ-D32	1



No.	Code	Description	QTY
1	205101101	Bearing - 3520-SF-1X	4
2	205101102	Bearing - 4034-SF-2X	1
3	205101099	Bearing - 40X50X18	2
4	410270101B	Shaft retaining block - 6435B-A3-B13	4
5	420270240	Guiding slider - 6435B-A4-B23	2
6	410270281	Cylinder shaft II - 6435B-A4-B26B	1
7	410278751	φ40 Flat washer - 6435B-A4-B34	2
8	204201006	Spring washer - D12-GB93	2
9	204101007	Flat washer - D12-GB95	4
10	204101015	Flat washer - D30-GB95	1
11	204301014	Circlip - D40-GB894_2	1
12	206201011	Cotter pin - D4X50-GB91	1
13	205202056	JDB-bearing - JDB-354530	2
14	201102082	Hex head full swivel bolt - M10X110-GB5783	6
15	201102070	Hex head half swivel bolt - M12X100-GB5782	2
16	201102026	Hex head full swivel bolt - M12X25-GB5783	2
17	204104001	Washer - M8-D40XD8_4X2_5	2

<b>No.</b>	<b>Code</b>	<b>Description</b>	<b>QTY</b>
18	208106001	Straight pressed oil cup - M8X1-JB9740_1	1
19	202110004	Hex socket button head screw - M8X12-GB70_2	8
20	202111004	Hex socket flat head screw - M8X12-GB70_3	2
21	202110005	Hex socket button head screw - M8X20-GB70_2	2
22	208106002	Lubricating nipple - M8YP-JB9740_4	4
23	410911663	Double slots pulley - P8-A4-B10	1
24	410911662	Single slot pulley - P8-A4-B9	2
25	410912343	Pulley A - P9-A3-B5	4
26	614901937	Master platform (welded piece ) - P9-A4-B1	1
27	410912385	Cylinder supporting plate - P9-A4-B11	1
28	410912383	Pulley B - P9-A4-B12	2
29	614901938	Slave platform (welded piece ) - P9-A4-B2	1
30	410912380	Stop Sheath A - P9-A4-B21	1
31	410912381	Stop Chip A - P9-A4-B22	2
32	410912393	Support tube for the pulley - P9-A4-B23	2
33	410912379	Pulley shaft B - P9-A4-B3	4
34	410912382	Stop sheath B - P9-A4-B5	2
35	614901939	Bracket for the pulley - P9-A4-B6	1
36	410912391	Cylinder guiding plate - P9-A4-B7	1
37	410912392	Pulley shaft - P9-A4-B8	1
38	625000041	P9 cylinder - YG95-108-1073-1400	1







# WARRANTY REGISTRATION

In order to utilize the warranty on this Titan Lifts product, you must register your product with us. The simplest way to do this is to visit [TITANLIFTS.COM/WARRANTIES](https://www.titanlifts.com/warranties) and submit your information online. If you prefer to send your information through the mail, please fill out the form below and send this page to us at :

**Titan Lifts  
PO Box 7069  
Greenwood, IN 46142**

EQUIPMENT MODEL: \_\_\_\_\_ SERIAL NUMBER: \_\_\_\_\_  
TYPE OF POWER UNIT: \_\_\_\_\_ SERIAL NUMBER: \_\_\_\_\_  
DATE OF PURCHASE: \_\_\_\_\_  
PLACE PURCHASED: \_\_\_\_\_  
NAME: \_\_\_\_\_  
STREET: \_\_\_\_\_  
CITY, STATE, ZIP: \_\_\_\_\_  
PHONE: \_\_\_\_\_  
EMAIL: \_\_\_\_\_

OPT OUT OF PROMOTIONS



In order to receive your warranty, return this card or visit [TITANLIFTS.COM/WARRANTIES](https://www.titanlifts.com/warranties) within 30 days.





# LIMITED WARRANTY

The **Titan 2 Post lifts, 4 Post lifts and Bridge Jacks** are backed by a standard **1-year** replacement parts warranty and a **5-year** structural warranty from the date of purchase, to the original purchaser only. The **1-year** replacement parts warranty covers power units, hydraulic cylinders, and all other assembly components such as, but not limited to: turn plates, slip plates, cables, chains, valves, switches etc. This does not cover normal wear items such as, but not limited to: rubber lifting pads and nylon slide blocks. Titan Elite model lifts have been discontinued but still qualify under the same terms as shown above.

**Titan 2 Post Master Series, SL-6600 Scissor Lifts and PREMIER Series 2 Post Lifts** are backed by a **2-year** replacement parts warranty and a **5-year** structural warranty from the date of purchase, to the original purchaser only. The **2-year** replacement parts warranty covers power units, hydraulic cylinders, and all other assembly components such as, but not limited to: valves, switches, capacitors etc. This does not cover normal wear items such as, but not limited to: rubber lifting pads and rubber arm pads.

**Titan Master Series 2 post lifts** includes lifetime warranty on nylon slide blocks.

**Titan 4 Post Master Series** are backed by a **2-year** replacement parts warranty and a **6-year** structural warranty from the date of purchase, to the original purchaser only. The **2-year** replacement parts warranty covers power units, hydraulic cylinders, and all other assembly components such as, but not limited to: turn plates, slip plates, cables, chains, valves, switches etc. This does not cover normal wear items such as, but not limited to: rubber lifting pads and nylon slide blocks.

**Titan Master Series Aluminum Deck Kit** are backed by a **90 day** replacement.

**Titan MRL-6000 Scissor lifts** are backed by a standard **1-year** replacement parts warranty and a **5-year** structural warranty from the date of purchase, to the original purchaser only. The **1-year** replacement parts warranty covers power units, hydraulic cylinders, and all other assembly components such as, but not limited to: valves, switches, capacitors etc. This does not cover normal wear items such as but not limited to rubber lifting pads.

**Titan ROT-4500 Rotisseries** are backed by a standard **1-year** replacement parts warranty from the date of purchase, to the original purchaser only. The **1-year** replacement parts warranty covers components such as, but not limited to: hydraulic cylinders, caster assemblies, bearings etc. This does not cover normal wear items such as, but not limited to, mounting adapters.

**Titan Standard Duty and Heavy Duty motorcycle lifts** are backed by a standard **1-year** replacement parts warranty from the date of purchase, to the original purchaser only. The **1-year** replacement parts warranty covers power units, hydraulic cylinders, pneumatic cylinders, and all other assembly components such as, but not limited to: cables, caster wheels, valves, switches, wheel vises etc. This does not cover normal wear items such as, but not limited to: rubber wheel vise pads.

**Titan Light Duty motorcycle lifts** are warranted for replacement parts only to the original purchaser for a period of **90 days** from the date of purchase. This **90 day** replacement parts warranty covers items such as, but not limited to: hydraulic cylinder, casters, pedal assemblies, wheel vises etc. This does not cover normal wear items such as, but not limited to: rubber wheel vise pads.

**Titan Bulldog Moto Cradle Wheel Chock** is warranted for replacement parts, only to the original purchaser, for a period of **2-years** from the date of purchase.

**XL Tool by Titan Wheel Service Machines and Helper Arm Assemblies** are backed by a standard **1-year** replacement parts warranty from the date of purchase, to the original purchaser only. The **1-year** replacement parts warranty covers internal boards, motors, pneumatic cylinders, and all other assembly components such as, but not limited to: cabinet, switches, valves, fittings etc. This does not cover normal wear items such as but not limited to: rubber pads, jaw protectors, air hoses, quick nut assemblies.

**Titan shop equipment products and accessories** are warranted for replacement parts only to the original purchaser for a period of **90 days** from the date of purchase. This **90 day** replacement parts warranty covers products such as but not limited to: EZ -Mover Jacks, Mini Jacks, tie down products, wheel service accessories, Bulldog Moto Cradle Wheel Chock accessories, dollies, stands, Multi-purpose Jacks, replacement power units purchased as stand alone units, etc.

**Titan TJ1T, FJ2T, and FJ3T** are warranted for replacement parts only to the original purchaser for a period of **1 year** from the date of purchase.

**All non-serialized items** will require proof of purchase in the form of a sales receipt from an authorized Titan Lifts dealer showing the date of purchase for any warranty consideration.

For **all** warranty considerations, Titan Marketing, LLC will supply replacement parts only during the warranty period. The original purchaser is responsible for all shipping, handling, and any labor charges incurred. Hydraulic/Pneumatic cylinders may qualify for exchange under warranty if reported within the first 30 days from date of sale. After the first 30 days from date of sale, a seal kit and installation instructions will be sent for cylinder repairs. All defective parts must be returned to Titan for inspection and examination. Any parts that are found to be defective will be replaced or repaired to proper working order. Other items not listed above may be considered general wear parts and therefore, will not be covered under warranty. These warranties **do not** extend to **defects** caused by ordinary wear, abuse, misuse, shipping damage, improper installation, voltage or lack of required maintenance. Titan Marketing, LLC is **not** to be held responsible for any **failure** that results from an accident, purchaser/operator abuse, neglect, or failure to operate products in accordance with instructions provided in the owner's manual(s) supplied. Damage caused by rain, excessive humidity, corrosive environments or other contaminants are not covered under warranty. **THESE WARRANTIES DO NOT EXTEND TO ANY COSMETIC DEFECT NOT INTERFERING WITH EQUIPMENT FUNCTIONALITY OR ANY INCIDENTAL, INDIRECT, OR CONSEQUENTIAL LOSS, DAMAGE, OR EXPENSE THAT MAY RESULT FROM ANY DEFECT, FAILURE OR MALFUNCTION OF A TITAN MARKETING LLC PRODUCT OR THE BREACH OR DELAY IN PERFORMANCE OF THE WARRANTY.**

 **WARNING** 

The warnings, precautions and instructions in this manual cannot cover all possible conditions and situations that may occur. The operator must understand that the operator must supply common sense and examine caution factors when using this product to determine safety in all circumstances being used.



**TITAN MARKETING, LLC**

PO Box 7069 Greenwood, IN 46142  
1.888.908-4826 FAX (317) 215.2770  
[www.titanlifts.com](http://www.titanlifts.com)

**Patent No.: US 8,104,588 B2  
CA 2,729,670**