



INSTALLATION, OPERATION, & MAINTENANCE MANUAL



MODEL:

**LDML-1000L
1,000 LB CAPACITY AIR/HYDRAULIC MOTORCYCLE LIFT**

⚠ FOLLOW THIS MANUAL CAREFULLY TO ENSURE THE MACHINE WILL FUNCTION CORRECTLY AND PROVIDE MANY YEARS OF DEPENDABLE SERVICE. FAILURE TO FOLLOW THESE INSTRUCTIONS AND SAFETY WARNINGS MAY RESULT IN PERSONAL INJURY OR PROPERTY DAMAGE. USE OF STRAPS IS RECOMMENDED - SOLD SEPARATELY. KEEP THIS MANUAL IN A SAFE DRY PLACE FOR FUTURE REFERENCE.



TITAN MARKETING, LLC

PO Box 7069 Greenwood, IN 46142
1.888.908-4826 FAX (317) 215.2770
www.titanlifts.com

To Our Valued Customers:

Thank you for purchasing a Titan Lifts® product. We hope this high quality equipment provides you with years of dependable service.

It is unfortunate that rare situations may occur with the products you purchase from Titan Lifts®. We value your business as well as the trust you have and need to maintain your relationship with us. Titan Lifts® carries liability coverage that may protect our customers if a situation does occur. However, as in all accidents there must be proof of liability for a claim to be made. Our insurance company requires the following procedures be observed in order to consider a claim:

- A. The claimant must contact the Titan Lifts® distributor immediately with the facts of the situation.
- B. If any equipment is damaged, including vehicles or shop equipment, Titan Lifts® must be given the opportunity to send an impartial representative to the site for proper assessment of the situation.
- C. The Vehicle cannot be moved until either an impartial representative has reviewed the accident or clear and precise pictures are taken that reflect all the pertinent information for an impartial representative to be able to access the information from a distance. Titan Lifts® or its representatives must approve the pictures before anything can be moved.
- D. If any potential liability is determined on behalf of Titan Lifts®, two estimates must be submitted for damages to be reimbursed.

It is imperative that the claimant complies with these procedures, because without proper assessment of the situation a claim will be denied.

ARBITRATION NOTICE

The installation or use of this equipment shall constitute an acknowledgement that the user agrees to resolve any and all disputes or claims of any kind whatsoever, which relate in any way to the equipment, by way of binding arbitration, not litigation. No suit or legal action may be filed in any state or federal court. Any arbitration shall be governed by the Federal Arbitration Act, and administered by the American Mediation Association, Indianapolis Indiana. The maximum amount that an arbitrator may award and all damages shall not exceed the retail value of this equipment.

WARRANTY NOTICE

This equipment must be assembled and used in the manner according to the documentation provided to be covered by warranty.

Damaged or missing components must be reported within 72 hours of receipt to your freight carrier and to the distributor. Claims must be filed to cover cost.

If you have any questions or if we can be of any further assistance, please don't hesitate to contact a Titan Lifts® representative at 1-888-908-4826. Thank you for the opportunity to continue to serve your lift equipment needs.

CONTENTS

INSTRUCTIONS	4
UNPACKING AND SET-UP *REFER TO PARTS LIST FIG. 1	4
BEFORE FIRST USE	4
OPERATION & MAINTENANCE	5
SAFETY PRECAUTIONS	6
PARTS LIST (FIG. 1)	7
PARTS LIST (FIG. 1) - CONTINUED.....	8
PARTS LIST (FIG. 1) - CONTINUED.....	8
PUMP PARTS LIST (FIG. 2).....	9
PUMP PARTS LIST (FIG. 2) - CONTINUED	10

INSTRUCTIONS



WARNING: READ ENTIRE MANUAL AND COMPLY WITH ALL SAFETY AND SERVICE PRECAUTIONS. DEATH, PERSONAL INJURY AND/OR PROPERTY DAMAGE MAY OCCUR IF INSTRUCTIONS ARE NOT FOLLOWED CAREFULLY.

UNPACKING AND SET-UP *REFER TO PARTS LIST FIG. 1

1. Carefully unpack the lift making sure that all of the parts have been included.
2. Remove the lift and all parts from delivery pallet and place on a clean, solid flat surface.
3. Place the sliding plate (36) to the platform (35) to cover the rear wheel removal aperture.
4. Attach ramp plate (37) to end of platform (35) using washers (23) and R-pins (04).
5. Fit the front wheel vice assembly (34) to the front of the platform using bolts (64 & 64.1), washers (23) and nuts (30).
6. Attach the wheels and casters (44) and (14) using the supplied hardware.
7. Fit the lift foot pedal (11) to the pump piston spindle (09) and fit the release foot pedal (10) to the release valve spindle (05).

BEFORE FIRST USE

1. Allow the oil to settle before purging the system.
2. Connect the quick coupler-male into the air supply hose quick coupler-female and fully press the release foot pedal (10), then turn on the air controller (53) letting the pump work for 20 seconds to eliminate any air in the hydraulic system.
3. Test the lift, without a load, by raising it to full height and then lowering it. Depress release foot pedal (10) slowly to control the rate of descent.

NOTE: FAILURE TO ALLOW SUFFICIENT TIME FOR THE OIL TO SETTLE COULD RESULT IN AIR REMAINING IN THE OIL. IN THIS EVENT, THE PUMP WILL NOT PURGE COMPLETELY FIRST TIME AND A SECOND PURGE WILL BE REQUIRED.



WARNING: THE LIFT MAY BE DAMAGED AND/OR PERSONAL INJURY MAY RESULT IF THE PRESSURE EXCEEDS THE RECOMMENDED PSI RATING.

OPERATION & MAINTENANCE



WARNING: TEST THE LIFT SEVERAL TIMES FOR PROPER OPERATION BEFORE ATTEMPTING TO LIFT A LOAD. DO NOT ATTEMPT TO OVERLOAD THE LIFT.

- 1) Position the lift in a suitable area, checking that the surface on which the lift will stand is solid and flat.
- 2) Turn the adjusting screw assy (18) down to raise the castors off the ground to prevent the lift from moving.
- 3) Roll the motorcycle into the vise.
- 4) Clamp front wheel in vice to prevent any movement of the motorcycle.
- 5) Strap the motorcycle securely to the platform.
- 6) Connect the quick coupler-male into the air supply hose quick coupler-female, then turn on the air valve to raise the lift. When air source is not available, pump the lift foot pedal (11) to raise the lift.
- 7) When the platform has been raised to the working height, turn off the air valve (or stop pumping) and insert the locking bar (22) through the holes in the front lifting arm (38) so that the lift cannot be inadvertently lowered.
- 8) When work is done, check under the lift to ensure that there are no obstructions and that it is safe to lower the unit. Slightly raise the lift off the locking bar (22). Remove the locking bar (22) and then SLOWLY press the release foot pedal to GENTLY lower the lift.

NOTE: THE SPEED OF LOWERING IS CONTROLLED BY THE RELEASE VALVE. THE MORE THE VALVE IS OPENED THE MORE RAPIDLY THE LIFT DESCENDS. ENSURE THE DECENT IS SLOW AND CONTROLLED.

- 9) When the lift is fully lowered, unstrap the motorcycle, open the vice jaws and remove the cycle from the lift.
- 10) When not in use, the lift must be stored in the lowest position in a dry location to minimize ram and piston corrosion.
- 11) Keep the lift clean and wipe off any oil or grease. Lubricate all moving parts.
- 12) Periodically check the ram and piston for signs of corrosion. Clean exposed areas with a clean oiled cloth.
- 13) Before each use check all parts. If any part of the lift is damaged or suspect, remove the lift from service and take necessary action to repair.
- 14) Check the hydraulic oil level. If not adequate, remove the filler plug (P33) on the pump and add hydraulic oil as necessary. Do NOT use brake fluid or any other improper fluid. Only a high quality hydraulic jack oil may be used.

SAFETY PRECAUTIONS

1. Load should not exceed rated capacity for this lift - 1,000lb
2. 90-100PSI shop air needed. Do **NOT** exceed the PSI rating.
3. Make sure the safety bar is down in the locked position while the lift is in the raised position.
4. Move the lift only when it is lowered.
5. Do **NOT** ride vehicle onto lift.
6. Only trained people should operate the lift.
7. Foot operated air valve should be at least 3 feet away when operating. Remain clear of the lift when raising or lowering.
8. Indoor use recommended.
9. Do **NOT** move lift while loaded.
10. Keep hands, tools and other extremities from under carriage and moving parts.
11. Maintain a safe working environment. The work area should be clean, dry, clutter free and sufficiently lit.
12. Wear proper ANSI-approved safety attire. Do **NOT** wear loose fitting clothing while operating lift, long hair and sleeves should be secured.
13. Keep children and bystanders away from work area. Do **NOT** let children operate or play on lift.
14. Do **NOT** use if under the influence of drugs or alcohol. Operator must be alert at all times when using heavy lift equipment.
15. Never operate the lift with someone on it.
16. Use this lift only for the work it is intended. Do **NOT** use this product for an application for which it was not designed. Misuse can lead to personal injury and/or property damage.
17. Industrial applications must follow OSHA requirements.
18. Do **NOT** use for aircraft purposes.
19. Have your lift serviced by a qualified technician using only identical Titan Lifts® replacement parts and attachments. This will ensure that the safety of the lift is maintained.

PLEASE READ THE FOLLOWING CAREFULLY

THE MANUFACTURER AND/OR DISTRIBUTOR HAS PROVIDED THE PARTS LIST AND ASSEMBLY DIAGRAM IN THIS MANUAL AS A REFERENCE TOOL ONLY. THE MANUFACTURER OR DISTRIBUTOR DOES NOT MAKE ANY REPRESENTATION OR WARRANTY OF ANY KIND TO THE BUYER THAT HE OR SHE IS QUALIFIED TO MAKE ANY REPAIRS TO THE PRODUCT, OR THAT HE OR SHE IS QUALIFIED TO REPLACE ANY PARTS OF THE PRODUCT. THE MANUFACTURER AND/OR DISTRIBUTOR EXPRESSLY STATES THAT ALL REPAIRS AND PARTS REPLACEMENTS SHOULD BE PERFORMED BY CERTIFIED AND LICENSED TECHNICIANS, AND NOT BY THE BUYER. THE BUYER ASSUMES ALL RISK AND LIABILITY ARISING OUT OF HIS OR HER REPAIRS TO THE ORIGINAL PRODUCT OR REPLACEMENT PARTS THERETO, OR ARISING OUT OF HIS OR HER INSTALLATION OF REPLACEMENT PARTS THERETO.

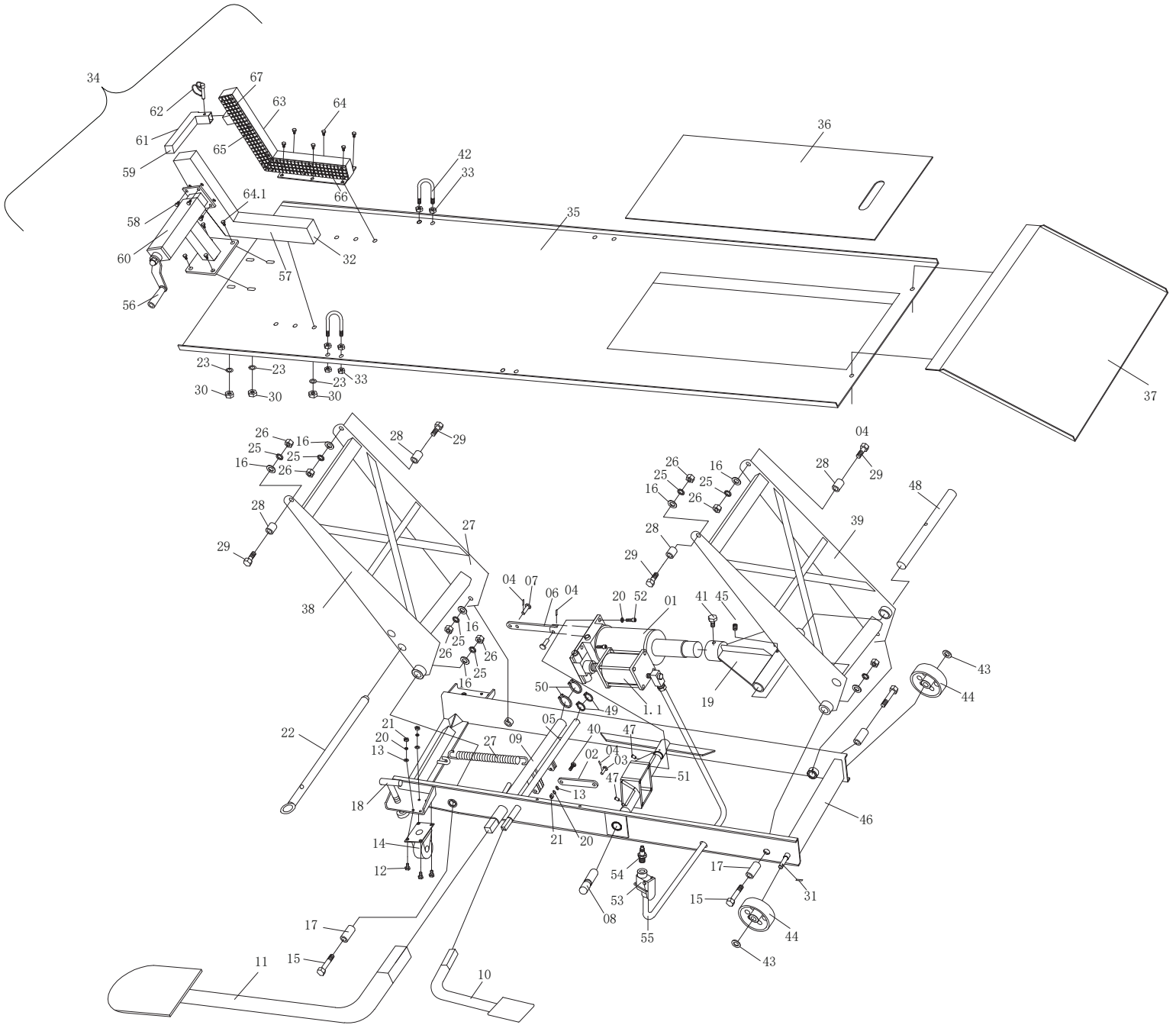
Product's Serial Number: _____

Note: If product does not have a serial number, record the month and year of purchase instead.

Note: Some parts are listed and shown for illustration purposes only, and are not available individually as replacement parts.

PARTS LIST (FIG. 1)

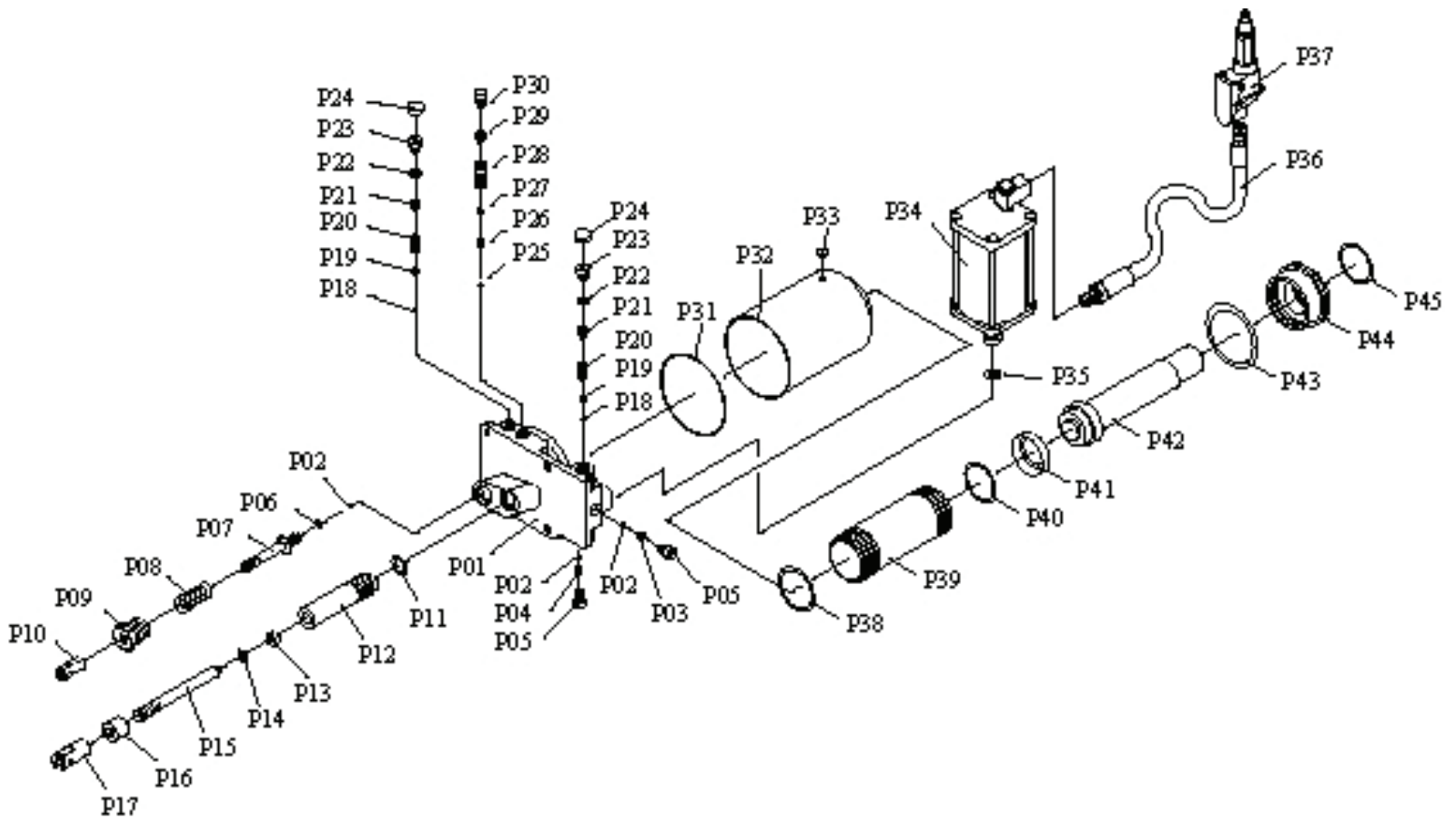
PLEASE MAKE SURE TO CONFIRM THAT ALL PARTS ARE INCLUDED.



PARTS LIST (FIG. 1) - CONTINUED

NO.	DESCRIPTION	QTY	NO	DESCRIPTION	QTY
1	HYDRAULIC PUMP	1	35	PLATFORM	1
1.1	AIR PUMP	1	36	SLIDING PLATE	1
2	LINK	1	37	LEADING PLATE	
3	PIN	1	38	FRONT LIFTING ARM	1
4	R-PIN	3	39	REAR LIFTING ARM	1
5	RELEASE VALVE SPINDLE	1	40	BOLT M6x30	1
6	LINK	1	41	BOLT M8x12	1
7	PIN	2	42	U-CLAMP	2
8	PUMP SHAFT LOCATION	2	43	WASHER 13.5mm	2
9	PUMP PISTON SPINDLE	1	44	FRONT WHEEL	2
10	RELEASE FOOT PEDAL	1	45	SET SCREW M8x12	1
11	LIFT FOOT PEDAL	1	46	BASEPLATE WELDED PARTS	1
12	BOLT M6x16	8	47	SET SCREW M6x10	2
13	WASHER 6mm	9	48	LIFTING ARM SPINDLE	1
14	CASTER FORK ASSY	2	49	RETAINING RING	2
15	BOLT M12x70	4	50	RETAINING RING	2
16	WASHER 12mm	8	51	PUMP BASE	1
17	BUSH	4	52	BOLT M6x20	4
18	ADJUSTING SCREW ASSY	2	53	CONTROLLER	1
19	CONNECTION	1	54	HOSE FITTING	1
20	LOCK WASHER 6mm	9	55	AIR HOSE	1
21	NUT M6	9	56	VICE HANDLE - PLASTIC	1
22	LOCKING BAR	1	57	MOVEABLE CLAMP (COLOR)	1
23	WASHER 10mm	4	58	BOLT VISE ATTACHMENT	4
24	BOLT M10x25	4	59	PLASTIC WHEEL STOP ENDCAP - BLK	2
25	LOCK WASHER 12mm	8	60	CRANK ASSEMBLY (COLOR)	1
26	NUT M12	8	61	TIRE STOP (COLOR)	1
27	SPRING	1	62	WHEEL STOP PIN	1
28	BUSH	4	63	FIXED CLAMP (COLOR)	1
29	BOLT M12x65	4	64	BOLT 18mm	6
30	NUT M10	4	64.1	BOLT 25mm	4
31	COTTER PIN	2	65	RUBBER VISE PAD - LEFT	2
32	PLASTIC VISE END CAP - BLK	4	66	RUBBER VISE PAD - RIGHT	2
33	NUT M8	8	67	FLAT HEAD MACHINE SCREW	24
34	COMPLETE VISE ASSEMBLY (COLOR)	1			

PUMP PARTS LIST (FIG. 2)



PUMP PARTS LIST (FIG. 2) - CONTINUED

NO.	DESCRIPTION	QTY	NO	DESCRIPTION	QTY
1	BASE	1	24	SCREW PROTECTOR	2
2	STEEL BALL	3	25	STEEL BALL	1
3	SPRING	1	26	SPRING	1
4	SPRING	1	27	STEEL BALL	1
5	SCREW	2	28	SPRING	1
6	O-Ring	1	29	SCREW	1
7	RELEASE VALVE	1	30	SCREW	1
8	SPRING	1	31	RING	1
9	NUT	1	32	RESERVOIR	1
10	UNION NUT	1	33	FILLER PLUG	1
11	COPPER WASHER	1	34	AIR MOTOR	1
12	REGULATING PLUG	1	35	SEAL RING	1
13	SEALING RING	1	36	AIR HOSE	1
14	NYLON RING	1	37	AIR VALVE	1
15	PUMP PISTON	1	38	NYLON RING	1
16	NUT	1	39	CYLINDER	1
17	UNION NUT	1	40	O-RING	1
18	STEEL BALL	2	41	NYLON RING	1
19	BALL CUP	2	42	PISTON ROD	1
20	SPRING	2	43	NYLON RING	1
21	SCREW	2	44	TOP NUT	1
22	O-RING	2	45	O-RING	1
23	SCREW	2			

WARRANTY REGISTRATION

In order to utilize the warranty on this Titan Lifts product, you must register your product with us. The simplest way to do this is to visit [TITANLIFTS.COM/WARRANTIES](https://www.titanlifts.com/warranties) and submit your information online. If you prefer to send your information through the mail, please fill out the form below and send this page to us at :

**Titan Lifts
PO Box 7069
Greenwood, IN 46142**

EQUIPMENT MODEL: _____ SERIAL NUMBER: _____
TYPE OF POWER UNIT: _____ SERIAL NUMBER: _____
DATE OF PURCHASE: _____
PLACE PURCHASED: _____
NAME: _____
STREET: _____
CITY, STATE, ZIP: _____
PHONE: _____
EMAIL: _____

OPT OUT OF PROMOTIONS



In order to receive your warranty, return this card or visit [TITANLIFTS.COM/WARRANTIES](https://www.titanlifts.com/warranties) within 30 days.



LIMITED WARRANTY

The **Titan 2 Post lifts, 4 Post lifts and Bridge Jacks** are backed by a standard **1-year** replacement parts warranty and a **5-year** structural warranty from the date of purchase, to the original purchaser only. The **1-year** replacement parts warranty covers power units, hydraulic cylinders, and all other assembly components such as, but not limited to: turn plates, slip plates, cables, chains, valves, switches etc. This does not cover normal wear items such as, but not limited to: rubber lifting pads and nylon slide blocks. Titan Elite model lifts have been discontinued but still qualify under the same terms as shown above.

Titan SL-6600 Scissor Lifts and PREMIER Series 2 Post Lifts are backed by a **2-year** replacement parts warranty and a **5-year** structural warranty from the date of purchase, to the original purchaser only. The **2-year** replacement parts warranty covers power units, hydraulic cylinders, and all other assembly components such as, but not limited to: valves, switches, capacitors etc. This does not cover normal wear items such as, but not limited to: rubber lifting pads, nylon slide blocks and rubber arm pads.

Titan MRL-6000 Scissor lifts are backed by a standard **1-year** replacement parts warranty and a **5-year** structural warranty from the date of purchase, to the original purchaser only. The **1-year** replacement parts warranty covers power units, hydraulic cylinders, and all other assembly components such as, but not limited to: valves, switches, capacitors etc. This does not cover normal wear items such as but not limited to rubber lifting pads.

Titan ROT-4500 Rotisseries are backed by a standard **1-year** replacement parts warranty from the date of purchase, to the original purchaser only. The **1-year** replacement parts warranty covers components such as, but not limited to: hydraulic cylinders, caster assemblies, bearings etc. This does not cover normal wear items such as, but not limited to, mounting adapters.

Titan Standard Duty and Heavy Duty motorcycle lifts are backed by a standard **1-year** replacement parts warranty from the date of purchase, to the original purchaser only. The **1-year** replacement parts warranty covers power units, hydraulic cylinders, pneumatic cylinders, and all other assembly components such as, but not limited to: cables, caster wheels, valves, switches, wheel vises etc. This does not cover normal wear items such as, but not limited to: rubber wheel vise pads.

Titan Light Duty motorcycle lifts are warrantied for replacement parts only to the original purchaser for a period of **90 days** from the date of purchase. This **90 day** replacement parts warranty covers items such as, but not limited to: hydraulic cylinder, casters, pedal assemblies, wheel vises etc. This does not cover normal wear items such as, but not limited to: rubber wheel vise pads.

Titan Bulldog Moto Cradle Wheel Chock is warrantied for replacement parts, only to the original purchaser, for a period of **2-years** from the date of purchase.

XL Tool by Titan Wheel Service Machines and Helper Arm Assemblies are backed by a standard **1-year** replacement parts warranty from the date of purchase, to the original purchaser only. The **1-year** replacement parts warranty covers internal boards, motors, pneumatic cylinders, and all other assembly components such as, but not limited to: cabinet, switches, valves, fittings etc. This does not cover normal wear items such as but not limited to: rubber pads, jaw protectors, air hoses, quick nut assemblies.

Titan shop equipment products and accessories are warrantied for replacement parts only to the original purchaser for a period of **90 days** from the date of purchase. This **90 day** replacement parts warranty covers products such as but not limited to: EZ -Mover Jacks, Mini Jacks, tie down products, wheel service accessories, Bulldog Moto Cradle Wheel Chock accessories, dollies, stands, Multi-purpose Jacks, etc.

For **all** warranty considerations, Titan Marketing, LLC will supply replacement parts only during the warranty period. The original purchaser is responsible for all shipping, handling, and any labor charges incurred. Hydraulic/Pneumatic cylinders may qualify for exchange under warranty if reported within the first 30 days from date of sale. After the first 30 days from date of sale, a seal kit and installation instructions will be sent for cylinder repairs. All defective parts must be returned to Titan for inspection and examination. Any parts that are found to be defective will be replaced or repaired to proper working order. Other items not listed above may be considered general wear parts and therefore, will not be covered under warranty. These warranties **do not** extend to **defects** caused by ordinary wear, abuse, misuse, shipping damage, improper installation, voltage or lack of required maintenance. Titan Marketing, LLC is **not** to be held responsible for any **failure** that results from an accident, purchaser/operator abuse, neglect, or failure to operate products in accordance with instructions provided in the owner's manual(s) supplied. Damage caused by rain, excessive humidity, corrosive environments or other contaminants are not covered under warranty. **THESE WARRANTIES DO NOT EXTEND TO ANY COSMETIC DEFECT NOT INTERFERING WITH EQUIPMENT FUNCTIONALITY OR ANY INCIDENTAL, INDIRECT, OR CONSEQUENTIAL LOSS, DAMAGE, OR EXPENSE THAT MAY RESULT FROM ANY DEFECT, FAILURE OR MALFUNCTION OF A TITAN MARKETING LLC PRODUCT OR THE BREACH OR DELAY IN PERFORMANCE OF THE WARRANTY.**

 **WARNING** 

The warnings, precautions and instructions in this manual cannot cover all possible conditions and situations that may occur. The operator must understand that the operator must supply common sense and examine caution factors when using this product to determine safety in all circumstances being used.



TITAN MARKETING, LLC

PO Box 7069 Greenwood, IN 46142
1.888.908-4826 FAX (317) 215.2770
www.titanlifts.com

**Patent No.: US 8,104,588 B2
CA 2,729,670**

6/12/18