



INSTALLATION, OPERATION & MAINTENANCE MANUAL

PREMIER-SERIES



MODELS:

**HD2P-13KCL
13,000 LB CAPACITY 2 POST LIFT**

! FOLLOW THIS MANUAL CAREFULLY TO ENSURE THE MACHINE WILL FUNCTION CORRECTLY AND PROVIDE MANY YEARS OF DEPENDABLE SERVICE. FAILURE TO FOLLOW THESE INSTRUCTIONS AND SAFETY WARNINGS MAY RESULT IN PERSONAL INJURY OR PROPERTY DAMAGE. KEEP THIS MANUAL IN A SAFE DRY PLACE FOR FUTURE REFERENCE.



**Products May Be
Upgraded Without Notice
Please Visit**

WWW.TITANLIFTS.COM

**For The Latest Version Of
This Manual**



TITAN MARKETING, LLC

PO Box 7069 Greenwood, IN 46142
1.888.908-4826 FAX (317) 215.2770
www.titanlifts.com

To Our Valued Customers:

Thank you for purchasing a Titan Lifts® product. We hope this high quality equipment provides you with years of dependable service.

It is unfortunate that rare situations may occur with the products you purchase from Titan Lifts®. We value your business as well as the trust you have and need to maintain your relationship with us. Titan Lifts® carries liability coverage that may protect our customers if a situation does occur. However, as in all accidents there must be proof of liability for a claim to be made. Our insurance company requires the following procedures be observed in order to consider a claim:

- A. The claimant must contact the Titan Lifts® distributor immediately with the facts of the situation.
- B. If any equipment is damaged, including vehicles or shop equipment, Titan Lifts® must be given the opportunity to send an impartial representative to the site for proper assessment of the situation.
- C. The Vehicle cannot be moved until either an impartial representative has reviewed the accident or clear and precise pictures are taken that reflect all the pertinent information for an impartial representative to be able to access the information from a distance. Titan Lifts® or its representatives must approve the pictures before anything can be moved.
- D. If any potential liability is determined on behalf of Titan Lifts®, two estimates must be submitted for damages to be reimbursed.

It is imperative that the claimant complies with these procedures, because without proper assessment of the situation a claim will be denied.

ARBITRATION NOTICE

The installation or use of this equipment shall constitute an acknowledgment that the user agrees to resolve any and all disputes or claims of any kind whatsoever, which relate in any way to the equipment, by way of binding arbitration, not litigation. No suit or legal action may be filed in any state or federal court. Any arbitration shall be governed by the Federal Arbitration Act, and administered by the American Mediation Association, Indianapolis Indiana. The maximum amount that an arbitrator may award and all damages shall not exceed the retail value of this equipment.

WARRANTY NOTICE

This equipment must be assembled and used in the manner according to the documentation provided to be covered by warranty.

Damaged or missing components must be reported within 72 hours of receipt to your freight carrier and to the distributor. Claims must be filed to cover cost.

If you have any questions or if we can be of any further assistance, please don't hesitate to contact a Titan Lifts® representative at 1-888-908-4826. Thank you for the opportunity to continue to serve your lift equipment needs.


TABLE OF CONTENTS

1-SAFETY	PAGE 1
1.1 INTRODUCTION	PAGE 1
1.2 SAFETY INSTRUCTIONS FOR COMMISSIONING	PAGE 1
1.3 SAFETY INSTRUCTIONS FOR OPERATION	PAGE 1
1.4 SAFETY INSTRUCTIONS FOR MAINTENANCE	PAGE 3
1.5 RISKS	PAGE 3
2-DESCRIPTION	PAGE 4
3-UNPACKING & SETUP	PAGE 5
3.1 DELIVERY AND CHECK OF PACKAGES	PAGE 5
3.2 LIFTING AND HANDLING	PAGE 5
3.3 PREPARATION	PAGE 5
4 SPECIFICATIONS	PAGE 6
5-FLOOR REQUIREMENTS	PAGE 6
5.1 SELECTING THE SITE AREA	PAGE 6
5.2 FLOOR REQUIREMENTS.....	PAGE 6
5.3 IMPORTANT CONCRETE AND ANCHORING INFORMATION.....	PAGE 7
5.4 ANCHORING TIP SHEET	PAGE 7
6-INSTALLATION INSTRUCTIONS	PAGE 8
7-OPERATION INSTRUCTIONS	PAGE 12
7.1 DEFECTS / MALFUNCTIONS.....	PAGE 12
7.2 CONTROLS.....	PAGE 12
7.2.1 UP CONTROL	PAGE 12
7.2.2 SAFETY LOCK CONTROL.....	PAGE 12
7.2.3 LOWERING CONTROL	PAGE 13
7.3 OPERATION.....	PAGE 13
8-MAINTENANCE	PAGE 15
8.1 MAINTENANCE SCHEDULE	PAGE 15
8.1.1 DAILY	PAGE 15
8.1.2 WEEKLY	PAGE 15
8.1.3 MONTHLY	PAGE 16
8.1.4 BI-MONTHLY	PAGE 16
8.1.5 YEARLY.....	PAGE 16
8.1.6 EVERY OTHER YEAR	PAGE 16
8.2 MAINTENANCE BY OPERATOR	PAGE 17
8.2.1 HYDRAULIC SYSTEM	PAGE 17
8.2.2 GREASING POINTS	PAGE 17
8.2.3 OPERATION AND WEAR CHECKS	PAGE 18
8.2.4 LIFT STABILITY	PAGE 18
8.3 CLEANING	PAGE 18
9-TROUBLESHOOTING	PAGE 19
10-OWNER/EMPLOYER RESPONSIBILITIES	PAGE 20
11-DIAGRAMS (FIG. 1-8)	PAGE 21

INSTRUCTIONS

1-SAFETY

1.1 INTRODUCTION

 **WARNING:** READ ENTIRE MANUAL AND COMPLY WITH ALL SAFETY AND SERVICE PRECAUTIONS. DEATH, PERSONAL INJURY AND / OR PROPERTY DAMAGE MAY OCCUR IF INSTRUCTIONS ARE NOT FOLLOWED CAREFULLY.

Personal injury and property damage incurred due to non-compliance with these safety instructions are not covered by the product liability regulations.

SYMBOLS

 **FAILURE TO COMPLY WITH INSTRUCTIONS COULD RESULT IN PERSONAL INJURY.**

 **FAILURE TO COMPLY WITH INSTRUCTIONS COULD RESULT IN PROPERTY DAMAGE.**

 **IMPORTANT INFORMATION**


1.2 SAFETY INSTRUCTIONS FOR COMMISSIONING


- The lift may be installed and commissioned by authorized service personnel only.
- The standard lift version may not be installed and commissioned in the vicinity of explosives or flammable liquids, outdoors or in moist rooms (e.g. car wash).


1.3 SAFETY INSTRUCTIONS FOR OPERATION


- Read this entire manual.
- Load should not exceed rated capacity for this lift – 13,000 lb (3,250 lb per lift arm)
- Only trained authorized personnel over the age of 18 years should operate the lift.
- Indoor use recommended.
- Always lift the vehicle using all four arms.
- Never use the lift to raise one end or one side of vehicle.

- Maintain a safe working environment. The work area should be clean, dry, clutter free, and sufficiently lit.
- Vehicle doors should be closed during the raising and lowering cycles.
- Closely watch the vehicle and lift during the raising and lowering cycles.
- Do not operate the lift in explosive atmospheres, such as in the presence of flammable liquids, gases, or dust. Power equipment can create sparks which may ignite flammables.
- Keep hands, tools, and other extremities from under carriage and moving parts.
- Never operate this lift with someone on it.
- Do not allow anyone on the lift or inside a raised vehicle.
- Keep children and bystanders away from work area. Do not let children operate or play on lift.
- Wear proper safety attire. Do not wear loose fitting clothing while operating lift. Long hair, jewelry and sleeves should be secured.
- Never leave the lift unattended while under a load.
- Do not operate this lift if under the influence of drugs, alcohol, or medication. Operator must be alert at all times when using heavy lift equipment.
- Comply with all applicable accident prevention regulations.
- Only use the vehicle manufacturer's recommended lifting points.
- After positioning the vehicle, apply the parking brake.
- Use caution when removing or installing heavy vehicle components which may result in center-of-gravity displacement.
- Use this lift only for the work it is intended. Do not use this product for an application for which it was not designed. Misuse can lead to personal injury and/or property damage.

 **WARNING:** Prior to completely raising the vehicle, raise the vehicle 6" off the ground and check the adapter pads for solid contact by performing the "BUMPER TEST". Walk around the back of the vehicle and push up and down on the bumper. The vehicle will rock, but should not at any time lose contact with the pads. If the vehicle is bouncing off the pads or feels at all unstable, you should lower it back to the ground and reposition the pads to balance the load. Repeat this process until the vehicle is completely stable.

 **WARNING:** Use this lift only in well ventilated areas. Carbon monoxide exhausted from running vehicle engines is a colorless, odorless fume that, if inhaled, can cause serious personal injury or death.

 **WARNING:** People with pacemakers should consult their physician(s) before using this product. Operation of electrical equipment in close proximity to a heart pacemaker could cause interference or failure of the pacemaker.

 **WARNING:** This product contains or produces a chemical known to the State of California to cause cancer and birth defects (or other reproductive harm). (California Health & Safety Code 25249.5 et seq.)

1.4 SAFETY INSTRUCTIONS FOR MAINTENANCE

- Maintenance or repair work should be done by authorized service personnel only.
- Work on the electrical equipment should be done by certified licensed electricians only.
- Ensure that ecologically harmful substances are disposed of in accordance with the appropriate regulations.
- To prevent the risk of damage, do not use high pressure / steam jet cleaners or caustic cleaning agents.
- Do not replace or override the safety devices.

1.5 RISKS



WARNING: Risks the personnel could encounter, due to an improper use of the lift, are described in this section.

CRUSHING RISK

During lowering of runways and vehicles, personnel must not be within the area covered by the lowering trajectory. The operator must be sure no one is in danger before operating the lift. Stay clear of the lift when lowering or raising vehicles. Keep hands and feet away from moving parts and especially points that could pinch. Keep your feet clear of the lift when raising and lowering vehicles.

BUMPING RISK

When the lift is stopped at relatively low working height, the risk of bumping against projecting parts increases. Always be aware of your surroundings and avoid bumping your head or body on the lift or the vehicle.

RISK OF THE VEHICLE FALLING FROM THE LIFT

Risk of the vehicle falling from the lift is increased: when the vehicle is improperly placed on the platforms, when the vehicle's weight or physical dimensions exceed the rated capacity of the lift, or when there is excessive movement of the vehicle while on the lift. If vehicle appears to begin falling, exit the area as quickly as possible to avoid injury. Always position vehicle with the center of gravity midway between the adapters. Adding or removing parts of a vehicle on the lift will alter the weight displacement on the lift. Therefore, use of auxiliary safety stands in the front and back of the vehicle is recommended. Never override the manufactured lift controls. Always use height adapter pads when possible to ensure proper contact. Only authorized personnel should be allowed in the lift area and the lift should only be operated by authorized and trained personnel. Adding or removing parts of a vehicle on the lift will alter the weight displacement on the lift.

2-DESCRIPTION

The following is a 2-Column hydraulic, leaf chain driven lift.

The model numbers covered in this manual are designated below:

HD2P-13KCL: 2-Column Overhead Beam Lift type, 13,000 lb Capacity, Symmetric Swing Arm set up.

This lift is a 13,000 lb capacity, 2-Post Lift. The safety latch system is very similar to an extension ladder. The safety latch is in contact with the rack as the lift ascends and drops into place as the lift rises. Safety latch engages in rack in 3" increments at about 16" from the ground. The latch must be manually disengaged for the lift to descend. The latch is released by raising the latch rack using the hydraulic drive system and pulling the release handle. If the user lets go of the manual release handle, the safety latch will re-engage on the next lock latch it encounters. Heavy bearings and heavy-duty leaf chains are used throughout the lift. The work is done with the heavy-duty chain connected to a 4" cylinder, driven by a hydraulic pump capable of providing 3,000 psi.

Please read the Safety Procedures and operation instructions in this manual before operating the lift. Proper installation is very important. To minimize the chance of making an error in installation, please read this manual thoroughly before beginning installation. Check with building owner and/or architect's building plans when applicable. The lift should be located on a level floor with 6" 3000 psi concrete sufficiently cured, for at least 30 days.

This is a vehicle lift installation / operation manual and no attempt is made or implied herein to instruct the user in lifting methods particular to an individual application. Rather, the contents of this manual are intended as a basis for operation and maintenance of the unit as it stands alone or as it is intended and anticipated to be used in conjunction with other equipment.

Proper application of the equipment described herein is limited to the parameters detailed in the specifications and the uses set forth in the descriptive passages. Any other proposed application of this equipment should be documented and submitted in writing to the factory for examination. The user assumes full responsibility for any equipment damage, personal injury, or alteration of the equipment described in this manual or any subsequent damages.

3-UNPACKING & SETUP

Only skilled personnel who are familiar with the lift and this manual shall be allowed to carry out, lifting, handling, transport and unpacking operations.

3.1 DELIVERY AND CHECK OF PACKAGES

When the lift is delivered, carefully unpack the lift making sure all the parts have been included. Check for possible damages due to transport and storage; verify that what is specified in the confirmation of order is included. In case of damage in transit, the customer must immediately inform the carrier of the problem.

Remove the lift and all parts from delivery pallet and place on a clean, solid, flat surface. Packages must be opened paying attention not to cause damage to people (keep a safe distance when opening straps) and parts of the lift (be careful the objects do not drop from the package when opening.)

3.2 LIFTING AND HANDLING

When loading/unloading or transporting the equipment to the site, be sure to use suitable loading (e.g. cranes, trucks) and hoisting means. Be sure to hoist and transport the components securely so that they cannot drop, taking into consideration the package's size, weight, center of gravity, and its fragile parts.



LIFT AND HANDLE ONLY ONE PACKAGE AT A TIME

3.3 PREPARATION

Professional installation is required. The following tools and equipment are needed:

1. AW-32 hydraulic oil (3 Gallons)
2. Chalk line and Tape Measure
3. Rotary Hammer Drill with 3/4" Drill Bit. Core Drill Rebar Cutter recommended
4. 4' Level
5. Sockets and Open Wrench set, metric & standard (1-1/8" for 3/4" Anchors)
6. Pliers
7. Torque Wrench
8. Metric allen wrench set

4 SPECIFICATIONS

Model	Description	Capacity	Lifting Time	Overall Height	Overall Width	Between Posts
HD2P-13KCL	Clear Floor/ Asymmetric	13,000 lb	40-60 sec.	151"	142.75"	117.50"
				Max Lifting Height	Min Pad Height	Drive-Thru
				72.75"	4"	107"

*Due to minor variances in the manufacturing process, dimensions in this manual may vary slightly from the finished product.


5-FLOOR REQUIREMENTS

5.1 SELECTING THE SITE AREA

1. Make sure that adequate space and height is available.
2. Check for ceiling clearance (lifting height plus vehicle height).
3. Check for clearance in front and rear of vehicle on lift.
4. Check for overhead garage door clearance.

5.2 FLOOR REQUIREMENTS


Do not use the lift on any asphalt surface. Make sure the lift is used on a dry, oil/grease free, flat level CONCRETE surface capable of supporting the weight of the lift, the vehicle being lifted, and any additional tools and equipment. The concrete floor surface should have a minimum thickness of 6". The concrete must have a minimum strength of 3,000 PSI, and should be aged at least 30 days prior to use. Do not use the lift on concrete expansion seams or on cracked, defective concrete.

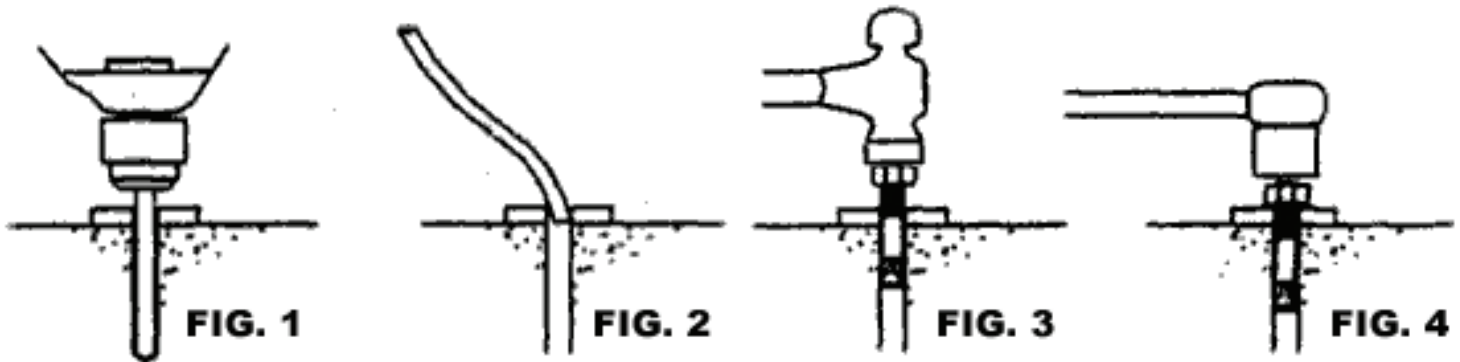
 **WARNING: SPECIFICATIONS OF CONCRETE MUST BE ADHERED TO. FAILURE TO DO SO COULD CAUSE LIFT FAILURE RESULTING IN PERSONAL INJURY OR DEATH. THE FLOOR SHOULD BE A REINFORCED CONCRETE SLAB NOT LESS THAN 6" THICK WITH THE COMPRESSIVE STRENGTH OF THE CONCRETE NO LESS THAN 3,000 PSI.**

 **DANGER: FOR CORRECT INSTALLATION OF THE LIFT, THE FLOOR MUST BE FLAT AND LEVEL. CHECK WITH STRAIGHT EDGE AND LEVEL. IF A FLOOR IS OF QUESTIONABLE SLOPE, CONSIDER A SURVEY OF THE SITE AND/OR THE POSSIBILITY OF POURING A NEW LEVEL CONCRETE SLAB.**

 **IMPORTANT: NEW CONCRETE MUST BE ADEQUATELY CURED AT LEAST 30 DAYS MINIMUM. NO LIABILITY FOR ANY DAMAGES WILL BE ACCEPTED SHOULD YOU INSTALL THE LIFT ON AN UNSUITABLE FLOOR.**

5.3 IMPORTANT CONCRETE AND ANCHORING INFORMATION

1. Concrete shall have compression strength of at least 3,000 PSI and a minimum thickness of 4". Measure the length of the supplied anchor bolts in order to achieve a minimum anchor embedment of 3-1/4". If the top of the anchor exceeds 2" above the floor grade, you DO NOT have enough embedment.
2. Before drilling 3/4" dia. Holes in concrete floor using holes in column base plate as guide, make sure the hole distance from the edge of the concrete or any cracks is no less than 8".
3.  **DANGER:** DO NOT Install on asphalt or other similar unstable surface. Columns are supported only by anchoring in floor.
4. Shim each column base until each column is plumb. If one column has to be elevated to match the plane of the other column, full size base shim plates should be used (Reference Shim Kit). Torque anchors to **85 ft-lbs**. Shim thickness MUST NOT exceed 1/2".
5. If anchors do not tighten to **85 ft-lbs** installation torque, replace concrete under each column base with a 4' x 4' x 36" thick 3,000 PSI minimum concrete pad pinned to the existing concrete and flush with the top of existing floor. Let concrete cure at least 30 days before installing lifts and anchors.



5.4 ANCHORING TIP SHEET

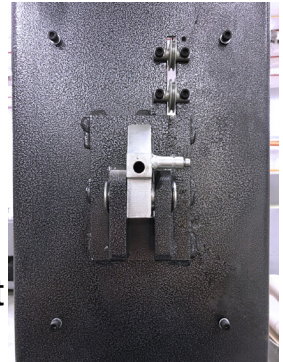
1. Use a concrete hammer drill with a carbide tip, solid drill bit the same diameter as the anchor, 3/4". (.775 to .787 inches diameter). Do not use excessively worn bits or bits which have been incorrectly sharpened.
2. Keep the drill perpendicular to the concrete while drilling.
3. Let the drill do the work. Do not apply excessive pressure. Lift the drill up and down occasionally to remove residue to reduce binding.
4. Drill the hole for anchor bolt completely through the concrete. If an error is made during the installation of these anchors, this will allow for the anchor bolt to be driven down into the ground, so that a new anchor may be installed in place (fig.1).
5. Be sure to clean all dust from hole (fig. 2).
6. Place a flat washer and hex nut over threaded end of anchor, leaving approximately 1/4 inch of thread exposed above the nut (fig. 3). Carefully tap anchor into the concrete until nut and flat washer are against base plate. Be sure to only tap the top of the anchor and not the nut. This could cause damage to the threads of the anchor.
7. Tighten the nut (fig. 4) to 85 ft-lbs of torque (typically this should only be two to three full turns).

 **DO NOT USE AN IMPACT WRENCH TO TIGHTEN ANCHORS!**

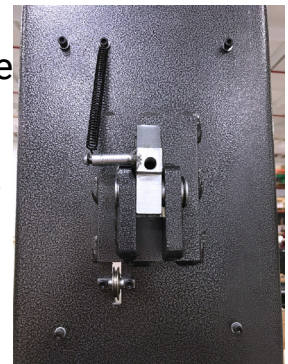
6-INSTALLATION INSTRUCTIONS

PLEASE NOTE THAT ALL DIMENSIONS GIVEN ARE FOR REFERENCE. FINAL DIMENSIONS MAY VARY SLIGHTLY. LIFT COLUMNS MUST BE PLUMB AND SQUARE REGARDLESS OF FINAL DIMENSIONS.

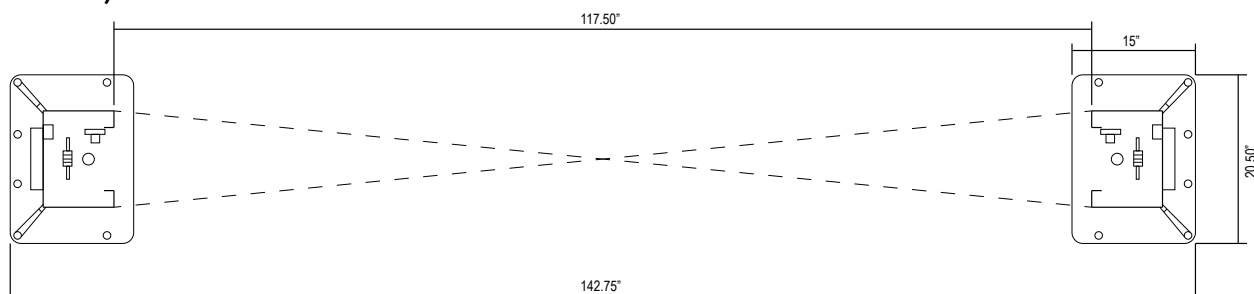
- 1) After unloading the lift, place it near the intended installation location.
- 2) Remove the shipping bands and protective wrapping from the lift. Support the top column as you remove the packing frames from each end of the lift. Be sure to set the columns down onto a block of wood to avoid any damage.
- 3) Remove all loose components from the lift columns and set aside. This is a good time to install the lock release cable pulley brackets to the top of the columns and check the contents of the parts box to ensure that you have all the components needed to complete this install.
- 4) Once you determine where you want to install the lift, check to make sure there are no obstructions in the ceiling that may interfere when standing the columns up. If clear, go ahead and stand the columns up at this time.
- 5) Position the columns facing each other 142.75" from the outside of the base plates; then install the locking system components into each column (refer to pictures). Be sure to secure the ends of the lock spindle with the provided C-Clips. Once installed, raise each carriage to the first safety lock. NOTE: The power unit column is referred to as the main side column and the non-power unit column is referred to as the offside column.
- 6) Once one of the lift columns is positioned, using a 3/4" concrete drill bit, drill the anchor bolt holes through the baseplate of the column, installing anchors as you go (see page 8). Thread the nut to the top of anchor and carefully tap them into the holes drilled into the concrete.
- 7) Using a level, check column for side-to-side plumb and front-to-back plumb. It is very important that the columns are perfectly plumb in both directions. Failure to do this could result in premature wear on the lifting components and/or pad movement while lifting a vehicle. Use the provided shims to shim the lift column as needed by placing them around the anchor. Once the column is perfectly plumb, torque 3/4" anchor bolts to 85 ft-lbs. using a torque wrench **NOTE: DO NOT USE IMPACT WRENCH.**
- 8) You are now ready to install the overhead crossbar. This is also a good time to mount the brackets for the safety shut-off bar, install the safety shut-off bar itself, and the shut-off switch, to the underside of the crossbar.



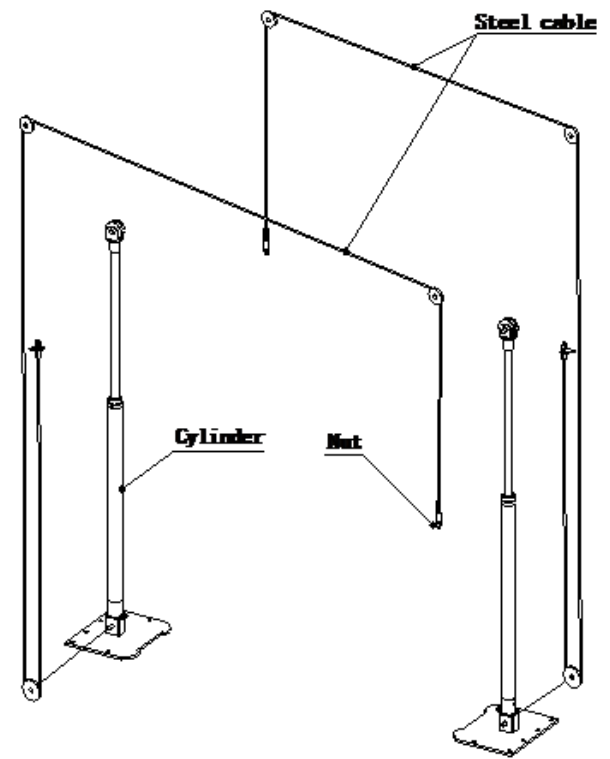
MAIN SIDE



OFFSIDE

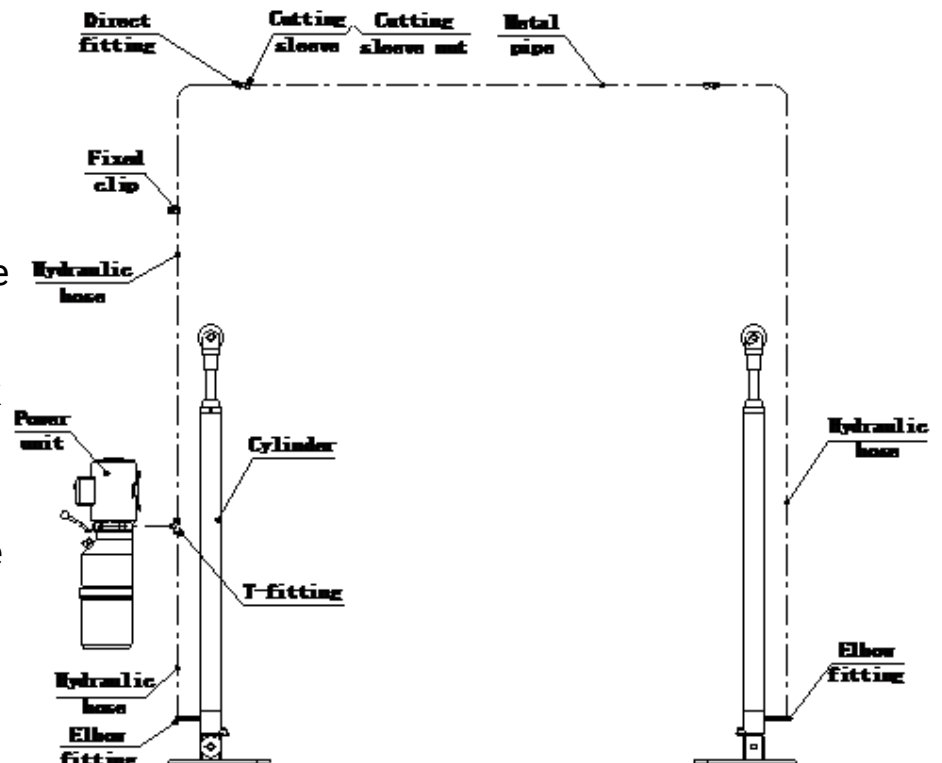


9) Measure the distance from the back of the crossbar mounting plate to the back of opposite mounting plate and set the second column this distance away from the first column that has already been anchored. (As a reference - the distance between the face of the columns should be +/- 117.50" at the top and at the bottom of the lift) Using a tape measure, measure diagonally from the face of one column to the opposite face of the other, to ensure that the columns are square (see below). After confirming the dimensions, loosely install the overhead crossbar assembly using the supplied (8) bolts, washers, and nuts. Check front to back and side to side plumb before drilling holes for the anchor bolts. Again, it is extremely important that these columns are perfectly plumb in both directions. If you are confident in your dimensions, drill the anchor bolt holes in the column, installing anchors as you go. Check front to back and side to side plumb before torquing anchors to 85 ft-lbs. Use shims to plumb columns as needed.




10) After both columns are properly torqued, tighten the (8) crossbar bolts.

11) In order to operate both lock latches from the power unit column, you will need to install the Safety Release Cable. Start by loosening the bolt in the side of the lock mechanism on the offside column and insert the cable through the hole and leave about 6-10" of excess cable coming out. Snug the pinch bolt to secure the cable in place. Route the other end of the cable under the safety release pulley in the column, then up and around the safety release pulley at the top of the column. Continue to route the cable over to the safety release pulley at the top of the opposite column, then down the inside of the column, behind the carriage, until it can be routed in between the (2) safety release pulley's on the Power Unit side of the lift. Loosen the bolt in the side of the lock mechanism on the power unit side column and feed the rest of the cable through the lock and pull all slack from the cable prior to snugging the pinch bolt back up. You can also install the safety lock release handle to the Main Side column but set the ball handle aside for later in the installation.




- 12) You are now ready to install the equalizing cables: Route cables through carriages and around pulleys as shown in diagram. Secure cables to the carriage using one of the two supplied cable nuts on each end of the cable. (The second nut will be used as a jam nut after final adjustments are made to cable.) (Tip: When installing the cables, loosen the nut on the cable that is pointing upward inside each carriage until the end of the stud is flush with the just one nut. Then to take up slack in the cables, pull down on the cable that is pointing downward inside each carriage and hand tightening cable nut. This will take all the slack out of the cable, leaving your adjustments to be made from the easier to reach cable nut. Tighten the nut on the cable that's pointing up-ward until $\frac{1}{2}$ " to $\frac{3}{4}$ " is sticking out past the single nut.
- 13) Properly route the hydraulic hoses from each column through the guides on the overhead crossbar. Connect both hoses using the supplied male #6 JIC union fitting. **NOTE:** Be sure that the hoses are spaced away from moving parts.
- 14) Install the power unit to the main side column using the supplied bolts, washers, and nuts. Install the short hose and make the connection between the hydraulic hose fitting in the column and the hydraulic fitting supplied with the power unit. **NOTE:** The hydraulic fitting that is supplied with the power-unit may need to be moved to the port on the opposite side of the valve body on certain lift models. It is **REQUIRED** that a licensed electrician make the electrical hookup to the power unit. **NOTE:** The electrical test lead that is connected to the motor is strictly for **PRELIMINARY LIFT TESTING AND ADJUSTING ONLY**. Note: The power unit must be wired to a 220V single phase, dedicated 30A circuit. Route safety shut-off switch wiring down the channel on the inside of the main side column, alongside the hydraulic hose. Insert the end of the wire through the hole in the back of the column and into the junction box of the power unit where the final connection will be made. You will need to cut one of the (2) wires attached to the push button, then splice the end each wire coming from the overhead switch into it. This will create a normally closed circuit so when the safety shut-off bar trips the switch, the circuit is now open.
- 15) Install the lifting arms into the lifting carriages. The easiest way to install these is to hold up on the arm restraint while sliding the arm into the carriage, then putting the arm pins through the carriage and arm before lowering the arm restraint pins back down into place. Reinstall the spring, washer, and cotter pin after the pin is in place. (Tip: Have a second set of hands to help with this.)
- 16) Prior to using the lift, it's important that all (4) inside corners of each column get greased from top to bottom. Failure to do this will result in premature wear of the nylon slide blocks and could even cause the lift to bind while in use.
- 17) Fill power unit reservoir with (12) quarts (3 gal) of premium quality AW-32 hydraulic oil only. Be sure to periodically check dipstick to prevent spillage. **NOTE:** This is a good time to check if all fittings on the lift are tightened properly.

- 18) Press and hold power button on motor to operate lift. Raise carriages all the way to the top of the lift, then lower carriages down to the ground to bleed air from the hydraulic system prior to adjusting cable tension. **NOTE:** Cables must be adjusted so that the safety locks engage simultaneously prior to lifting any weight. In order to adjust the cables properly, you will need to raise the lift to determine which side is engaging into the lock latches first. Whichever side is higher, tighten the nut on the cable end pointing upward in the carriage to raise the other side that is trailing behind. When the lift is properly adjusted, the locks will engage together and you will hear only one click.
- 19) Once all adjustments are finished, you can install the lock covers on each side of the column using the (8) supplied cap head bolts and washers. Also, don't forget to install the Truck Adapter mounting brackets on each column as well as installing the black "toe guards" onto each arm, while you are finishing up.

 **WARNING:** The wiring must comply with local code. Have a certified licensed electrician make the electrical hook-up to the power unit. Protect each circuit with time delay fuse or circuit breaker 208v.230v single Phase. 60Hz 30 Amp.

 **WARNING: DO NOT PERFORM ANY MAINTENANCE OR INSTALLATION OF ANY COMPONENTS WITHOUT FIRST ENSURING THAT ELECTRICAL POWER HAS BEEN DISCONNECTED AT THE SOURCE OR PANEL AND CANNOT BE RE-ENERGIZED UNTIL ALL MAINTENANCE AND/OR INSTALLATION PROCEDURES ARE COMPLETED.**

 **DANGER: DO NOT RUN POWER UNIT WITHOUT FLUID. DAMAGE TO PUMP CAN OCCUR. THE POWER UNIT MUST BE KEPT DRY. DAMAGE TO POWER UNIT CAUSED BY WATER OR OTHER LIQUIDS SUCH AS DETERGENTS, ACID ETC., IS NOT COVERED UNDER WARRANTY.**

7-OPERATION INSTRUCTIONS

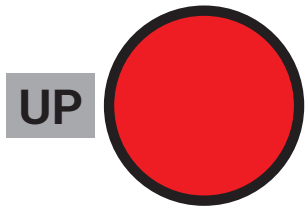
! WARNING: LIFT OPERATION BY TRAINED AUTHORIZED PERSONNEL OVER 18 YEARS ONLY. APPLY THE PARKING BRAKE AFTER POSITIONING THE VEHICLE ON THE LIFT. DO NOT ALLOW ANYONE TO STAY IN LIFT AREA DURING RAISING AND LOWERING CYCLES. CLOSELY WATCH THE VEHICLE AND THE LIFT DURING RAISING AND LOWERING CYCLES. OBSERVE THE RATED LOAD CAPACITY AND LOAD DISTRIBUTION. DO NOT ALLOW ANYONE TO CLIMB ON LIFT OR STAY INSIDE VEHICLE. AFTER RAISING THE VEHICLE FRAME 6”, STOP AND CHECK ADAPTERS FOR SECURE CONTACT. PERFORM BUMPER TEST(PG.2). MAKE SURE THE VEHICLE DOORS ARE CLOSED DURING RAISING AND LOWERING CYCLES.

7.1 DEFECTS / MALFUNCTIONS

! WARNING: IN CASE OF DEFECTS OR MALFUNCTIONS SUCH AS JERKY LIFT MOVEMENT OR DEFORMATION OF THE SUPERSTRUCTURE, SUPPORT OR LOWER THE LIFT IMMEDIATELY. CONTACT QUALIFIED SERVICE PERSONNEL.

7.2 CONTROLS

7.2.1 UP CONTROL



Once the up button is actuated, the lift moves up until the button is released or the limit stop is reached.

7.2.2 SAFETY LOCK CONTROL

The safety latch mechanism will “Trip Over” as the lift raises and drop into each safety latch stop. To lock the lift you must press the lowering handle on the power unit (Fig. 1) to relieve the hydraulic pressure and let the safety locks engage into a level locked position.

! WARNING: PAY CLOSE ATTENTION WHEN SETTING THE LOCKS. THE LOCKS MUST BE A LEVEL MATCH SET IN ORDER TO AVOID A VEHICLE TILT.

! WARNING: ALWAYS LOCK THE LIFT BEFORE GOING UNDER THE VEHICLE. NEVER ALLOW ANYONE TO GO UNDER THE LIFT WHEN RAISING OR LOWERING.



NOTE: IT IS NORMAL FOR AN EMPTY LIFT TO LOWER SLOWLY - IT MAY BE NECESSARY TO ADD WEIGHT.

7.2.3 LOWERING CONTROL

Press the up button enough to allow the safety locks to be disengaged. Pull the latch release handle (Fig. 1) to release the safety locks.



Fig. 1



WARNING: ALWAYS ENSURE BOTH SIDES RELEASE.

Press the lowering handle (Pg. 17 Fig. 2) until the lift is completely lowered.

7.3 OPERATION




WARNING: FAILURE TO OPERATE THE LIFT ACCORDING TO THIS MANUAL MAY CAUSE DAMAGE TO THE LIFT, PROPERTY DAMAGE AND/OR PERSONAL INJURY.

1. Before driving a vehicle onto the lift make sure the lift is fully lowered. Before driving a vehicle onto the lift, position the lift arms outward. Do not hit or run over the lifting arms, as this could damage the vehicle and/or lift. Make sure the lift is fully lowered before moving the vehicle over the lift. **NOTE:** It is recommended to swing both arms outward pointing toward the front of the lift prior to loading a vehicle into the HD2P-13KCL.
2. Drive the vehicle over the lift while keeping the vehicle parallel with the lift and aligning the center of gravity of the vehicle with the center of the lift. **NOTE:** The “Center of Gravity” (COG) of the vehicle is the balance point at which there is equal weight in front of and behind the COG, and equal weight on both sides of the COG. The COG is not necessarily the dimensional center of the vehicle, but is often slightly toward the engine from the dimensional center of the vehicle.
3. Turn off the vehicle’s engine and engage the parking brake of the vehicle.
4. Read the vehicles owner’s manual to identify the recommended vehicle lifting points.
5. Prepare the work area according to this manual. Move the lifting arms inward, and position the rubber pads to contact with the vehicle manufacturer’s recommended lifting points.




IMPORTANT: PLACE THE FOUR RUBBER PADS UNDER EDGE OF VEHICLE AT THE FOUR JACK POINTS.

6. Once the lifting arms have been positioned under the vehicle lifting points, operate the power switch to make contact and lift the vehicle slightly. Test to make sure the vehicle is well balanced and the contact between the rubber pads and vehicle lifting points are secure by performing the “BUMPER TEST.” (pg. 2) Then proceed to lift the vehicle to the desired height.

7.  **WARNING:** Do not lift the vehicle if you cannot establish secure and level lifting points. Do not use sub-standard shims or other devices in place of approved and recommended rubber pad adapters. Never use the lift without the rubber pads in place on each plate and in contact with the lifting points of a vehicle.
8. Press up button and raise vehicle to desired height. Do not go under vehicle until load rests on level safety locks.
9. While lifting the vehicle a clicking sound should be noticeable which indicates the safety mechanism is operating. If this sound is not heard, immediately cease using the lift and call an authorized service agent.
10. When lift reaches maximum height, a limit switch will come into operation and stop the lift. When lift has stopped, press and hold the lowering handle (Fig. 1) until load rests on level safety locks.
11. Once the repair work to the vehicle is complete, make sure to remove all tools, safety jack stands, and materials from under the vehicle and lift. Also, make sure the work area is clear and it is safe to lower the vehicle.
12. Lower vehicle by pressing the Up button to disengage the safety locks. Pull the latch release to release (Fig. 2) the safety locks then press the lowering handle (Fig. 1) until the lift is completely lowered.
13. Move the lifting arms outward, out of the path of the vehicle. Clear all bystanders, and any objects from work area and direction of vehicle.
14. Disengage the vehicle parking brake. Start the vehicle's engine, and drive the vehicle off the lift slowly and carefully.

 **WARNING: THE OPERATOR MUST BE TRAINED AND AUTHORIZED TO OPERATE THE LIFT.**

 **WARNING: DO NOT GO UNDER VEHICLE UNDER ANY CIRCUMSTANCES WHILE VEHICLE IS BEING RAISED OR LOWERED.**

 **WARNING: LOAD MUST BE EVENLY DISTRIBUTED BETWEEN BOTH LIFTING PLATFORMS. IF LOAD IS UNBALANCED, REPOSITION VEHICLE. DO NOT LOWER ON TO LOCKS AT DIFFERENT HEIGHTS.**

8-MAINTENANCE

 **WARNING: DISCONNECT THE POWER BEFORE SERVICING THE LIFT.**

 **IMPORTANT: THE MAINTENANCE INTERVALS INDICATED BELOW APPLY TO AVERAGE WORKSHOP USE. THE LIFT SHOULD BE INSPECTED MORE FREQUENTLY FOR SEVERE USE APPLICATIONS.**

8.1 MAINTENANCE SCHEDULE

It is important to keep the lift clean, dry, lubricated and well maintained by establishing a periodic preventive maintenance program to ensure trouble-free operation and long service life.

8.1.1 DAILY

1. Check safety locking mechanism is functioning correctly.
2. Check safety lock audibly and visually while in operation.
3. Check safety latches for free movement and full engagement with rack.
4. Inspect the condition of rubber lifting pads and replace as necessary if worn or torn.
5. Check hydraulic connections, and hoses for leakage.
6. Check chain connections - Bends, cracks - and looseness.
7. Check for frayed cables in both raised and lowered positions.
8. Check snap rings at all rollers and sheaves.
9. Check bolts, nuts, and screws and tighten.
10. Check wiring & switches for damage.
11. Keep base plate free of dirt, grease or any other corrosive substances.
12. Check floor for stress cracks near anchor bolts.
13. Check swing arm restraints.

8.1.2 WEEKLY

1. Check anchor bolts torque to 85 ft-lbs for the 3/4" anchor bolts.
NOTE: DO NOT USE IMPACT WRENCH.
2. Check floor for stress cracks near anchor bolts.
3. Check hydraulic oil level.
4. Check and tighten bolts and nuts, and screws.
5. Check cylinder pulley assembly for free movement or excessive wear on cylinder yoke or pulley pin.
6. Check cable pulley for free movement and excessive wear.

8.1.3 MONTHLY

1. Check safety mechanism operation.
2. Check condition of shafts, shaft locks and bushings.
3. Check overall cleanliness.

8.1.4 BI-MONTHLY

1. Check condition of extensions and lubricate.
2. Check oil leaks from cylinders.
3. Check oil leaks at pipe joints.

8.1.5 YEARLY

Service and safety inspection on the lift must be performed by a competent person. This inspection must be recorded. If the 12 month service and safety inspection is not performed, the warranty is null and void.

1. Lubricate chain.
2. Grease the inside corners of the columns.
3. Change the hydraulic fluid. A good maintenance program makes it mandatory to keep hydraulic fluid clean. Operating temperature, type of service, contamination levels, filtration, and chemical composition of fluid should be considered. If operating in harsh or dusty conditions, a shorter interval may be required.

THE FOLLOWING ITEMS SHOULD ONLY BE PERFORMED BY A TRAINED MAINTENANCE EXPERT.

- Replace hydraulic hoses.
- Replace chains and rollers.
- Replace cables and sheaves.
- Replace or rebuild air and hydraulic cylinders as required.
- Replace or rebuild pumps / motors as required.
- Check hydraulic and air cylinder rod and rod end (threads) for deformation or damage.
- Check cylinder mount for looseness and damage.

Relocating or changing components may cause problems. Each component in the system must be compatible; an undersized or restricted line will cause a drop in pressure. All valve, pump, and hose connections should be sealed and/or capped until just prior to use. Air hoses can be used to clean fittings and other components. However, the air supply must be filtered and dry to prevent contamination. Most important - **CLEANLINESS** - contamination is the most frequent cause of malfunction or failure of hydraulic equipment.

8.1.6 EVERY OTHER YEAR

Hydraulic oil should be replaced.



IMPORTANT: AFTER CLEANING WORKSHOP FLOOR OR LIFT, TO MAINTAIN HOIST EFFICIENCY WE ADVISE TO LUBRICATE LIFTING ARM LOCKING MECHANISM, AND SAFETY LOCKING MECHANISM. CHECK SAFETY LOCKING MECHANISM IS FUNCTIONING CORRECTLY.

8.2 MAINTENANCE BY OPERATOR

All moving parts have been lubricated at the factory and should be re-lubricated before the first use and at least once every six months to prevent damage.

8.2.1 HYDRAULIC SYSTEM

1. Check the fluid level with the lift fully lowered and add fluid as required. Use premium quality AW-32 hydraulic oil.
2. Visually check all hydraulic hoses and connections for tightness before each use to ensure proper working condition.
3. Lightly oil the cylinder rods at least once every six months or when they become dry.



FIG. 2

8.2.2 GREASING POINTS

SLIDE TRACKS:

- The carriage assembly slide tracks should be greased every six months (or more frequently in case of noise generation).
- Slightly grease the slide tracks over their whole length using a brush.

ARM PINS:

- Grease the arm pins to prevent excessive wear

8.2.3 OPERATION AND WEAR CHECKS

1. Examine lift for structural cracks, bends, or other signs of damage prior to each use. Do not use this product if worn or damaged.
2. Check that the safety locking mechanism is functioning correctly.
3. Check that the safety lock is audibly and visibly operating correctly.
4. Check the floor for stress cracks near the anchor bolts.

8.2.4 LIFT STABILITY

1. Every six months check the nuts of all bolts for correct installation torque.
2. Retighten them as required. **NOTE: DO NOT USE AN IMPACT WRENCH.**

8.3 CLEANING



DANGER: DO NOT USE HIGH PRESSURE / STEAM JET CLEANERS OR CAUSTIC CLEANING AGENTS.

1. Periodically wash off aggressive substances and treat the lift with oil or wax spray.
2. Repair the damage to the paintwork immediately to prevent corrosion.

9-TROUBLESHOOTING

1. **Motor does not run:**
 - A. Breaker or fuse blown.
 - B. Motor thermal overload tripped. Wait for overload to cool.
 - C. Faulty wiring connections.....Call electrician for service.
 - D. Defective up button.....Call electrician for service.
2. **Motor runs but will not raise:**
 - A. A piece of trash is under the check valve. Push handle down and push the up button at the same time. Hold for 10-15 seconds. This should flush the system.
 - B. Check the clearance between the plunger valve of the lowering handle. There should be 1/16".
 - C. Remove the check valve cover and clean ball and seat.
 - D. Oil level too low. Oil level should be just under the vent cap port when the lift is in the lowered position.
3. **Oil blows out breather of power unit:**
 - A. Oil reservoir overfilled.
 - B. Lift lowered too quickly while under a heavy load.
4. **Motor hums and will not run:**
 - A. Impeller fan cover is dented. Take off and straighten.
 - B. Faulty wiring.....Call electrician.
 - C. Bad capacitor.....Call electrician.
 - D. Low voltage.....Call electrician.
 - E. Lift overloaded.....Reduce weight.
5. **Lift jerks going up and down: Air in hydraulic system. Raise lift all the way to top and return to floor; Repeat 4-6 times. Do not let this overheat power unit.**
6. **Oil leaks:**
 - A. Check the power unit: If the power unit leaks hydraulic oil around the tank-mounting flange, check the oil level in the tank. The level should be two inches below the flange of the tank. Check with a screwdriver.
 - B. Check the rod end of the cylinder: If the rod seal of the cylinder is out, rebuild or replace the cylinder.
 - C. Breather end of the cylinder: If the piston seal of the cylinder is out, rebuild or replace the cylinder.
7. **Lift makes excessive noise:**
 - A. Column of the lift is dry and requires grease.
 - B. Cylinder pulley assembly or cable pulley assembly is not moving freely.
 - C. May have excessive wear on pins or cylinder yoke.

10-OWNER/EMPLOYER RESPONSIBILITIES

The owner/employer:

Shall establish procedures to periodically maintain, inspect and care for the lift in accordance with the manufactures recommended procedures to ensure it's continued safe operations.

Shall provide necessary lockout / tag outs of energy sources per ANSI Z244.1 - 1982 before beginning any lift repairs. Shall not modify the lift in any manner without prior written consent of the manufacturer.

Shall display this manual or copy supplied with the lift in a conspicuous, dry location in the lift area convenient to the operator.

Shall insure that lift operators are instructed in the safe proper use and operation of the lift using the manufacturer's instructions outlined within this manual supplied with the lift.

11-DIAGRAMS (FIG. 1-8)

FIG. 1 - HD2P-13KCL

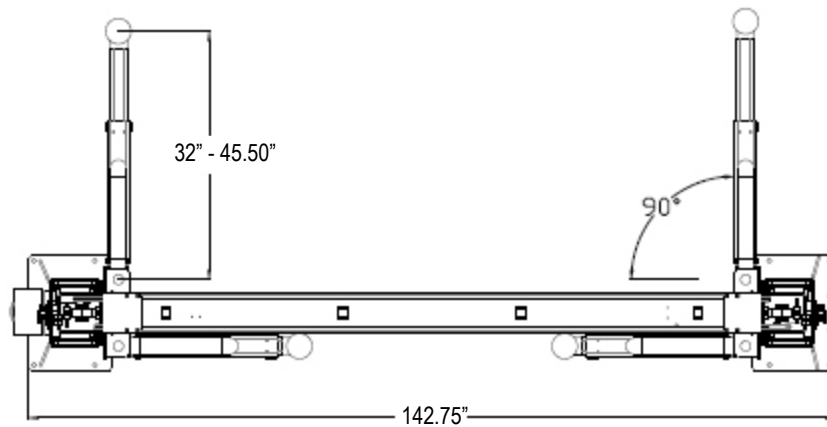
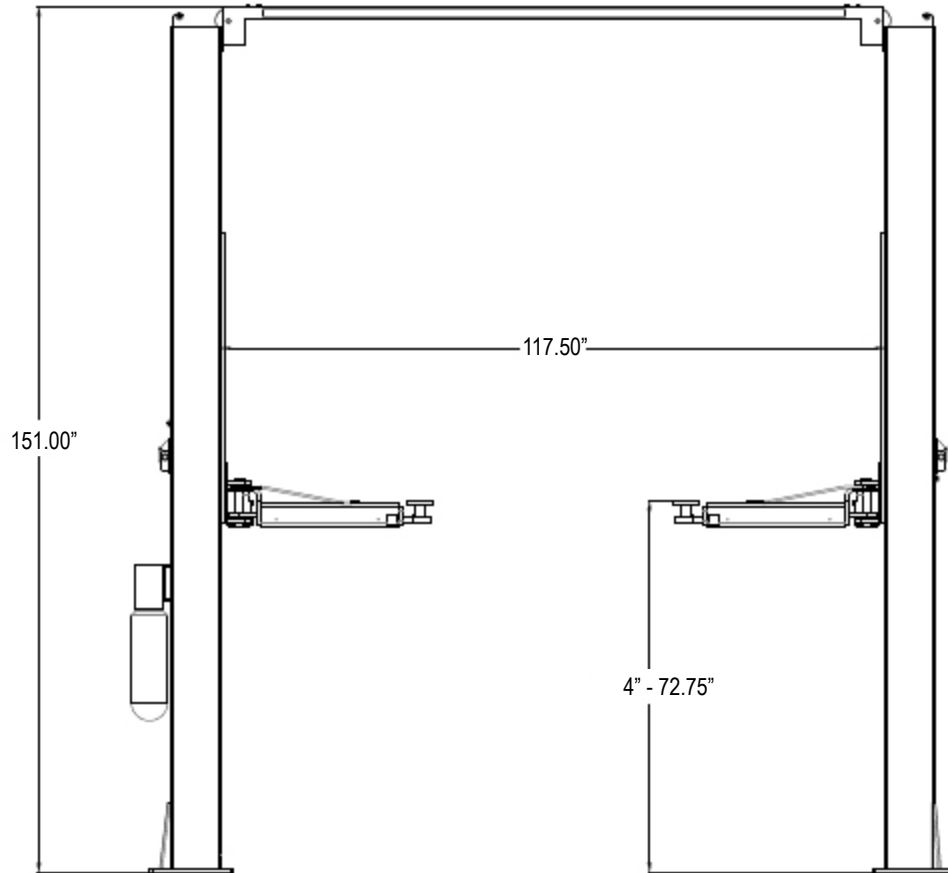


FIG. 2 - HD2P-13KCL

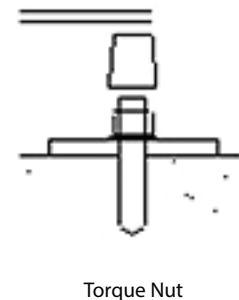
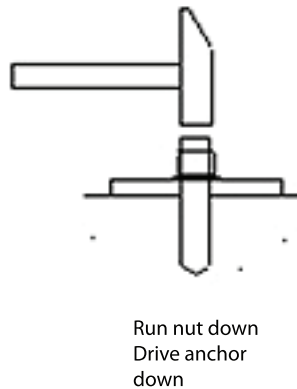
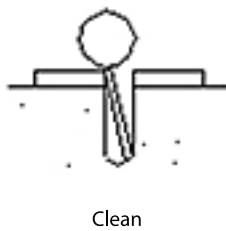
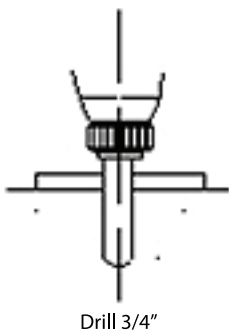
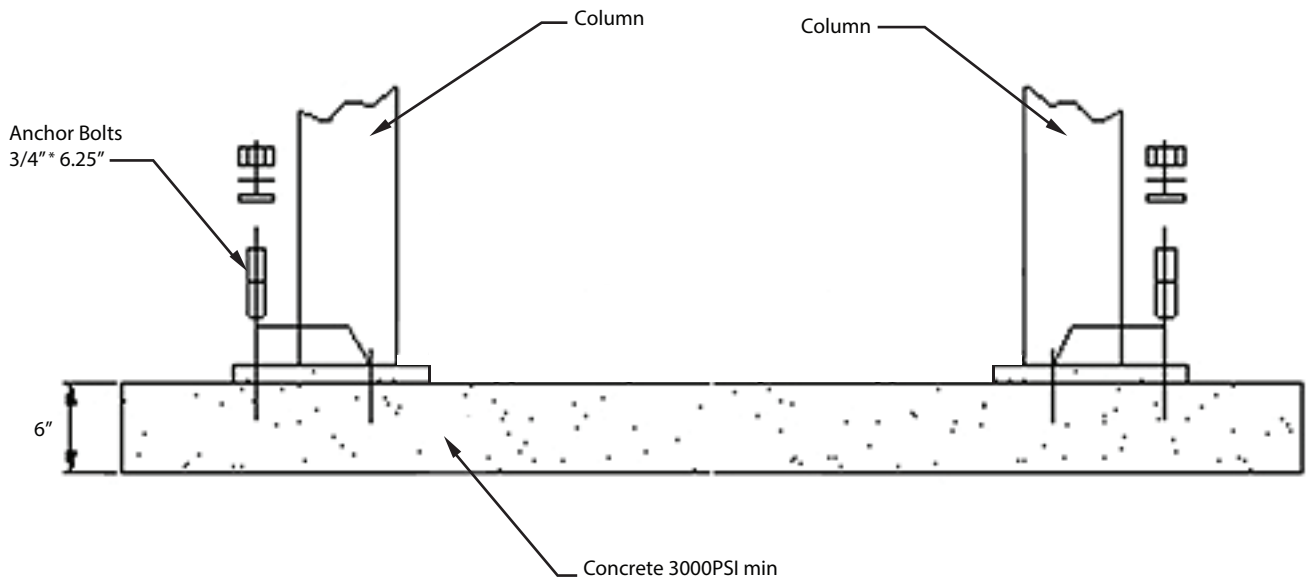
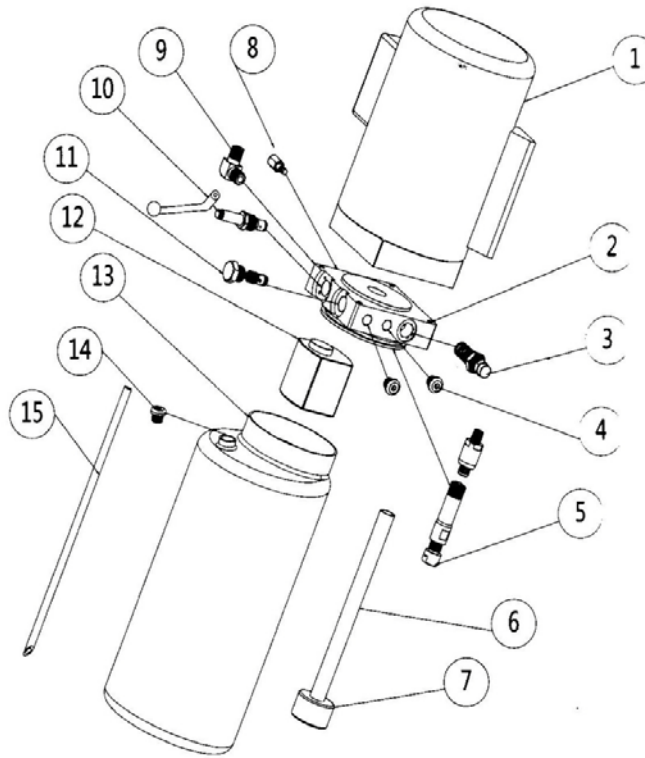


FIG. 3 - POWER UNIT

Power Unit for 2-Post lift (Manual Release)



Parts List (Power Unit)

Item	Desc.	Qty
1	Motor	1
2	Valve Body	1
3	Pressure Relief Valve	1
4	Plug	2
5	Cushion Valve	1
6	Oil Pickup Tube	1
7	Oil Filter	1
8	Throttle Valve	1
9	Straight Fitting	1
10	Release Valve	1
11	Check Valve	1
12	Gear Pump	1
13	Reservoir	1
14	Reservoir Lid	1
15	Drain Tube	1

FIG. 4 - MAIN COLUMN

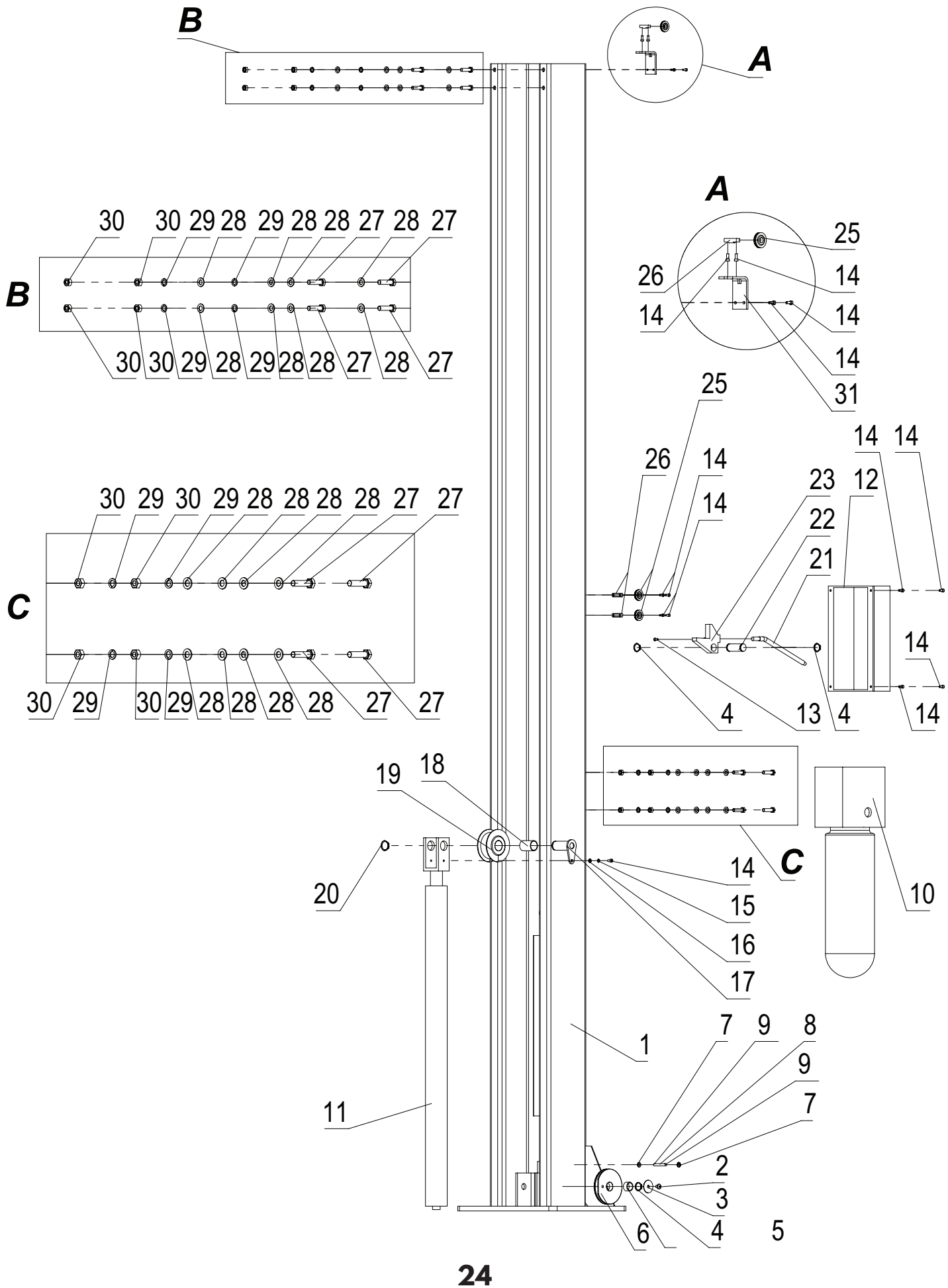


FIG. 5 - OFFSIDE COLUMN

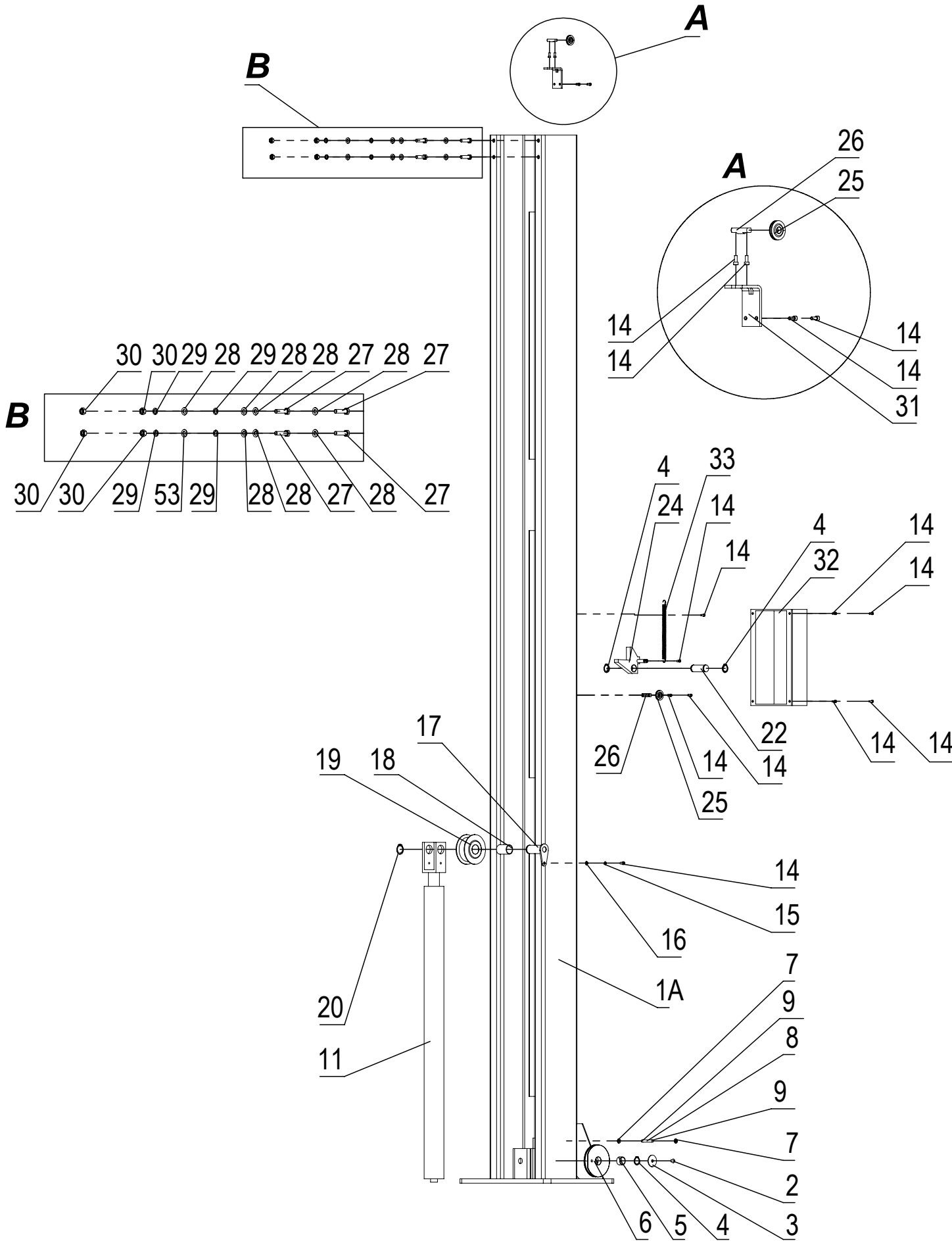


FIG. 6 - CARRIAGE

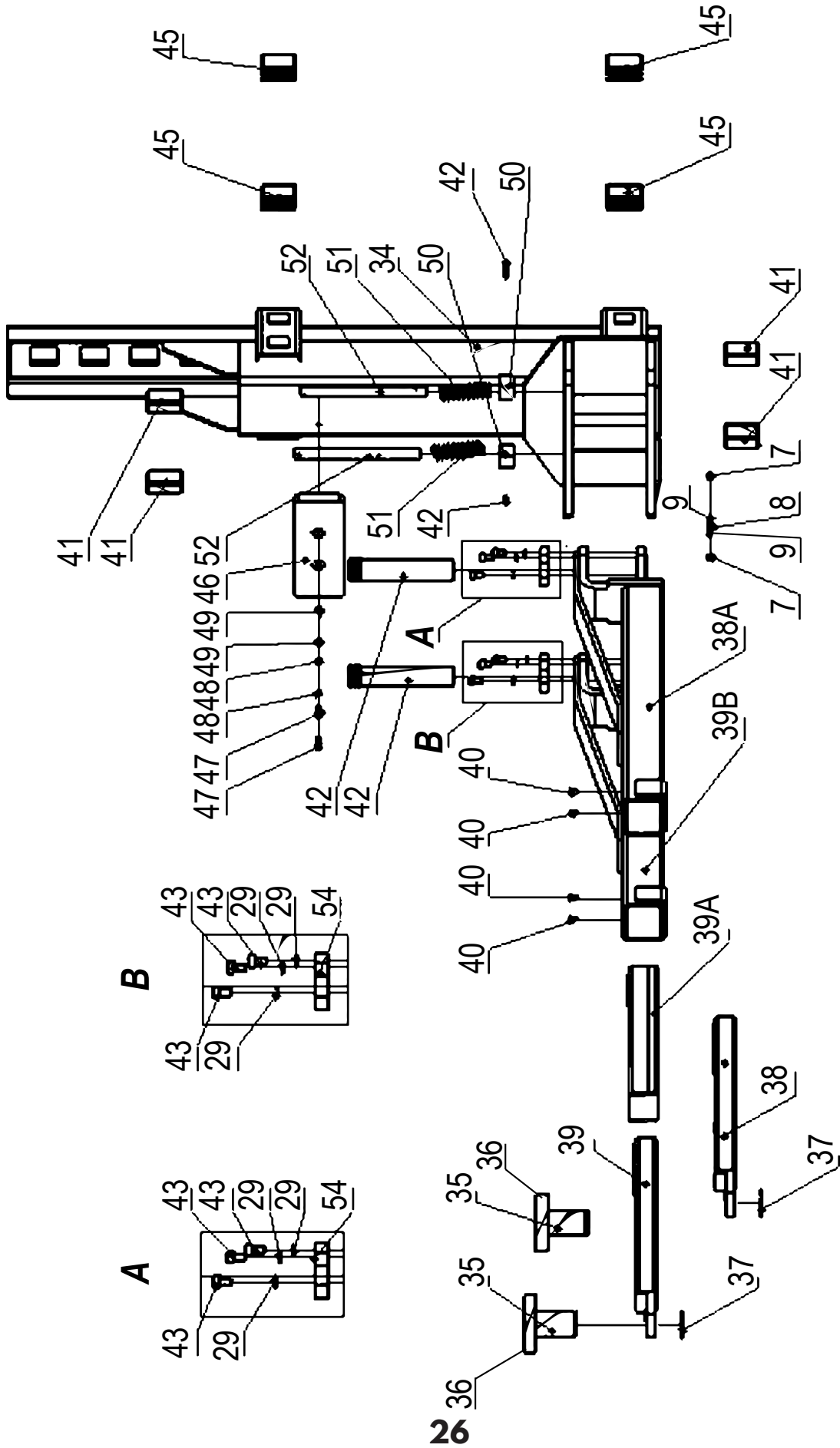


FIG. 7 - CROSSBEAM

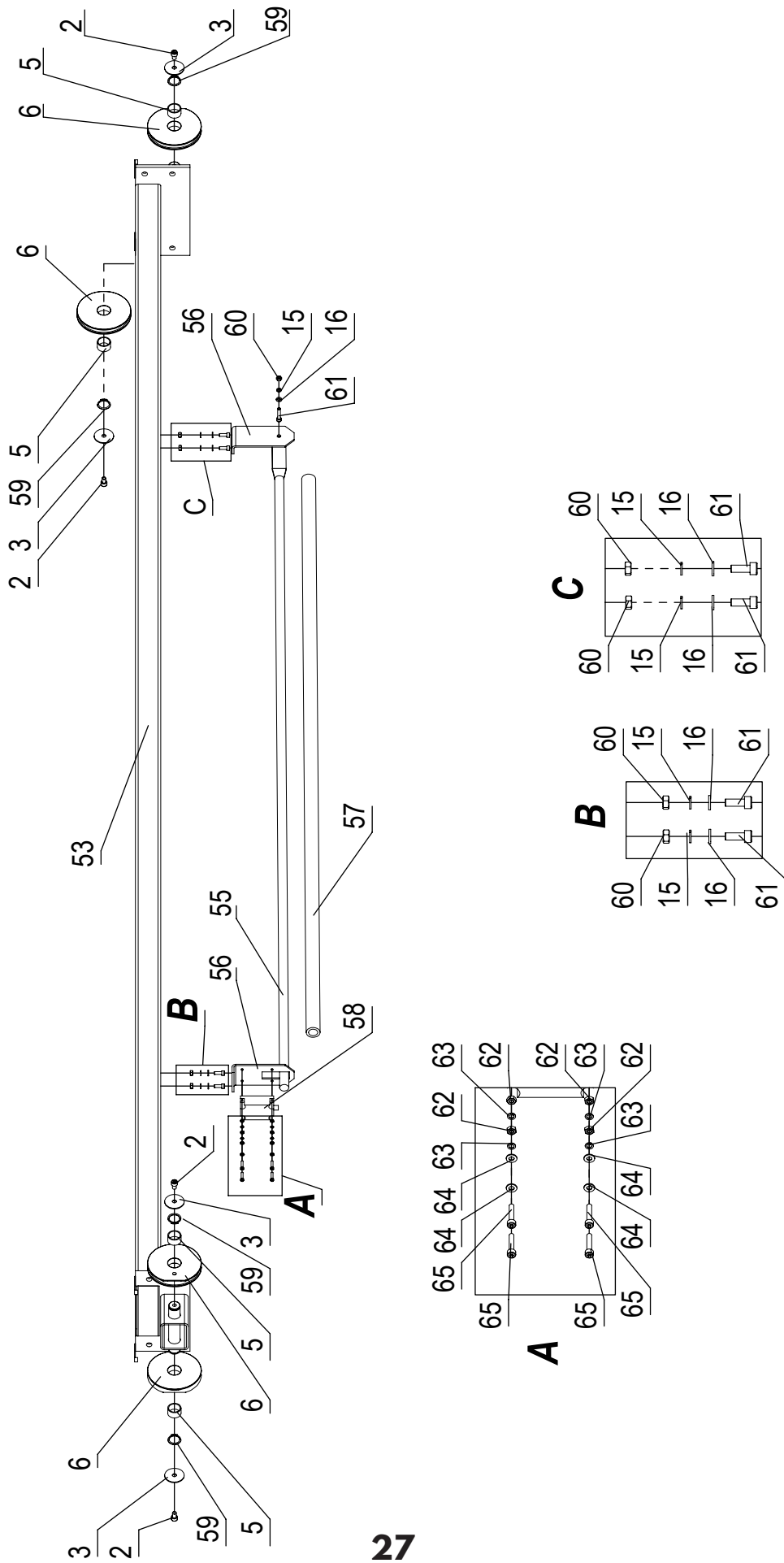
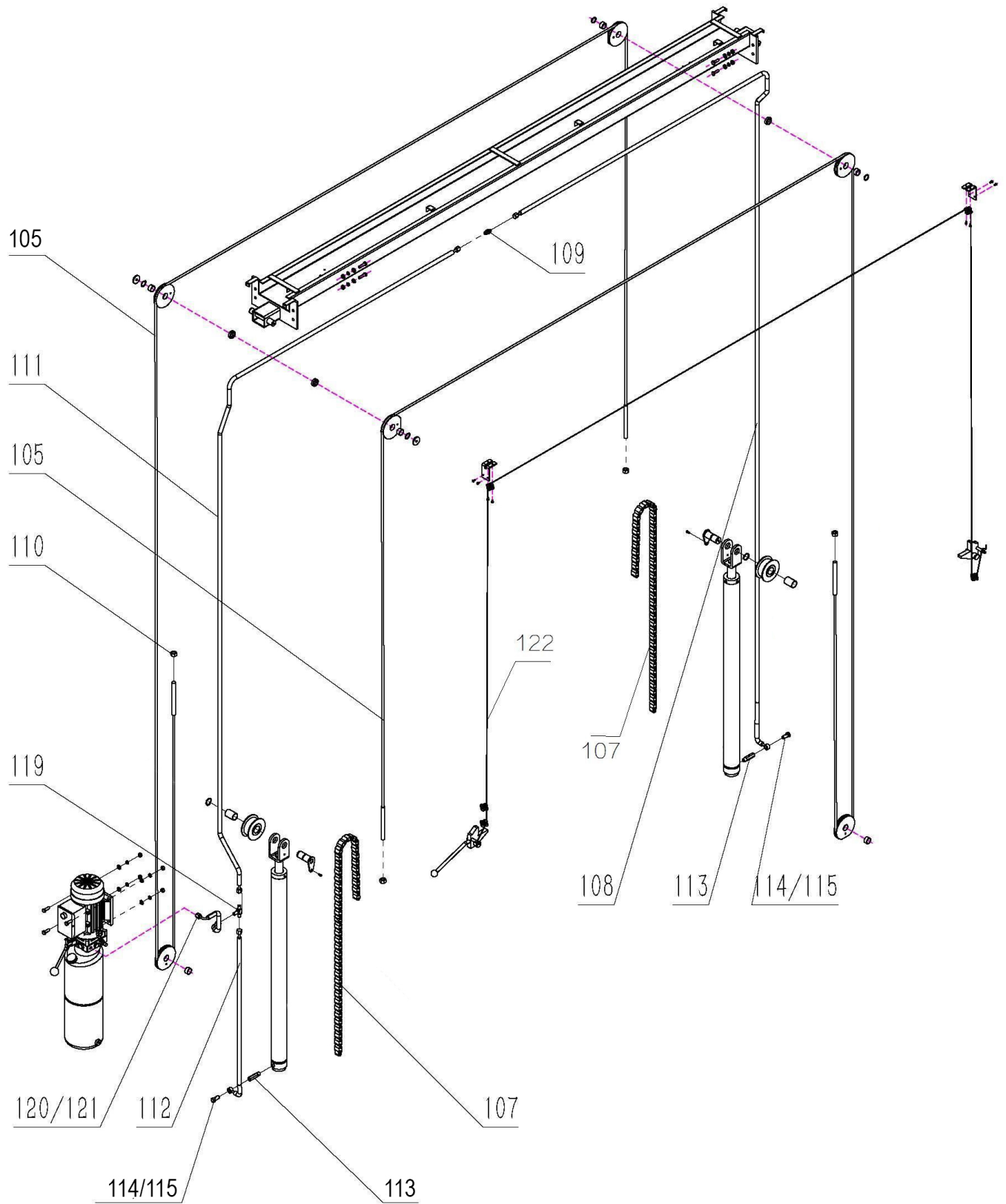


FIG. 8 - CABLES & HOSES



PARTS LIST

ITEM	DESCRIPTION	QTY	ITEM	DESCRIPTION	QTY
1	Main column assembly	1	34	Carriage assembly	2
1A	Offside column assembly	1	35	Lifting pad assembly	4
2	Hex bolt - M8x8	2	36	Rubber lifting pad	4
3	Washer - Ø8	2	37	Clip - C50	4
4	Spring washer - C25	6	38	Forearm of 2-stage straight arm assembly	2
5	Copper bush - Ø29x25x16	2	38A	Rear arm of 2-stage straight arm assembly	2
6	Wire rope pulley	2	39	Forearm of 3-stage straight arm assembly	2
7	Flat washer - M8	6	39A	Middle section of 3-stage straight arm assembly	2
8	Pin of chain - Ø7.7x55	3	39B	Rear arm of 3-stage straight arm assembly	2
9	Pin - Ø3.2	6	40	Hex bolt - M8x12	8
10	Power unit - YS79L-2F	1	41	Slide block 2	8
11	Oil cylinder - LY1610YK	2	42	Pin-shaft of lifting arm	8
12	Lock cover (mainside)	1	43	Hex bolt - M10x16	12
13	Hex bolt - M5x12	1	44	Spring washer - M10	4
14	Hex bolt - M6x12	27	45	Slide block 1	8
15	Spring washer - M6	2	46	Crashproof block	4
16	Flat washer - M6	2	47	Hex bolt - M8x20	8
17	Shaft assembly of chain	2	48	Spring washer - M8	8
18	Copper bush - Ø34x30x50	2	49	Lock washer - M8	8
19	Chain wheel	2	50	Lock system of lifting arm	4
20	Spring washer - C30	2	51	Pressure spring - Ø31x3.2x165	4
21	Lock release handle	1	52	Lock bar of lifting arm	4
22	Shaft of safety lock	1	53	Crossbeam assembly	1
23	Lock teeth assembly (Left)	1	54	Arm Restraint Gear	2
24	Lock teeth assembly (Right)	1	55	Limit switch pipe	1
25	Lock release wire pulley	3	56	Connecting board	2
26	Shaft of lock release	6	57	Sponge tube - Ø30x5x1800	1
27	Outside hex bolt - M10x40	12	58	Limit switch - LX19-001	1
28	Flat washer - M10	8	59	Clip - C25	4
29	Spring washer - M10	4	60	Nut - M6	5
30	Nut - M10	4	61	Hex bolt - M6x16	5
31	Trundle bracket	2	62	Nut - M4	4
32	Lock cover (offside)	1	63	Spring washer - M4	4
33	Pull spring - 84xØ1.6	1	64	Flat washer - M4	4
34	Carriage assembly	1	65	Hex bolt - M4x20	4
35	Lifting pad assembly	2			
36	Rubber lifting pad	2			

ITEM	DESCRIPTION	QTY
105	Cable 10900mm	2
107	Chain	1
108	Hydraulic Hose 5300mm	1
109	Hydraulic Hose Fitting 9/16 to 9/16	1
110	Nut for cable M16	1
111	Hydraulic Hose 4450mm	1
112	Hydraulic Hose 940mm	1
113	Connector to Cylinder 65mm	2
114	Banjo Bolt	2
115	Combination Seal	4
119	T-Fitting	1
120	Hydraulic Hose 430mm	1
121	Connector to Power Unit 1/4 to 3/8	1
122	Safety Release Cable	1



LIMITED WARRANTY

The **Titan 2 Post lifts, 4 Post lifts and Bridge Jacks** are backed by a standard **1-year** replacement parts warranty and a **5-year** structural warranty from the date of purchase, to the original purchaser only. The **1-year** replacement parts warranty covers power units, hydraulic cylinders, and all other assembly components such as, but not limited to: turn plates, slip plates, cables, chains, valves, switches etc. This does not cover normal wear items such as, but not limited to: rubber lifting pads and nylon slide blocks. Titan Elite model lifts have been discontinued but still qualify under the same terms as shown above.

Titan SL-6600 Scissor Lifts and PREMIER Series 2 Post Lifts are backed by a **2-year** replacement parts warranty and a **5-year** structural warranty from the date of purchase, to the original purchaser only. The **2-year** replacement parts warranty covers power units, hydraulic cylinders, and all other assembly components such as, but not limited to: valves, switches, capacitors etc. This does not cover normal wear items such as, but not limited to: rubber lifting pads, nylon slide blocks and rubber arm pads.

Titan MRL-6000 Scissor lifts are backed by a standard **1-year** replacement parts warranty and a **5-year** structural warranty from the date of purchase, to the original purchaser only. The **1-year** replacement parts warranty covers power units, hydraulic cylinders, and all other assembly components such as, but not limited to: valves, switches, capacitors etc. This does not cover normal wear items such as but not limited to rubber lifting pads.

Titan ROT-4500 Rotisseries are backed by a standard **1-year** replacement parts warranty from the date of purchase, to the original purchaser only. The **1-year** replacement parts warranty covers components such as, but not limited to: hydraulic cylinders, caster assemblies, bearings etc. This does not cover normal wear items such as, but not limited to, mounting adapters.

Titan Standard Duty and Heavy Duty motorcycle lifts are backed by a standard **1-year** replacement parts warranty from the date of purchase, to the original purchaser only. The **1-year** replacement parts warranty covers power units, hydraulic cylinders, pneumatic cylinders, and all other assembly components such as, but not limited to: cables, caster wheels, valves, switches, wheel vises etc. This does not cover normal wear items such as, but not limited to: rubber wheel vise pads.

Titan Light Duty motorcycle lifts are warranted for replacement parts only to the original purchaser for a period of **90 days** from the date of purchase. This **90 day** replacement parts warranty covers items such as, but not limited to: hydraulic cylinder, casters, pedal assemblies, wheel vises etc. This does not cover normal wear items such as, but not limited to: rubber wheel vise pads.

Titan Bulldog Moto Cradle Wheel Chock is warranted for replacement parts, only to the original purchaser, for a period of **2-years** from the date of purchase.

XL Tool by Titan Wheel Service Machines and Helper Arm Assemblies are backed by a standard **1-year** replacement parts warranty from the date of purchase, to the original purchaser only. The **1-year** replacement parts warranty covers internal boards, motors, pneumatic cylinders, and all other assembly components such as, but not limited to: cabinet, switches, valves, fittings etc. This does not cover normal wear items such as but not limited to: rubber pads, jaw protectors, air hoses, quick nut assemblies.

Titan shop equipment products and accessories are warranted for replacement parts only to the original purchaser for a period of **90 days** from the date of purchase. This **90 day** replacement parts warranty covers products such as but not limited to: EZ -Mover Jacks, Mini Jacks, tie down products, wheel service accessories, Bulldog Moto Cradle Wheel Chock accessories, dollies, stands, Multi-purpose Jacks, etc.

Titan TJ1T, FJ2T, and FJ3T are warranted for replacement parts only to the original purchaser for a period of **1 year** from the date of purchase.

All non-serialized items will require proof of purchase in the form of a sales receipt from an authorized Titan Lifts dealer showing the date of purchase for any warranty consideration.

For **all** warranty considerations, Titan Marketing, LLC will supply replacement parts only during the warranty period. The original purchaser is responsible for all shipping, handling, and any labor charges incurred. Hydraulic/Pneumatic cylinders may qualify for exchange under warranty if reported within the first 30 days from date of sale. After the first 30 days from date of sale, a seal kit and installation instructions will be sent for cylinder repairs. All defective parts must be returned to Titan for inspection and examination. Any parts that are found to be defective will be replaced or repaired to proper working order. Other items not listed above may be considered general wear parts and therefore, will not be covered under warranty. These warranties **do not** extend to **defects** caused by ordinary wear, abuse, misuse, shipping damage, improper installation, voltage or lack of required maintenance. Titan Marketing, LLC is **not** to be held responsible for any **failure** that results from an accident, purchaser/operator abuse, neglect, or failure to operate products in accordance with instructions provided in the owner's manual(s) supplied. Damage caused by rain, excessive humidity, corrosive environments or other contaminants are not covered under warranty. **THESE WARRANTIES DO NOT EXTEND TO ANY COSMETIC DEFECT NOT INTERFERING WITH EQUIPMENT FUNCTIONALITY OR ANY INCIDENTAL, INDIRECT, OR CONSEQUENTIAL LOSS, DAMAGE, OR EXPENSE THAT MAY RESULT FROM ANY DEFECT, FAILURE OR MALFUNCTION OF A TITAN MARKETING LLC PRODUCT OR THE BREACH OR DELAY IN PERFORMANCE OF THE WARRANTY.**

P.O. Box 7069 • Greenwood, IN 46142 • Ph. 888-908-4826 • Fx. 317-215-2770 • www.titanlifts.com

WARRANTY REGISTRATION

In order to utilize the warranty on this Titan Lifts product, you must register your product with us. The simplest way to do this is to visit TITANLIFTS.COM/WARRANTIES and submit your information online. If you prefer to send your information through the mail, please fill out the form below and send this page to us at :

**Titan Lifts
PO Box 7069
Greenwood, IN 46142**

EQUIPMENT MODEL: _____ SERIAL NUMBER: _____
TYPE OF POWER UNIT: _____ SERIAL NUMBER: _____
DATE OF PURCHASE: _____
PLACE PURCHASED: _____
NAME: _____
STREET: _____
CITY, STATE, ZIP: _____
PHONE: _____
EMAIL: _____

OPT OUT OF PROMOTIONS



In order to receive your warranty, return this card or visit TITANLIFTS.COM/WARRANTIES within 30 days.

 **WARNING** 

The warnings, precautions and instructions in this manual cannot cover all possible conditions and situations that may occur. The operator must understand that the operator must supply common sense and examine caution factors when using this product to determine safety in all circumstances being used.



TITAN MARKETING, LLC

PO Box 7069 Greenwood, IN 46142
1.888.908-4826 FAX (317) 215.2770
www.titanlifts.com

**Patent No.: US 8,104,588 B2
CA 2,729,670**

8/18/22