




INSTALLATION, OPERATION, & MAINTENANCE MANUAL



WC-1500X-QDC-BK
QUICK DETACH CLAMP

 FOLLOW THIS MANUAL CAREFULLY TO ENSURE THE MACHINE WILL FUNCTION CORRECTLY AND PROVIDE MANY YEARS OF DEPENDABLE SERVICE. FAILURE TO FOLLOW THESE INSTRUCTIONS AND SAFETY WARNINGS MAY RESULT IN PERSONAL INJURY OR PROPERTY DAMAGE. USE OF STRAPS IS RECOMMENDED - SOLD SEPARATELY



TITAN MARKETING, LLC

PO Box 7069 Greenwood, IN 46142
1.888.908-4826 FAX (317) 215.2770
www.titanlifts.com

To Our Valued Customers:

Thank you for purchasing a Titan Lifts® product. We hope this high quality equipment provides you with years of dependable service.

It is unfortunate that rare situations may occur with the products you purchase from Titan Lifts®. We value your business as well as the trust you have and need to maintain your relationship with us. Titan Lifts® carries liability coverage that may protect our customers if a situation does occur. However, as in all accidents there must be proof of liability for a claim to be made. Our insurance company requires the following procedures be observed in order to consider a claim:

- A. The claimant must contact the Titan Lifts® distributor immediately with the facts of the situation.
- B. If any equipment is damaged, including vehicles or shop equipment, Titan Lifts® must be given the opportunity to send an impartial representative to the site for proper assessment of the situation.
- C. The Vehicle cannot be moved until either an impartial representative has reviewed the accident or clear and precise pictures are taken that reflect all the pertinent information for an impartial representative to be able to access the information from a distance. Titan Lifts® or its representatives must approve the pictures before anything can be moved.
- D. If any potential liability is determined on behalf of Titan Lifts®, two estimates must be submitted for damages to be reimbursed.

It is imperative that the claimant complies with these procedures, because without proper assessment of the situation a claim will be denied.

ARBITRATION NOTICE

The installation or use of this equipment shall constitute an acknowledgement that the user agrees to resolve any and all disputes or claims of any kind whatsoever, which relate in any way to the equipment, by way of binding arbitration, not litigation. No suit or legal action may be filed in any state or federal court. Any arbitration shall be governed by the Federal Arbitration Act, and administered by the American Mediation Association, Indianapolis Indiana. The maximum amount that an arbitrator may award and all damages shall not exceed the retail value of this equipment.

WARRANTY NOTICE

This equipment must be installed by a "Professional Installer" assembled and used in the manner according to the documentation provided to be covered by warranty.

Damaged or missing components must be reported within 72 hours of receipt to your freight carrier and to the distributor. Claims must be filed to cover cost.

If you have any questions or if we can be of any further assistance, please don't hesitate to contact a Titan Lifts® representative at 1-888-908-4826. Thank you for the opportunity to continue to serve your lift equipment needs.

INSTRUCTIONS



WARNING: READ ENTIRE MANUAL AND COMPLY WITH ALL SAFETY AND SERVICE PRECAUTIONS. DEATH, PERSONAL INJURY AND / OR PROPERTY DAMAGE MAY OCCUR IF INSTRUCTIONS ARE NOT FOLLOWED CAREFULLY.



NOTE: THIS BULLDOG MOTO CRADLE ACCESSORY IS DESIGNED TO BE USED ALONG WITH THE QUICK DETACH BASE (PART #WC-1500X-QDB-BK). IF YOUR TITAN BULLDOG MOTO CRADLE IS EQUIPPED WITH A QUICK DETACH BAR, THEN YOU DO NOT NEED THIS PRODUCT.

UNPACKING AND SET-UP

1. CAREFULLY UNPACK THE QUICK DETACH BASE MAKING SURE THAT ALL OF THE PARTS HAVE BEEN INCLUDED.

OPERATION & MAINTENANCE

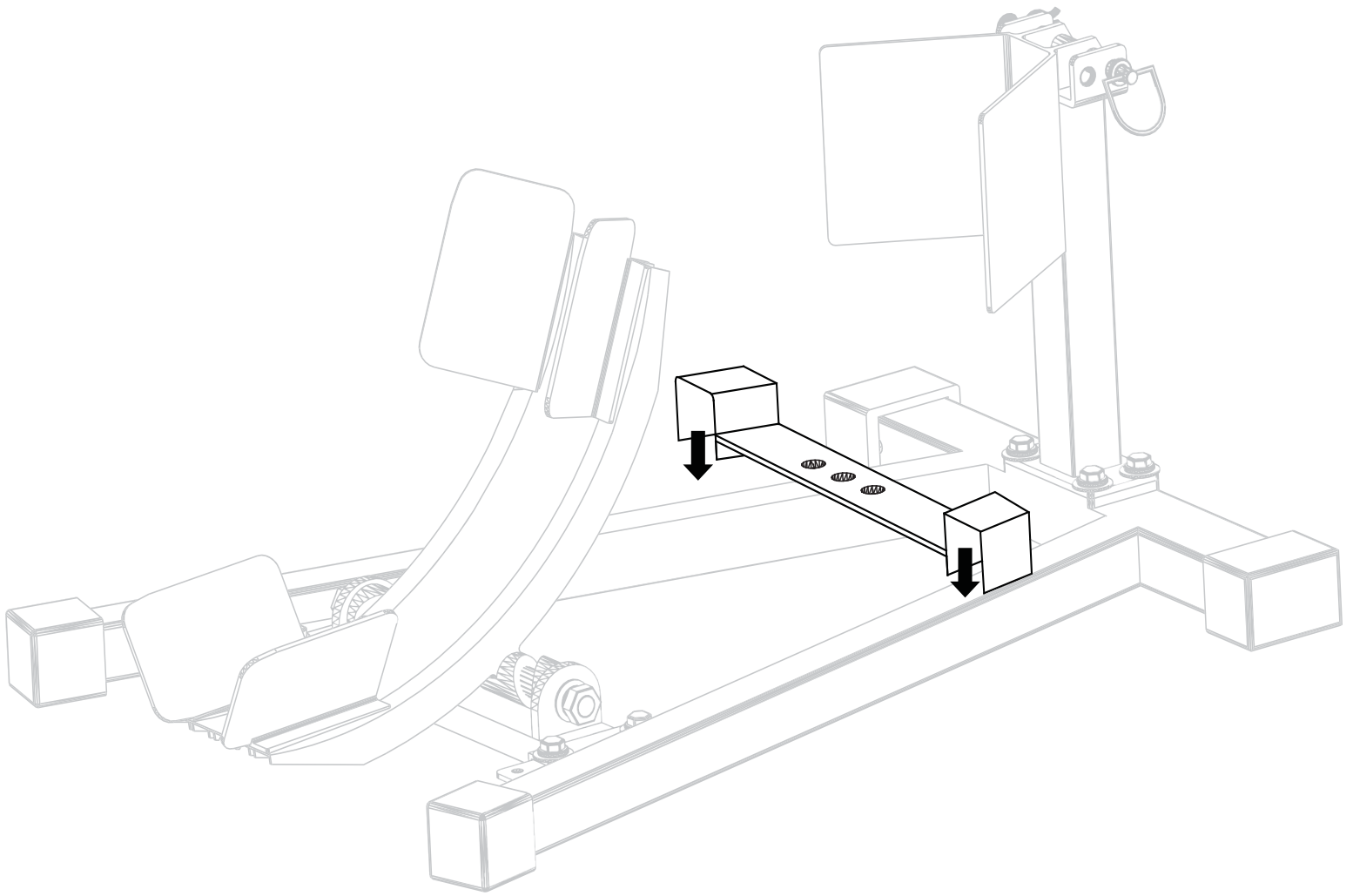
1. Attach the socket shoulder screws (1104) supplied with the quick detach base (part #WC-1500X-QDB-BK) into the quick detach clamp (part #WC-1500X-QDC-BK).
2. To mount the Bulldog Moto Cradle, line the quick detach clamp up with the sides of the Bulldog Moto Cradle frame. Slide both sides of the quick detach clamp down over the frame so that it sits firmly on top.
3. Slide the tops of the shoulder screws (1104) into the large end of the keyholes on the base and then slide forward to secure.
4. Use the spade head thumb screw (1105) through the quick detach clamp to lock the Bulldog Moto Cradle and quick detach base into place.
5. Once the Bulldog Moto Cradle is mounted to the quick detach base, make sure that all screws and connections are securely fastened before use.
6. Once the motorcycle is mounted into the Bulldog Moto Cradle, the use of straps is recommended to firmly secure the motorcycle into place.
7. Do not use this product if worn or damaged. Examine this product for structural cracks, bends, or other signs of damage prior to each use to ensure safe proper working condition.

SAFETY PRECAUTIONS

1. Always check to make sure the quick detach base is securely mounted before attaching the Bulldog Moto Cradle and loading a bike.
2. Use this product only for the work it is intended. Do not use this product for an application for which it was not designated. Misuse can lead to personal injury and/or property damage.
3. Frequently check the spade head thumb screw for tightness during transport.

WARNING

The warnings, precautions and instructions in this manual cannot cover all possible conditions and situations that may occur. The operator must understand that the operator must supply common sense and examine caution factors when using this product to determine safety in all circumstances being used.



TITAN MARKETING, LLC

PO Box 7069 Greenwood, IN 46142
1.888.908-4826 FAX (317) 215.2770
www.titanlifts.com