




TITAN Bulldog™

Patent Pending

Thank you for purchasing the Titan Bulldog Wheel Chock. The Titan Bulldog is designed for wheels from 13" to 22" in diameter and tire width from 70mm to 140mm. Please read through this manual before you use this product so that you comply with all safety and service precautions. With proper use, we hope this high quality product provides you with years of dependable service.

Notification:

All illustrations and specifications contained within this manual are based on the latest product information available at the time of printing. Titan Lifts reserves the right to make changes at any time, without notice, in color, materials, equipment, options, specifications and models.

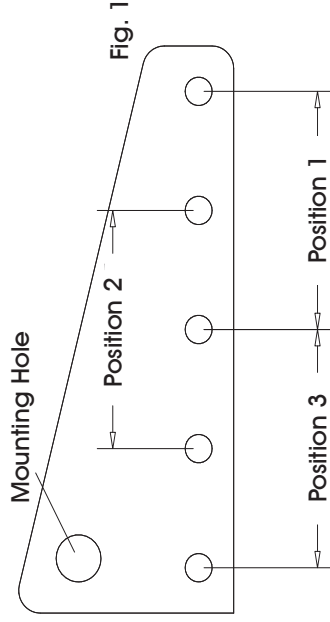
 FOLLOW THIS MANUAL CAREFULLY TO ENSURE THE PRODUCT WILL FUNCTION CORRECTLY AND PROVIDE MANY YEARS OF DEPENDABLE SERVICE. FAILURE TO FOLLOW THESE INSTRUCTIONS AND SAFETY WARNINGS MAY RESULT IN PERSONAL INJURY OR PROPERTY DAMAGE. MAY NOT BE SUITABLE FOR SOME CUSTOM WHEEL AND FENDER COMBINATIONS.

Assembly:

- Bolt the front post down to the base using (4) of the 8mm fasteners & washers. - Fig.2
- Using the adjustment pin, attach the tire stop on the front post. - Fig.3
- Bolt the cradle to the base using (4) of the 8mm fasteners & washers. - Fig.4
- Lubricate the pivot points of the cradle before use. - Fig.5

Suggested Adjustments: - Fig. 1

- 13" - 16" Diameter – Position 1
- 17" - 19" Diameter – Position 2
- 20" - 22" Diameter – Position 3



Before Use:

- Make sure the Titan Bulldog is properly adjusted to the size of your tire.
- Check that the cradle is properly lubricated so it rolls freely & smoothly.
- Check that all fasteners are installed and tightened.

Towing:

Always make sure equipment is securely mounted to your truck / trailer. (Fig. 1) Tie downs must be used while trailering a vehicle. Never tow a vehicle without making sure that it is strapped down and secure.

Operation:

- Make sure the Titan Bulldog is properly adjusted to the size of your tire.
- Ride or push the vehicle into the stand. Keep the tire in the center of the cradle. The cradle will clamp the front tire as it rolls forward and hold the vehicle against the front tire stop.
- Once the vehicle is in place, apply the safety latch to keep the cradle in position.
- To release, remove the safety latch and make sure your vehicle is in neutral. Give the vehicle a firm rearward pull to release it from the chock.

Maintenance:

Check and lubricate prior to each use. Lubricate the pivot rod with a light coat of grease or oil to maintain a smooth action. Lightly lubricate the pivot assemblies with Lithium Grease or equivalent lubricant. Be sure to keep grease and oil away from the surfaces that contact the tires.

Two Year Limited Warranty:

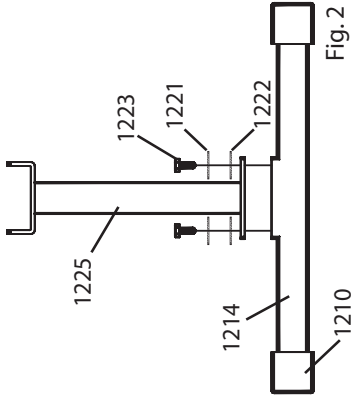
The Titan product WC1500X Titan Bulldog has a two-year limited warranty that is valid to the original purchaser of the product starting on the purchase date. Upon receiving your product, damaged or missing components must be reported within 72 hours of receipt to your freight carrier and to the distributor. This warranty does not cover damage that results from negligent use or use of the product that defers from the operating instructions. Disassembling, repairing or altering this product by any unauthorized persons will result in an automatic termination of warranty. If any damage occurs due to breach of this warranty, Titan Lifts will not be held liable in any way. The Titan Bulldog two-year limited warranty is for parts only with all freight charges being covered by the consumer.

PO BOX 7069 Greenwood IN, 46142
Phone: 1.888.908.4826 Fax: 317.215.2770

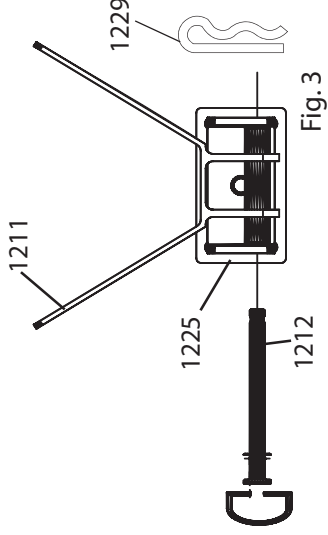
www.titanlifts.com

Assembly:

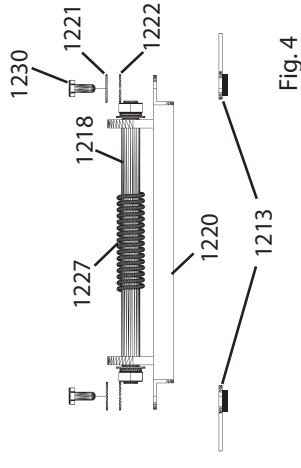
Step 1: Bolt front post down to base using (4) 8 mm fasteners & washers



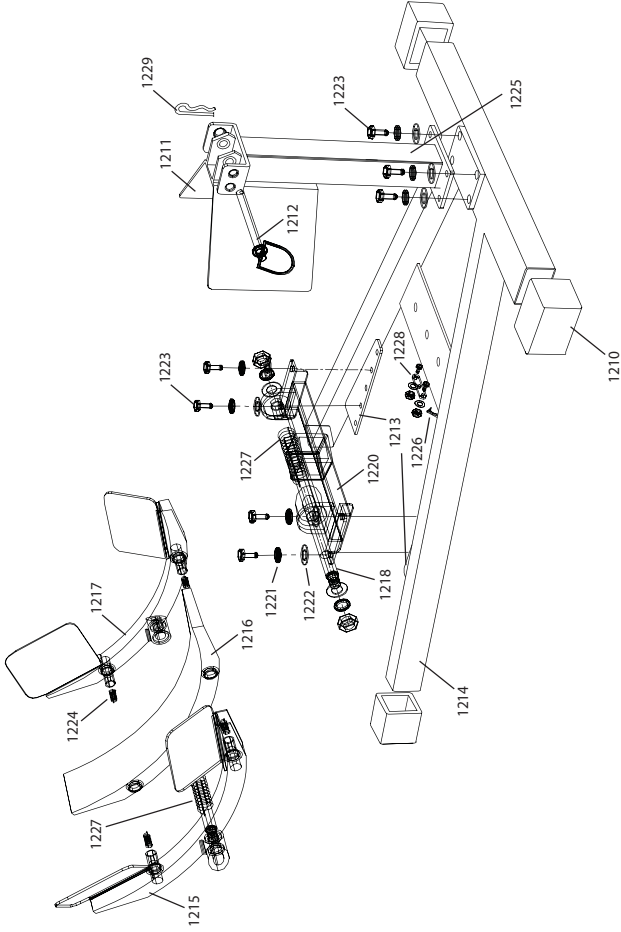
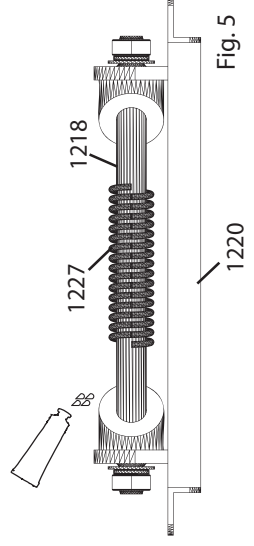
Step 2: Using the adjustment pin attach the tire stop to the front post



Step 3: Bolt the Cradle to the base using (4) 8 mm fasteners & washers



Step 4: Lubricate the pivot points of the cradle before use



1210	(4) Non-Slip Rubber Feet	1221	(8) Lock Washer
1211	Tire Stop Plate	1222	(8) Flat Washer
1212	Adjustment Pin	1223	(8) 8mm Fasteners
1213	Adjustment Plate(s)	1224	(4) Compression Spring(s)
1214	Base	1225	Front Post
1215	Right Clamp Member	1226	Latch
1216	Ramp	1227	Torsion Spring
1217	Left Clamp Member	1228	Latch Extension (if necessary)
1218	Pivot Rod	1229	Lock Pin
1220	Cradle Attachment Bar		