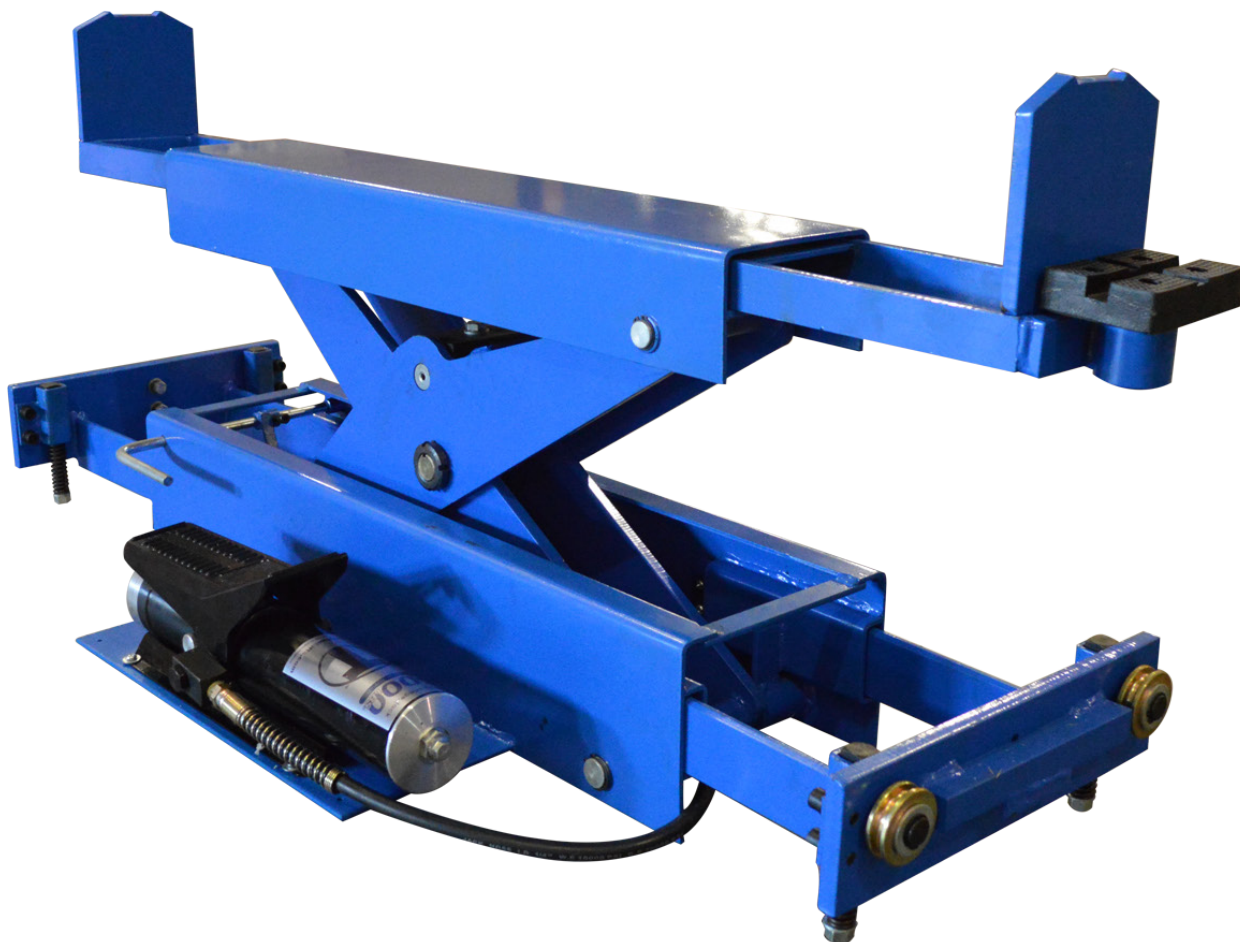




## **INSTALLATION, OPERATION & MAINTENANCE MANUAL**



### **RJ-6K-HP 6,000 LB ROLLING BRIDGE JACK**

**⚠ FOLLOW THIS MANUAL CAREFULLY TO ENSURE THE MACHINE WILL FUNCTION CORRECTLY AND PROVIDE MANY YEARS OF DEPENDABLE SERVICE. FAILURE TO FOLLOW THESE INSTRUCTIONS AND SAFETY WARNINGS MAY RESULT IN PERSONAL INJURY OR PROPERTY DAMAGE. USE OF SAFETY JACK STANDS ARE RECOMMENDED - SOLD SEPARATELY. KEEP THIS MANUAL IN A SAFE DRY PLACE FOR FUTURE REFERENCE.**



**TITAN MARKETING, LLC**

PO Box 7069 Greenwood, IN 46142  
1.888.908-4826 FAX (317) 215.2770  
www.titanlifts.com

To Our Valued Customers:

Thank you for purchasing a Titan Lifts® product. We hope this high quality equipment provides you with years of dependable service.

It is unfortunate that rare situations may occur with the products you purchase from Titan Lifts®. We value your business as well as the trust you have and need to maintain your relationship with us. Titan Lifts® carries liability coverage that may protect our customers if a situation does occur. However, as in all accidents there must be proof of liability for a claim to be made. Our insurance company requires the following procedures be observed in order to consider a claim:

- A. The claimant must contact the Titan Lifts® distributor immediately with the facts of the situation.
- B. If any equipment is damaged, including vehicles or shop equipment, Titan Lifts® must be given the opportunity to send an impartial representative to the site for proper assessment of the situation.
- C. The Vehicle cannot be moved until either an impartial representative has reviewed the accident or clear and precise pictures are taken that reflect all the pertinent information for an impartial representative to be able to access the information from a distance. Titan Lifts® or its representatives must approve the pictures before anything can be moved.
- D. If any potential liability is determined on behalf of Titan Lifts®, two estimates must be submitted for damages to be reimbursed.

It is imperative that the claimant complies with these procedures, because without proper assessment of the situation a claim will be denied.

#### ARBITRATION NOTICE

The installation or use of this equipment shall constitute an acknowledgement that the user agrees to resolve any and all disputes or claims of any kind whatsoever, which relate in any way to the equipment, by way of binding arbitration, not litigation. No suit or legal action may be filed in any state or federal court. Any arbitration shall be governed by the Federal Arbitration Act, and administered by the American Mediation Association, Indianapolis Indiana. The maximum amount that an arbitrator may award and all damages shall not exceed the retail value of this equipment.

#### WARRANTY NOTICE

This equipment must be installed by a "Professional Installer" assembled and used in the manner according to the documentation provided to be covered by warranty.

Damaged or missing components must be reported within 72 hours of receipt to your freight carrier and to the distributor. Claims must be filed to cover cost.

If you have any questions or if we can be of any further assistance, please don't hesitate to contact a Titan Lifts® representative at 1-888-908-4826. Thank you for the opportunity to continue to serve your lift equipment needs.

# CONTENTS

<b>OPERATION .....</b>	<b>1</b>
<b>INSTRUCTIONS .....</b>	<b>1</b>
<b>DAILY MAINTENENCE .....</b>	<b>2</b>
<b>SAFETY PRECAUTIONS .....</b>	<b>2</b>
<b>SPECIFICATIONS .....</b>	<b>3</b>
<b>TROUBLESHOOTING.....</b>	<b>3</b>
<b>PARTS DIAGRAM (JACK).....</b>	<b>4</b>
<b>PARTS LIST .....</b>	<b>5</b>
<b>PARTS DIAGRAM (PUMP).....</b>	<b>6</b>
<b>PARTS LIST .....</b>	<b>7</b>
<b>PARTS LIST CONTINUED .....</b>	<b>8</b>

# INSTRUCTIONS

**⚠ WARNING:** READ ENTIRE MANUAL AND COMPLY WITH ALL SAFETY AND SERVICE PRECAUTIONS. DEATH, PERSONAL INJURY AND/OR PROPERTY DAMAGE MAY OCCUR IF INSTRUCTIONS ARE NOT FOLLOWED CAREFULLY.

## SET-UP

1. Position the rolling jack on the platform railways (Fig 1).



Fig 1



Fig 2



Fig 3

2. Mount the railway safety brackets on both ends of the jack (Fig 2).
3. Connect the airline to the fitting on the air/hydraulic pump. It is recommended that a water-separator filter be installed inline, before the pump.
4. Choose the appropriate height adapter (Fig 3).

## OPERATION

1. **DO NOT ATTEMPT TO LIFT MORE THAN THE UNIT'S RATED CAPACITY.**
2. This jack should only be operated on a level foundation/platforms.
3. Remove any potential obstacles that might impede jack frame travel.
4. The machine or vehicle that is being lifted should be properly positioned on the jack.
5. Do not remove heavy components from a raised machine or vehicle without first installing adequate supports. The vehicle may become unbalanced and fall.
6. **\\ When lifting, utilize the safety locks. \\** Raise the jack frame to the desired height (Fig 4), then lower the frame down by pressing the release lever until the frame rests securely on the safety lock.



Fig 4



Fig 5



Fig 6

7. **\\ Lowering the jack frame. \\** Raise the frame up off of the safety lock (Fig 5), press down on the safety release lever and at the same time, depress the release pedal to lower the frame down (Fig 6).

## NOTE:

1. It is suggested to lift a heavy load when the frame is already raised a few inches, rather than lifting from the completely collapsed position.
2. It is normal for the frame to lower down slowly without a load.

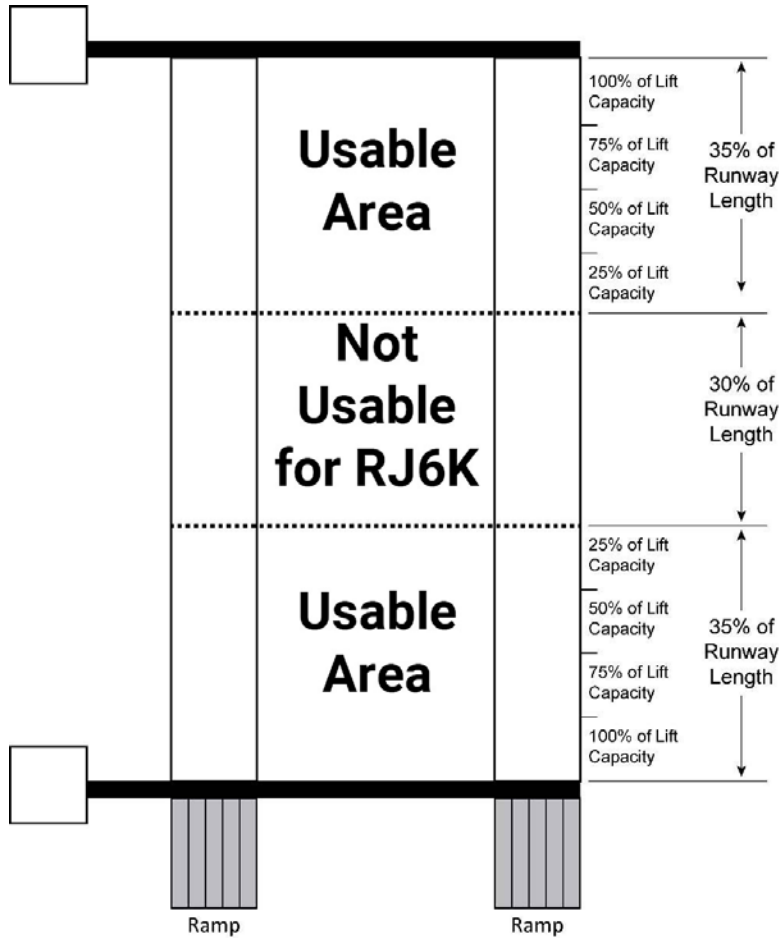
**i IMPORTANT:** THIS JACK IS DESIGNED TO BE USED IN CONJUNCTION WITH THE HD4P-12000. IT IS INTENDED FOR TEMPORARILY LIFTING AND LOWERING A VEHICLE. IT IS NOT FOR STORAGE OR FOR TRANSPORTING LOADS. **DO NOT LEAVE A VEHICLE ON THE LIFT FOR AN EXTENDED PERIOD OF TIME. DAMAGE TO THE JACK OR OTHER PROPERTY MAY RESULT. THIS IS NOT TO BE USED WITH THE TITAN SDPL SERIES 4-POST LIFTS.**

# DAILY MAINTENENCE

1. Insure all bolts are secured and snug with lock washer, nylon lock nuts, or cotter pins.
2. Jack locking mechanism should be cleaned and lubricated to operate properly.
3. Check locking mechanism for safety.
4. Check cylinders and hose for loose connections and leaks.
5. Check oil level in pump reservoir tank.

# SAFETY PRECAUTIONS

1. Load should not exceed rated capacity for this jack – 6000lbs
2. Only trained people should operate the jack.
3. Indoor use recommended.
4. Do not move the jack while loaded.
5. Keep hands, tools, and other extremities from any moving parts.
6. Maintain a safe working environment. The work area should be clean, dry, clutter free and sufficiently lit.
7. Wear proper safety attire. Do not wear loose fitting clothing while operating jack, long hair and sleeves should be secured.
8. Keep children and bystanders away from work area. Do not let children operate or play on jack.
9. Do not use if under the influence of drugs or alcohol. Operator must be alert at all times when using heavy lift equipment.
10. Never operate the jack with someone on it.
11. Use this jack only for the work it is intended. Do not use this product for an application for which it was not designated. Misuse can lead to personal injury and/or property damage.
12. Place safety jack stands (not included) under the vehicle to prevent the vehicle from falling in case the jack should lower unexpectedly.



**⚠ WARNING:** NEVER GO UNDER A RAISED VEHICLE UNLESS THERE ARE SAFETY JACK STANDS IN PLACE.

**⚠ WARNING:** VEHICLE WHEELS MUST BE CHOCKED & PARKING BRAKE SET PRIOR TO USING THIS JACK.

# SPECIFICATIONS

Lifting Capacity	Railway Width	Lifting Pad Width	Lowered Height(min)	Raised Height(max)
6,000 lb	37" - 52.25"	39.5" - 58.75"	5.5"	21"

Compressed Air Supply	Reservoir Capacity	Hydraulic Fluid Type
45 - 145 psi	20.25 oz	ISO 32 or AW 32 weight non-foaming, non-detergent

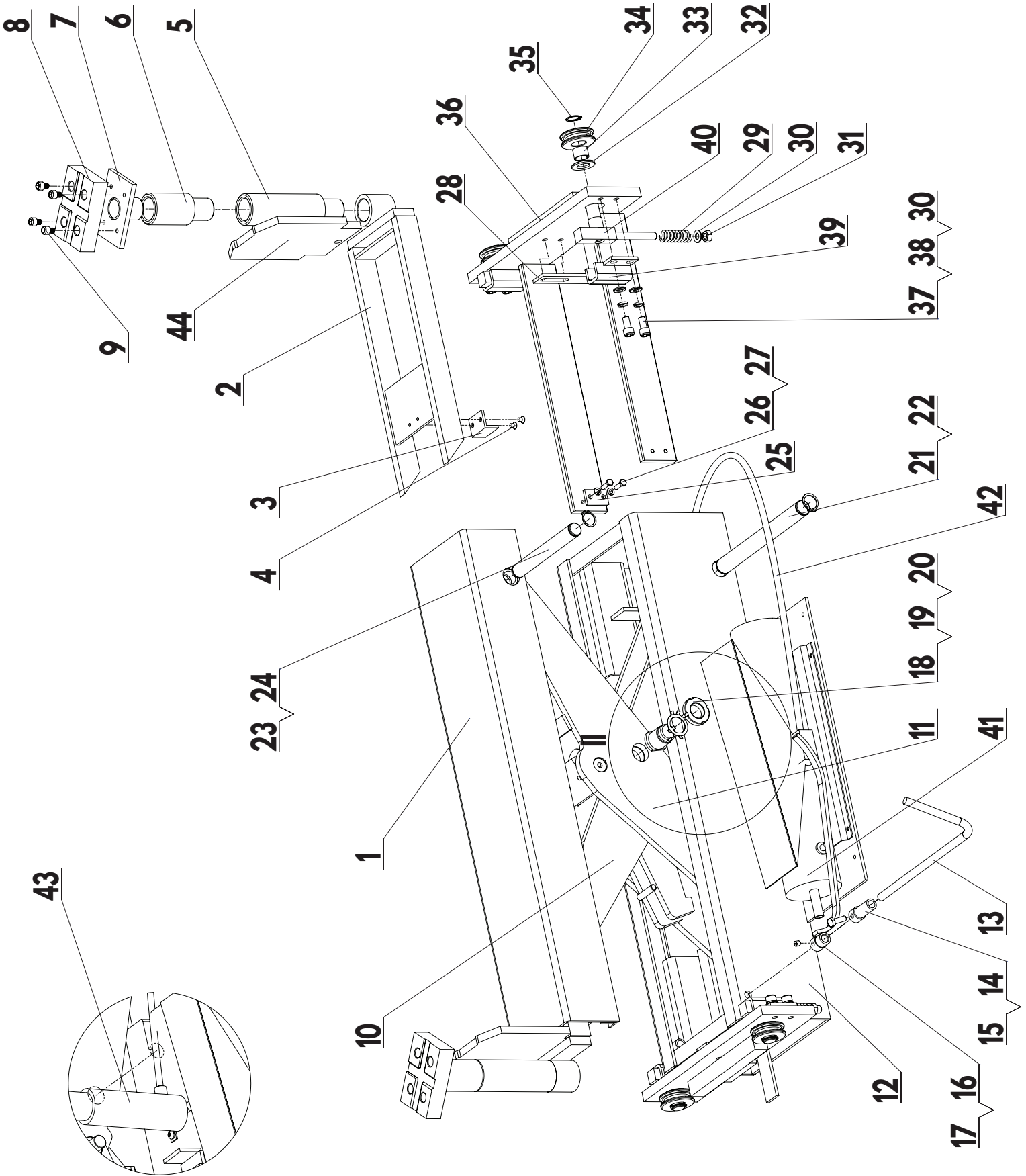
## TROUBLESHOOTING

- Air/hydraulic pump will not operate.
  - Check the pressure of compressed air supply. It should be between 75 - 115 psi for best performance.
  - Check for any leakage on hose and connectors.
- Air/hydraulic pump does not operate properly.
  - Contact Titan Lifts for additional troubleshooting and/or replacement.
- Jack frame does not move up and down smoothly.
  - Reposition vehicle location on the jack for more equal weight distribution.
  - Raise the jack all the way to the top and then return to the floor without load. Repeat 4-6 times in order to remove any air out of the hydraulic system. Remember to change the tank nut with the supplied one (Fig 7).
- Jack does not lift its rated capacity.
  - Reposition vehicle location on the jack for more equal weight distribution.
  - Check the pressure of compressed air supply. It should be between 75 - 115 psi for best performance.
- Cylinder leaks under rated load.
  - Check the leaks at the hydraulic hose, fittings, cylinders and pumps.
  - Check for clog in the check valve which may be preventing the valve from completely closing.
- Jack will not lower.
  - Raise the jack up one or two inches. Let the lock bar fully pass the safety latch and then press down the safety release lever to lower the jack.
  - Check the jack frame for any obstructions that may be preventing lowering.
  - The valve is blocked, stopping the oil from coming back from the cylinder. Check the air/hydraulic pump.



**Fig 7**

# PARTS DIAGRAM (JACK)

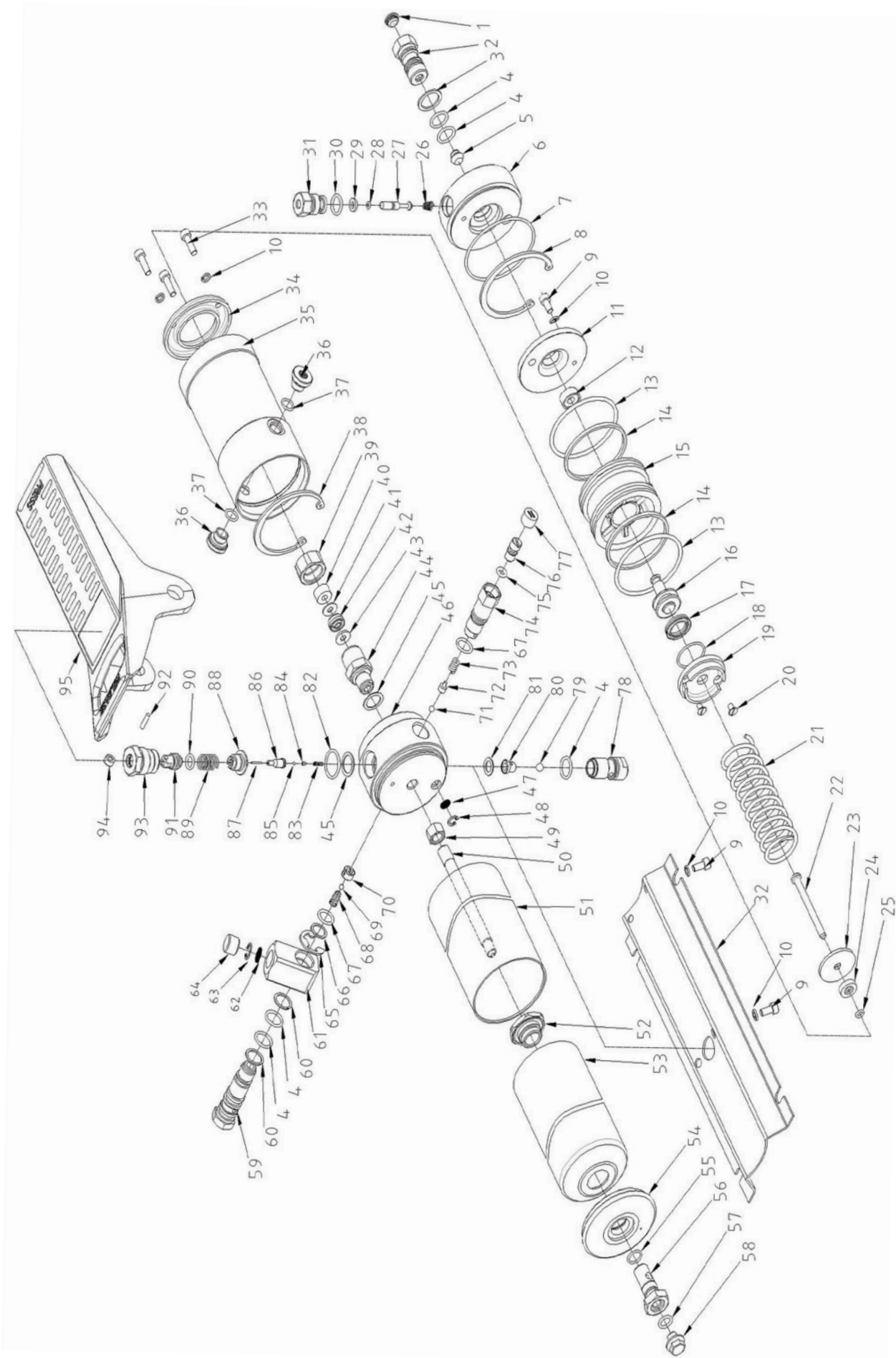


# PARTS LIST

NO.	DESCRIPTION	QTY
1	swing arms weld	1
2	moveable arms weld	2
3	limit block	2
4	chamfer head screw M6*8	4
5	adapter 5"	2
6	adapter 3"	2
7	splint	2
8	rubber subassembly	2
9	inner hexangular screw M8*16	4
10	inner blade weld	1
11	outer blade weld	1
12	pedestal of rolling jack weld	1
13	handgrip	1
14	alinment sheath	1
15	bolt M8*25	1
16	spindle sheath	1
17	screw M8*10	1
18	round nut M27*1.5	2
19	bushing d27	2
20	spindle	2
21	pin	1
22	spring for shaft d25	2
23	spindle washer d22	2
24	spindle	1
25	baffle	4
26	bolt M6*20	8
27	washer d6	8
28	protective piece	2
29	spring	4
30	washer d10	12
31	nut M10	4
32	washer d6	4
33	multiple bush	4
34	idler wheel	4
35	spring for spindle n20	4
36	moveable arms weld	2
37	inner hexangular bolt M10*20	8
38	spring washer d10	8
39	left(right)syrinx weld	2
40	baffle weld	4
41	kick pump	1
42	hydraulic pipe	1
43	hydraulic cylinder	1
44	bushing	2



# PARTS DIAGRAM (PUMP)



# **PARTS LIST**

<b>Part #</b>	<b>Description</b>	<b>QTY</b>	<b>Part #</b>	<b>Description</b>	<b>QTY</b>
1	Bolt Cap	1	45	Washer	2
2	Air Inlet Bolt	1	46	Body	1
3	Washer	1	47	Cover Sheet	1
4	O-Ring	5	48	C-Ring	1
5	Rubber Ball	1	49	Nut	1
6	Pneumatic Body	1	50	Pull Rod	1
7	O-Ring	1	51	Tube	1
8	C-Ring	1	52	Nut	1
9	Inner Six Angle Bolt	5	53	Rubber Cover	1
10	Spring Washer	8	54	Cylinder Lid Nut	1
11	Plate	1	55	O-Ring	1
12	Washer	1	56	Six Angle Screw	1
13	O-Ring	2	57	O-Ring	1
14	Seal	2	58	Oil Fill Screw	1
15	Pneumatic Piston B	1	59	Oil Drain Bolt	1
16	Check Valve Unit	1	60	Backup Ring	2
17	U-Seal	1	61	Oil Drain Sleeve	1
18	O-Ring	1	62	Filter	1
19	Pneumatic Piston A	1	63	C-Ring	1
20	Screw	2	64	Filler Plug	1
21	Spring	1	65	E-Ring	1
22	Rod	1	66	Backup Ring	1
23	Washer	1	67	O-Ring	2
24	Aluminum Block	1	68	Spring	1
25	O-Ring	1	69	Steel Ball	1
26	Spring	1	70	Guide Valve	1
27	Pin	1	71	Steel Ball	1
28	O-Ring	1	72	Steel Ball Bowl	1
29	Washer	1	73	Spring	1
30	O-Ring	1	74	Safety Valve Body	1
31	Poppet Guide	1	75	O-Ring	1
32	Base Plate	1	76	Low Pressure Adjust Screw	1
33	Inner Six Angle Bolt	3	77	Pressure Adjust Screw	1
34	Pressure Plate	1	78	Screw Sleeve	1
35	Cylinder	1	79	Steel Ball	1
36	Air Release Valve Unit	2	80	Location Sleeve	1
37	O-Ring	2	81	Washer	1
38	C-Ring	1	82	O-Ring	1
39	Hydraulic Cylinder Cap	1	83	Spring	1
40	Guide Cylinder	1	84	Steel Ball Bowl	1
41	Back-Up Ring	1	85	Steel Ball	1
42	U-Seal	1	86	Pressure Relief Valve	1
43	Washer	1	87	Pin	1
44	Hydraulic Cylinder	1	88	Washer	2

## **PARTS LIST CONTINUED**

<b>Part #</b>	<b>Description</b>	<b>QTY</b>
89	Spring	2
90	O-Ring	1
91	Pin	1
92	Pin	1
93	Return Oil Screw Sleeve	1
94	Rolling Ball	1
95	Foot Pedal	1



## LIMITED WARRANTY

The **Titan 2 Post lifts, 4 Post lifts and Bridge Jacks** are backed by a standard **1-year** replacement parts warranty and a **5-year** structural warranty from the date of purchase, to the original purchaser only. The **1-year** replacement parts warranty covers power units, hydraulic cylinders, and all other assembly components such as, but not limited to: turn plates, slip plates, cables, chains, valves, switches etc. This does not cover normal wear items such as, but not limited to: rubber lifting pads and nylon slide blocks. Titan Elite model lifts have been discontinued but still qualify under the same terms as shown above.

**Titan Master Series, SL-6600 Scissor Lifts and PREMIER Series 2 Post Lifts** are backed by a **2-year** replacement parts warranty and a **5-year** structural warranty from the date of purchase, to the original purchaser only. The **2-year** replacement parts warranty covers power units, hydraulic cylinders, and all other assembly components such as, but not limited to: valves, switches, capacitors etc. This does not cover normal wear items such as, but not limited to: rubber lifting pads, nylon slide blocks and rubber arm pads. **Titan Master Series** includes lifetime warranty on nylon slide blocks.

**Titan MRL-6000 Scissor lifts** are backed by a standard **1-year** replacement parts warranty and a **5-year** structural warranty from the date of purchase, to the original purchaser only. The **1-year** replacement parts warranty covers power units, hydraulic cylinders, and all other assembly components such as, but not limited to: valves, switches, capacitors etc. This does not cover normal wear items such as but not limited to rubber lifting pads.

**Titan ROT-4500 Rotisseries** are backed by a standard **1-year** replacement parts warranty from the date of purchase, to the original purchaser only. The **1-year** replacement parts warranty covers components such as, but not limited to: hydraulic cylinders, caster assemblies, bearings etc. This does not cover normal wear items such as, but not limited to, mounting adapters.

**Titan Standard Duty and Heavy Duty motorcycle lifts** are backed by a standard **1-year** replacement parts warranty from the date of purchase, to the original purchaser only. The **1-year** replacement parts warranty covers power units, hydraulic cylinders, pneumatic cylinders, and all other assembly components such as, but not limited to: cables, caster wheels, valves, switches, wheel vises etc. This does not cover normal wear items such as, but not limited to: rubber wheel vise pads.

**Titan Light Duty motorcycle lifts** are warranted for replacement parts only to the original purchaser for a period of **90 days** from the date of purchase. This **90 day** replacement parts warranty covers items such as, but not limited to: hydraulic cylinder, casters, pedal assemblies, wheel vises etc. This does not cover normal wear items such as, but not limited to: rubber wheel vise pads.

**Titan Bulldog Moto Cradle Wheel Chock** is warranted for replacement parts, only to the original purchaser, for a period of **2-years** from the date of purchase.

**XL Tool by Titan Wheel Service Machines and Helper Arm Assemblies** are backed by a standard **1-year** replacement parts warranty from the date of purchase, to the original purchaser only. The **1-year** replacement parts warranty covers internal boards, motors, pneumatic cylinders, and all other assembly components such as, but not limited to: cabinet, switches, valves, fittings etc. This does not cover normal wear items such as but not limited to: rubber pads, jaw protectors, air hoses, quick nut assemblies.

**Titan shop equipment products and accessories** are warranted for replacement parts only to the original purchaser for a period of **90 days** from the date of purchase. This **90 day** replacement parts warranty covers products such as but not limited to: EZ -Mover Jacks, Mini Jacks, tie down products, wheel service accessories, Bulldog Moto Cradle Wheel Chock accessories, dollies, stands, Multi-purpose Jacks, replacement power units purchased as stand alone units, etc.

**Titan TJ1T, FJ2T, and FJ3T** are warranted for replacement parts only to the original purchaser for a period of **1 year** from the date of purchase.

**All non-serialized items** will require proof of purchase in the form of a sales receipt from an authorized Titan Lifts dealer showing the date of purchase for any warranty consideration.

For **all** warranty considerations, Titan Marketing, LLC will supply replacement parts only during the warranty period. The original purchaser is responsible for all shipping, handling, and any labor charges incurred. Hydraulic/Pneumatic cylinders may qualify for exchange under warranty if reported within the first 30 days from date of sale. After the first 30 days from date of sale, a seal kit and installation instructions will be sent for cylinder repairs. All defective parts must be returned to Titan for inspection and examination. Any parts that are found to be defective will be replaced or repaired to proper working order. Other items not listed above may be considered general wear parts and therefore, will not be covered under warranty. These warranties **do not** extend to **defects** caused by ordinary wear, abuse, misuse, shipping damage, improper installation, voltage or lack of required maintenance. Titan Marketing, LLC is **not** to be held responsible for any **failure** that results from an accident, purchaser/operator abuse, neglect, or failure to operate products in accordance with instructions provided in the owner's manual(s) supplied. Damage caused by rain, excessive humidity, corrosive environments or other contaminants are not covered under warranty. **THESE WARRANTIES DO NOT EXTEND TO ANY COSMETIC DEFECT NOT INTERFERING WITH EQUIPMENT FUNCTIONALITY OR ANY INCIDENTAL, INDIRECT, OR CONSEQUENTIAL LOSS, DAMAGE, OR EXPENSE THAT MAY RESULT FROM ANY DEFECT, FAILURE OR MALFUNCTION OF A TITAN MARKETING LLC PRODUCT OR THE BREACH OR DELAY IN PERFORMANCE OF THE WARRANTY.**

**P.O. Box 7069 • Greenwood, IN 46142 • Ph. 888-908-4826 • Fx. 317-215-2770 • www.titanlifts.com**

# WARRANTY REGISTRATION

In order to utilize the warranty on this Titan Lifts product, you must register your product with us. The simplest way to do this is to visit [TITANLIFTS.COM/WARRANTIES](https://www.titanlifts.com/warranties) and submit your information online. If you prefer to send your information through the mail, please fill out the form below and send this page to us at :

**Titan Lifts  
PO Box 7069  
Greenwood, IN 46142**

EQUIPMENT MODEL: \_\_\_\_\_ SERIAL NUMBER: \_\_\_\_\_  
TYPE OF POWER UNIT: \_\_\_\_\_ SERIAL NUMBER: \_\_\_\_\_  
DATE OF PURCHASE: \_\_\_\_\_  
PLACE PURCHASED: \_\_\_\_\_  
NAME: \_\_\_\_\_  
STREET: \_\_\_\_\_  
CITY, STATE, ZIP: \_\_\_\_\_  
PHONE: \_\_\_\_\_  
EMAIL: \_\_\_\_\_

OPT OUT OF PROMOTIONS



In order to receive your warranty, return this card or visit [TITANLIFTS.COM/WARRANTIES](https://www.titanlifts.com/warranties) within 30 days.







## **WARNING**



The warnings, precautions and instructions in this manual cannot cover all possible conditions and situations that may occur. The operator must understand that the operator must supply common sense and examine caution factors when using this product to determine safety in all circumstances being used.



**TITAN MARKETING, LLC**

PO Box 7069 Greenwood, IN 46142  
1.888.908-4826 FAX (317) 215.2770  
[www.titanlifts.com](http://www.titanlifts.com)

**1/4/24**